



LED work light in slim design

Compact construction and flexible in use



LED work light with enormous flexibility and power

Slim, compact and high durability

Effective lighting of the area combined with a more compact design

A new reversing and work light range from ERMAX with a slim, oblong, compact design that can be flexibly positioned on the vehicle thanks to its slimline design, and angled or rotated as required.

The ERMAX program of reversing and work lights meets the highest requirements for quality, functionality and reliability. The innovative LED technology ensures long lifetime, energy-efficiency and maximum performance. Repairs and downtime are reduced to an absolute minimum.

The materials used meet all requirements with regard to high stability and are resistant to impact, vibration, dirt and moisture.



Lumen 2,700



Lumen 3,600

ERMAX work lights - why?

1 The latest light and LED technology

High lighting power and homogeneous light spread. The latest diodes - less heat generated and longer lifetime.

2 Tough lens

Tough, impact-resistant lens, made of polycarbonate, sealed into the housing.

3 Clear lens

Less loss between theoretical and effective lumen, thanks to the clear lens.

4 Can be placed and used anywhere

The slim, compact design gives max. flexibility in terms of where they can be mounted, including in tight spaces.

5 Approved as reverse light (ECE-R23)

The market's toughest light with reverse light approval (the 380 series) - for vertical mounting and a 48° tilt angle.

Standard program with enormous flexibility

Work safer and more productively in clear light

Long, compact design, universal use and lots of connection options

ERMAX reverse and work lights are available with different connection options. The cable length for variants with sockets or plugs can be adjusted using extension cables and adapter cables from our standard program.



500 mm cable with open end



1,000 mm cable with Super-Seal plug



300 mm cable with Super-Seal socket



With integrated Deutsch socket (DT2)

6 Surface treatment

Robust surface treatment including holes and on threads. Protects aluminium parts from corrosion.

7 Effective heat dispersion

The housing's effective cooling fins permit maximum lighting effect, regardless of running time and ambient temperature.

8 Pressure equalisation

Integrated valve for equalising pressure in the housing - optimum tightness.

9 Polarity protection

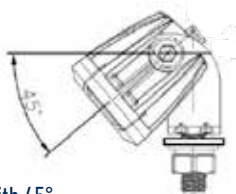
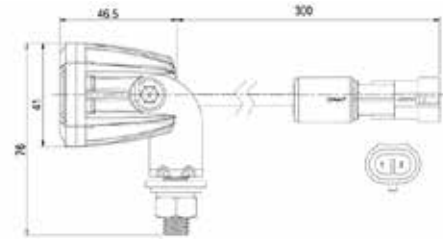
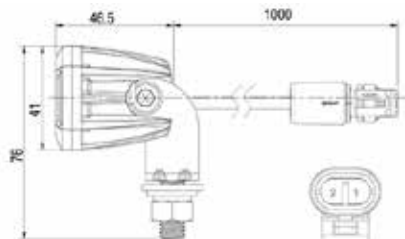
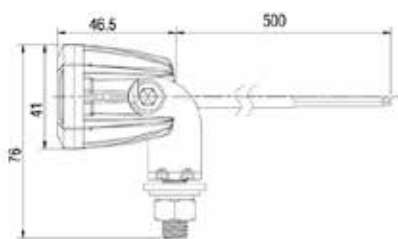
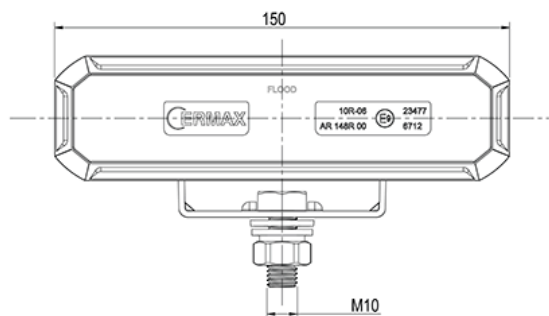
Protected against reverse polarity.

10 First class, approved quality.

All products are subject to our strict quality criteria and test methods to be able to guarantee high product quality.

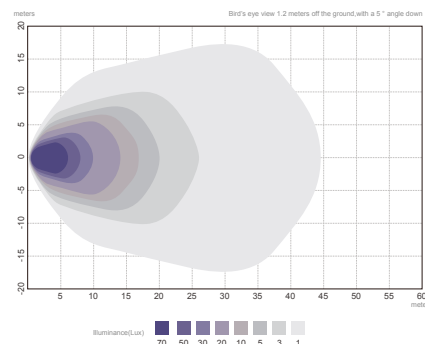
LED work light 12/24V - 6 diodes

Theoretical Lumen: 2.700



Approved as reverse light with 45° tilt angle mounted vertically

Light pattern



Description

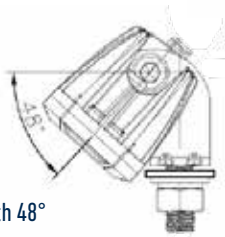
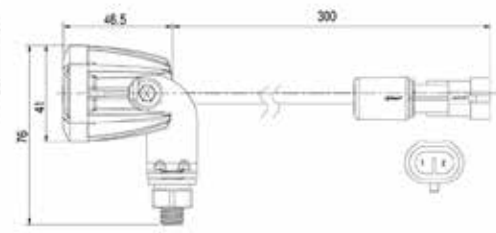
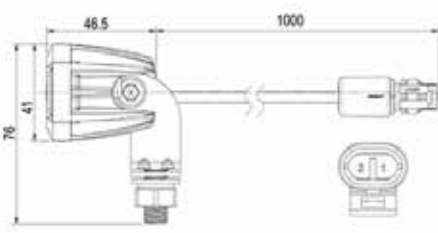
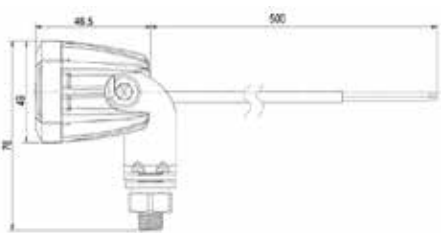
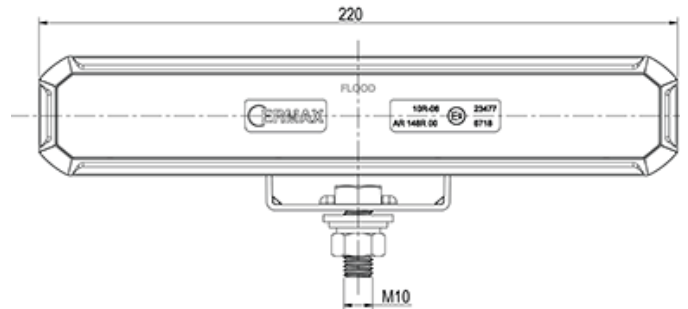
Lens:	Impact-resistant polycarbonate	Working temperature:	-40°C to + 65°C
Housing:	Aluminium	IP Rating:	IP69K
Colour temperature:	6500K	Mounting bracket in stainless steel with polycarbonate washer	
Dimensions, W x H x D:	150 x 41 x 46 mm	Wire colours:	
Light height, total:	54 mm	Brown = minus	
Bolt size:	22 mm/M10	Blue = +	
Width bracket:	63 mm		



Voltage	Con- sumption	Connection	Cable length	Light source	Lumen, theoretical/effective	Light pattern	Item no.
12/24 V	30 W	Open end	500 mm	6 High Power LEDs	2.700 / 2.000	Flood	098 174 360
12/24 V	30 W	Super-Seal plug	1,000 mm	6 High Power LEDs	2.700 / 2.000	Flood	098 174 364
12/24 V	30 W	Super-Seal socket	300 mm	6 High Power LEDs	2.700 / 2.000	Flood	098 174 365
12/24 V	30 W	Integrated Deutsch (DT2) socket	--	6 High Power LEDs	2.700 / 2.000	Flood	098 174 367

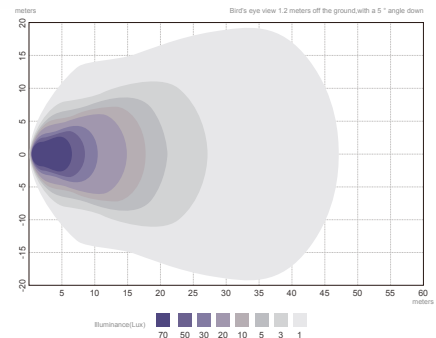
LED work light 12/24V - 8 diodes

Theoretical Lumen: 3.600



Approved as reverse light with 48° tilt angle mounted vertically

Light pattern



Description

Lens:	Impact-resistant polycarbonate	Working temperature:	-40°C to + 65°C
Housing:	Aluminium	IP Rating:	IP69K
Colour temperature:	6500K	Mounting bracket in stainless steel with polycarbonate washer	
Dimensions, W x H x D:	220 x 41 x 46 mm	Wire colours:	
Light height, total:	54 mm	Brown = minus	
Bolt size:	22 mm/M10	Blue = +	
Width bracket:	63 mm		



Voltage	Con- sumption	Connection	Cable length	Light source	Lumen, theoretical/effective	Light pattern	Item no.
12/24 V	40 W	Open end	500 mm	8 High Power LEDs	3.600 / 2.700	Flood	098 174 380
12/24 V	40 W	Super-Seal plug	1,000 mm	8 High Power LEDs	3.600 / 2.700	Flood	098 174 384
12/24 V	40 W	Super-Seal socket	300 mm	8 High Power LEDs	3.600 / 2.700	Flood	098 174 385
12/24 V	40 W	Integrated Deutsch (DT2) socket	--	8 High Power LEDs	3.600 / 2.700	Flood	098 174 387

A new addition to a strong family

Work light with aluminium housing

LED reverse light 098 256 25x

Lumen 650

Lens: Impact-resistant polycarbonate

Housing: Aluminium

Connection: Open end, Super-Seal socket/plug



LED work light 098 174 25x

Lumen 800

Lens: Impact-resistant polycarbonate

Housing: Aluminium

Connection: Open end, Super-Seal socket/plug



LED work light 098 174 26x

Lumen 1.600

Lens: Impact-resistant polycarbonate

Housing: Aluminium

Connection: Open end, Super-Seal socket/plug, Deutsch DT2 socket

* Tested as reverse light (ECE-R23) with 30° tilt for vertical mounting



LED work light 098 174 27x

Lumen 2.400

Lens: Impact-resistant polycarbonate

Housing: Aluminium

Connection: Open end, Super-Seal socket/plug, Deutsch DT2 socket

* Tested as reverse light (ECE-R23) with 35° tilt for vertical mounting



This work light also comes with a bracket and switch

LED work light 098 174 28x

Lumen 3.200

Lens: Impact-resistant polycarbonate

Housing: Aluminium

Connection: Super-Seal socket, Deutsch DT2 socket



Work light in thermally conductive plastic

LED work light 098 174 26x

Lumen 1.600

Lens: Impact-resistant polycarbonate

Housing: Aluminium

Connection: Open end, Super-Seal socket/plug, Deutsch DT2 socket



Brands of the BPW Group:



April 2023 • Version 1.0



ERMAX A/S
Vranderupvej 2 • DK-6000 Kolding
Tel. +45 3969 6800 • www.ermax.dk