



LIGHTING

Spareparts | Accessories

CONTENTS

Introduction - Ermax Lighting Systems	4
Spotlights	7
Warning lights	9
Warning beacons	17
Working lights - Premium	31
Working lights - Economy	47
Tail lights - Trailer	51
Tail lights - Truck	115
License plate lights	123
Direction indicators	129
Sidemarkers & Position lights	133
Outer end marker lights	155
Rear underrun protection bar	167
Junction and Control boxes	181
SIMAC solutions	197
Interior lighting	201
Wide load marker signs	205
Reflex reflectors & warning signs	213
Signs	221
Plugs and adapter cables	225
Lighting sources	231
Bulb holders	233

ERMAX® – YOUR PARTNER FOR COMPLETE LIGHTING SYSTEMS

ERMAX A/S

- develops, manufactures and distributes a wide range of products within lighting, junction boxes and cable systems for commercial vehicles and industrial applications.

A unique set-up with a combination of our factory in Denmark and licensed production with our own tools at a number of selected and exclusively certified partners worldwide, offers an extensive, highly competitive and qualitative range of products.

The Brand - ERMAX®

Founded in 1948 the Ermax® lighting technology has been manufactured for the automotive industry for almost 7 decades.

Ermax is the partner, when it comes to understanding and fulfilling the needs of lighting; with tail lights, warning lights, beacons, side markers or work lights – nowadays bulb, LED as well as in hybrid technologies. These lighting components are being offered within a complete solution concept of ADR approved

cables and, where required, junction boxes as well as mounting hardware. All cable sets are configured with multiple connector types to ensure the best lifetime service ability.

Why Ermax® Lighting Systems ?

Partnership through quality, reliability and competence.

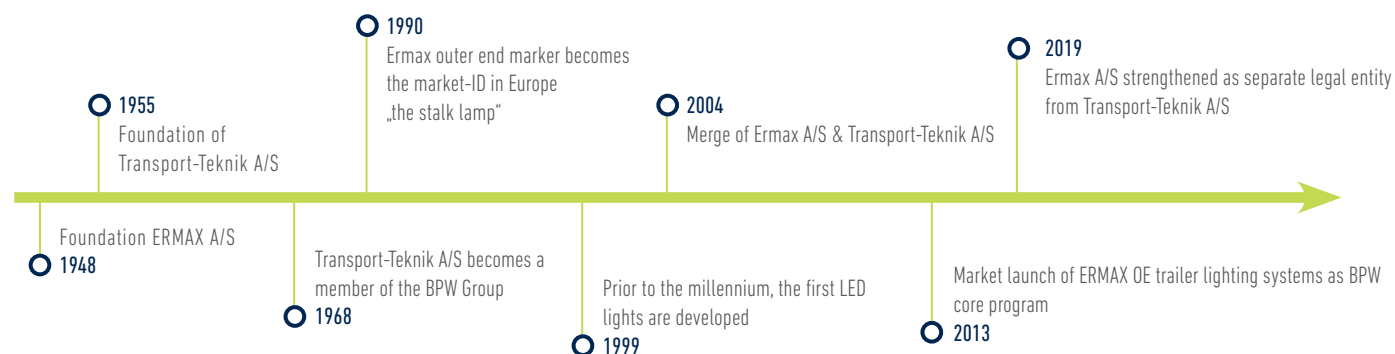
Our competence in partnering with you, is our extensive experience in being an OEM partner with quality and on time delivery as daily focus to ensure expectations and execution match entirely with your requirements.

All our products hold the necessary certifications for E-marking, IP-protection, ADR-approval and design predecions to ensure exclusive design and durability as well as non-violation of patents.

With reliable and planned processes you will reach your goal safely with us as partner.



ERMAX A/S, Kolding, Denmark



DISTRIBUTION NETWORK WORLDWIDE

Always close to you

As a member of the BPW Group, which operates worldwide, we have an unique sales and distribution network with local offices and support for the benefit of all our business partners.



SOLUTIONS - AS INDIVIDUAL AS YOUR TASKS AND REQUIREMENTS

As ERMAX customer you will achieve the following

- High quality for every area
- Vehicle-customised solutions
- Focus at the newest technology and innovative products with recognisable design
- Production companies with development competence under one roof
- Europe-wide after-sales-servicenet

ERMAX lighting systems

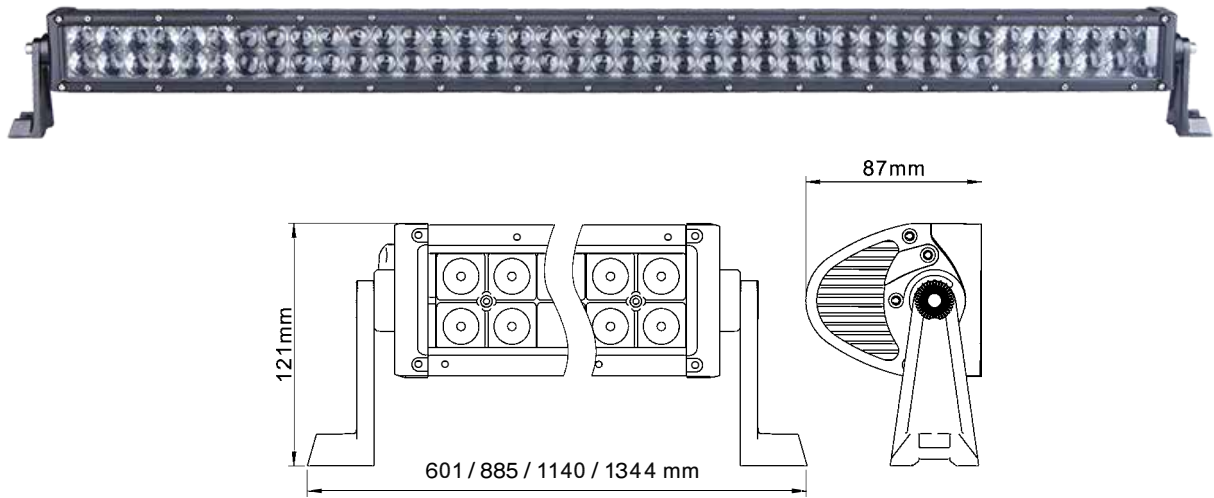
- Wide palette including cables, plugs and lights – all built according to customer requirements
- LED and SIMAC control unit built-in tail light
- ADR approved cable kits with 7 poled AMP 1.5 and Super Seal plugs
- Unbeatable, impact resistant and long life solutions

SPOTLIGHTS



Light bar LED - 8.000 - 19.200 Lumen

EMC



Light bar with house in cast aluminum with transparent polycarbonate lens

The light bar can be delivered in 4 different lengths and would be ideal as full-beam for vans and Off-Road vehicles

Working temperature: -45° - +85°C

Operating voltage	IP Rating	Dimension	Lumen Calculated/ Measured	Connection	Cable length	Consumption	Light pattern	Article No.
9-32V	IP67	20" LED Light bar 601 x 87 x 121mm	8.000 / 4496	Open end	300 mm	120W	Flood/spot/combo	098 144 300
9-32V	IP67	30" LED Light bar 885 x 87 x 121mm	12.000 / 6700	Open end	300 mm	180W	Flood/spot/combo	098 144 302
9-32V	IP67	40" LED Light bar 1140 x 87 x 121mm	16.000 / 9040	Open end	300 mm	240W	Flood/spot/combo	098 144 304
9-32V	IP67	50" LED Light bar 1344 x 87 x 121mm	19.200 / 10.800	Open end	300 mm	288W	Flood/spot/combo	098 144 306

WARNING LIGHTS



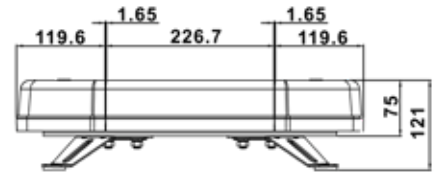
LED light bar

ECE R65

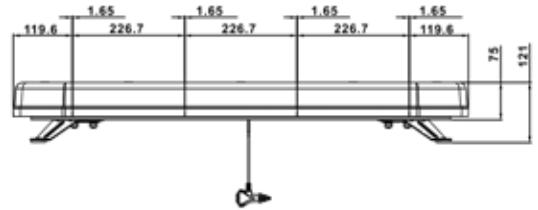
EMC R10



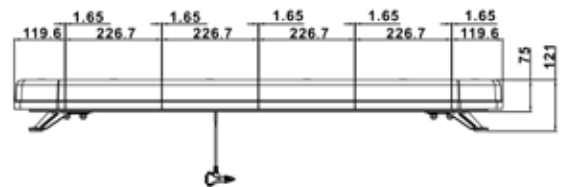
Pos 1



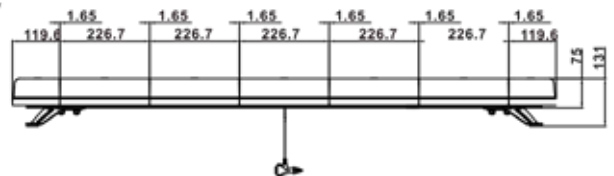
Pos 2



Pos 3



Pos 4



LED Light bars for surface mounting with amber SMD LED
Impact resistant polycarbonate housing and transparent lens

Working temperature: -40°C til +65°C

Mounting: Holder

Flash color	Operating voltage	IP Rating	Connection	Cable length	Lens color	Consumption	Dimension	Light source	Flash patterns	Pos.	Artikel-Nr.
	12/24V	IP67	Cigarette plug	2500 mm	Clear	52W	467 x 305 x 75 mm	68 LED	10	1	098 285 850
	12/24V	IP67	Cigarette plug	2500 mm	Clear	109W	931,5 x 305 x 75 mm	132 LED	10	2	098 285 854
	12/24V	IP67	Cigarette plug	2500 mm	Clear	127W	1148,8 x 305 x 75 mm	164 LED	10	3	098 285 858
	12/24V	IP67	Cigarette plug	2500 mm	Clear	140W	1378,5 x 305 x 75 mm	196 LED	10	4	098 285 859

LED light bar

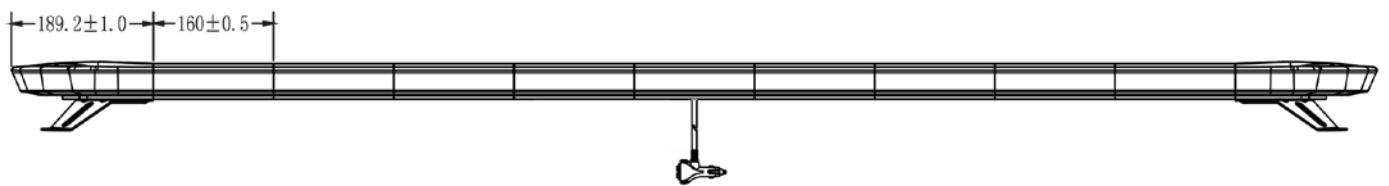
ECE R65 EMC R10



Pos 1



Pos 2



LED Light bars for surface mounting with amber SMD LED
Impact resistant polycarbonate housing and amber lens

Working temperature: -40°C til +65°C

Mounting: Holder

Flash color	Operating voltage	IP Rating	Connection	Cable length	Lens color	Consumption	Dimension	Light source	Flash patterns	Pos.	Artikel-Nr.
Amber	12/24V	IP67	Cigarette plug	2500 mm	Yellow	140W	1378,5 x 305 x 75 mm	196 LED	10	1	098 285 808
Amber	12/24V	IP67	Cigarette plug	5000 mm	Yellow	131W	1822 x 226 x 89,5 mm	184 LED	10	2	098 285 820

Warning lights LED

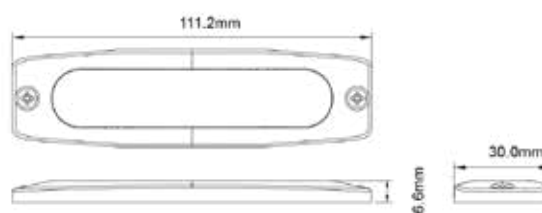
EMC R10



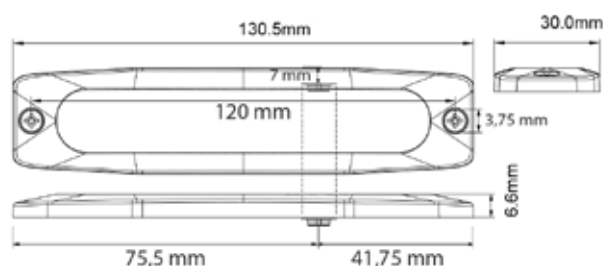
Pos 1



Pos 2



Pos 3



LED Warning lights for surface mounting
 Impact resistant polycarbonate housing and transparent lens
 Working temperature -30°C til +65°C

Built-in- and programming instructions are available: www.ermas.dk

Flash colour	Operation voltage	IP Rating	Connection	Cable length	Bolt hole Distance	Dimension	Light source	Flash pattern	Pos	Article No.
	12/24V	IP68	Open end	200 mm	77,3 mm	88 x 6,6 x 30 mm	3 x LED	12	1	098 286 410
	12/24V	IP68	Open end	200 mm	102 mm	111 x 6,6 x 30 mm	4 x LED	23	2	098 286 412
	12/24V	IP68	Open end	200 mm	122 mm	131 x 6,6 x 30 mm	6 x LED	23	3	098 286 414

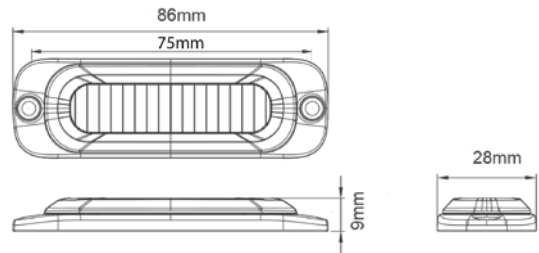
LED Warning lights - Surface mounting

XA1 ECE R65 EMC R10

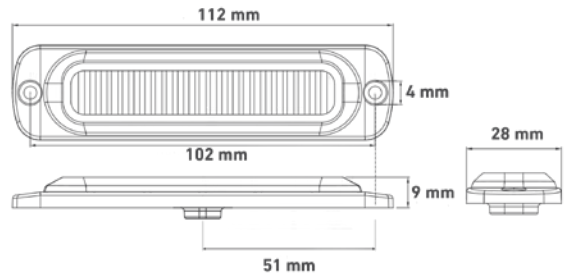


Pos. 1

Pos. 2



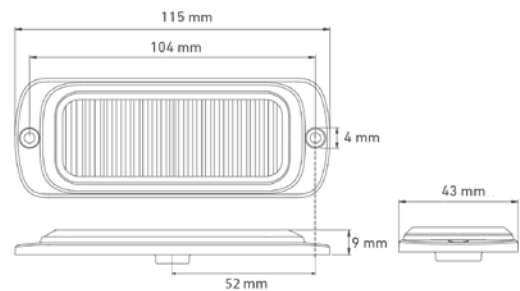
Pos. 3



Pos. 4



Pos. 5



Pos. 6

Description

Lens: Impact resistant clear polycarbonate
 Housing: Impact resistant aluminum
 Working temperature: -30°C to +80°C

Approved for horizontal mounting

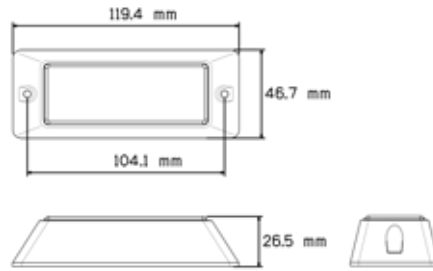
Build-in- and programming instructions are available at: www.ermasonline.dk

Flash colour	Operating voltage	IP Rating	Connection	Cable length	Bolt distance	Dimension	Light source	Flash pattern	Pos.	Article No.
	12/24V	IP69K	Open end	2500 mm	77 mm	86 x 9 x 28 mm	3 x LED	12	1	098 286 444
	12/24V	IP69K	Super Seal socket	250 mm	77 mm	86 x 9 x 28 mm	3 x LED	12	2	098 286 445
	12/24V	IP69K	Open end	2500 mm	102 mm	112 x 9 x 28 mm	6 x LED	19	3	098 286 446
	12/24V	IP69K	Super Seal socket	250 mm	102 mm	112 x 9 x 28 mm	6 x LED	19	4	098 286 447
	12/24V	IP69K	Open end	2500 mm	104 mm	115 x 9 x 43,4 mm	12 x LED	25	5	098 286 448
	12/24V	IP69K	Super Seal socket	250 mm	104 mm	115 x 9 x 43,4 mm	12 x LED	25	6	098 286 449

Warning lights LED (Surface mounting)

ECE R65

EMC R10

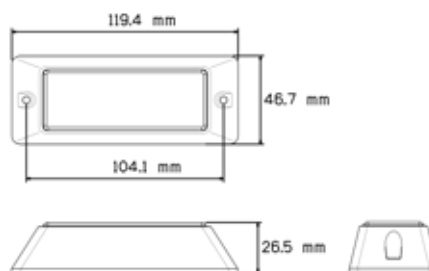


Lens: Impact resistant Polycarbonate
 Housing: Impact resistant Polycarbonate
 Working temperature: -30°C - +50°C

Flash colour	Operation voltage	IP Rating	Connection	Cable length	Bolt hole Distance	Dimension	Light source	Flash pattern	Article No.
	12/24V	IP67	Open end	180 mm	99 mm	110 x 43 x 37 mm	2 x 3 LED	6	098 286 346

Warning lights LED (Surface mounting)

EMC R10

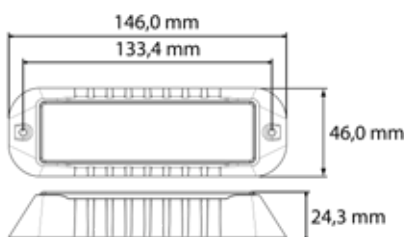


Lens: Impact resistant Polycarbonate
 Housing: Impact resistant Polycarbonate
 Working temperature: -30°C - +50°C

Flash colour	Operation voltage	IP Rating	Connection	Cable length	Bolt hole Distance	Dimension	Light source	Flash pattern	Article No.
	12/24V	IP67	Open end	180 mm	104,1 mm	119,4 x 46,7 x 26,5 mm	3 x LED	12	098 286 736

Warning lights LED (Surface mounting)

EMC



Lens: Impact resistant Polycarbonate
 Housing: Impact resistant Polycarbonate
 Working temperature: -30°C - +50°C

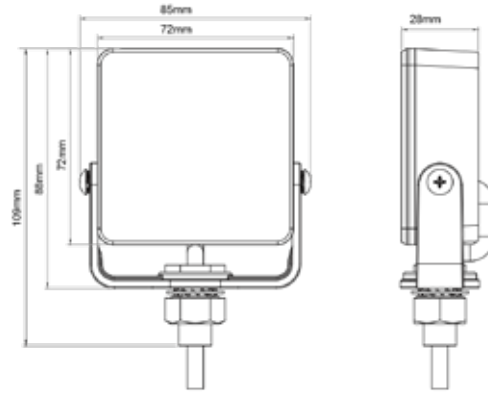
Flash colour	Operation voltage	IP Rating	Connection	Cable length	Bolt hole Distance	Dimension	Light source	Flash pattern	Article No.
	12/24V	IP67	Open end	180 mm	133,4 mm	46 x 46 x 24,3 mm	4 x LED	13	098 286 716

Warning lights LED 12/24V

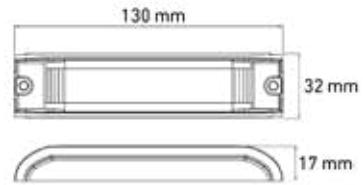
ECE R65 EMC R10



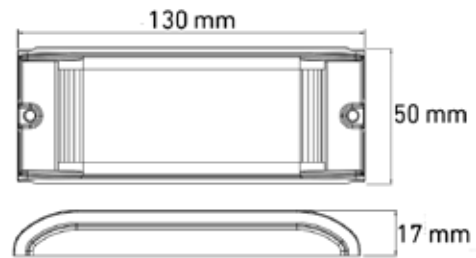
Pos. 1



Pos. 2



Pos. 3



Lens: Impact resistant Polycarbonate
 Housing: Aluminium
 Working temperature: -30°C - +80°C

Built-in- and programming instructions are available: www.ermax.dk

Flash colour	Operation voltage	IP Rating	Connection	Cable length	Loch Mounting	Dimension	Light source	Flash-pattern	Pos.	Article No.
	12/24 V	IP69K	Open end	120 mm	U-bracket with hole Ø13mm	72 x 72 x 28 mm	4 x LED	5	1	098 286 290
	12/24 V	IP66	Open end	250 mm	Bolt distance 117 mm	129 x 17 x 31 mm	6 x LED	15	2	098 286 270
	12/24 V	IP66	Open end	250 mm	Bolt distance 117 mm	129 x 17 x 50 mm	12 x LED	15	3	098 286 288

WARNING LIGHTS / BEACONS



Small, compact and long durability

3 flash patterns all with R65 approval and CISPR 25 class 3 - PREMIUM

The new warning light from ERMAX

The warning light with LED technology convinces with a modern design and robust construction. The compact design of the series is suitable for all kinds of heavy vehicles, guaranteeing visibility and safety.

Whether single flash, double flash or rotating light, all 3 flash patterns can be set in compliance with R65 – unique in Europe!

The mounting possibilities are either surface mounting or pole mounting/DIN. The warning lights are available with orange or transparent lens.

This series is E-approved according to ECE R65 and also approved with CISPR 25 class 3 and ADR - and due to the high degree of electromagnetic compatibility the warning light can be placed anywhere.



Surface mounting



Pole mounting/DIN



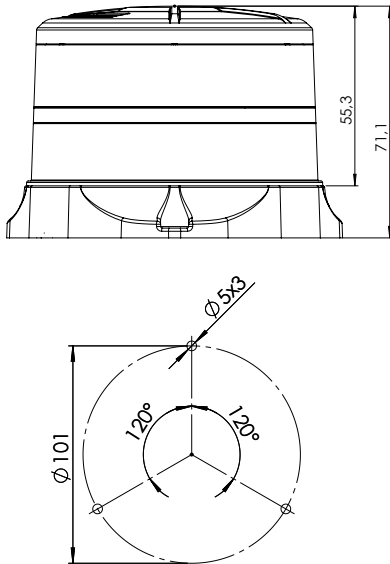
ERMAX warning lights - Why ?

- 1 Newest light and LED technology**
Small and powerful, long durability and an optimum signal picture with a small power consumption..
- 2 Unique design**
Unique reflection with design clear lens and very strong light.
- 3 Long lifetime and durability**
Impact-resistant lens of polycarbonate and housing top of aluminium.
- 4 3 Flash Patterns approved**
All 3 flash patterns with high warning effect are ECE R65 compliant - unique in Europe
- 5 Unique availability**
The compact design offers flexibility in mounting.
- 6 Absorb vibrations**
The flexible pipe socket avoids damages to the lights by impact or collision.
- 4 2 warning signals**
Choose between flashing warning signal or rotating warning signal.
- 6 First-class approved quality**
All products go through our strict quality criteria and testing methods to ensure the high product quality.

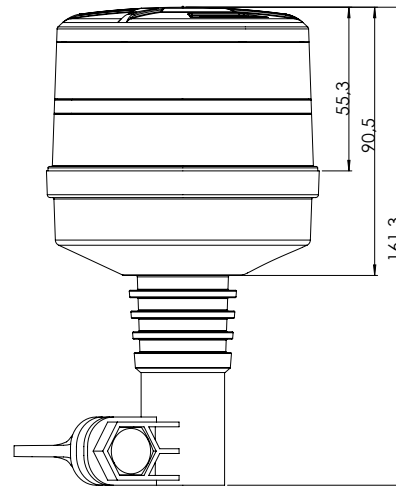
LED Warning lights 12/24V

Technical details - Premium variants with 3 flash patterns, R65 approval and CISPR 25 class 3

Surface mounting



Pole mounting/DIN



Description - Surface mounting

Lens: Impact resistant polycarbonate
 Housing: Impact resistant polycarbonate
 Housing top: Aluminium
 Sealing: EVA
 Light colour: Amber
 Measures Ø x H: Ø115 x 71 mm
 Hole pattern: Ø101 mm / 3 x 87 mm / Ø4,5 mm
 Working temperature: -40°C to +65°C
 IP-Rating: IP6K9K

Description - Pole mounting/DIN

Lens: Impact resistant polycarbonate
 Housing: TPE
 Housing top: Aluminium
 Light colour: Amber
 Measures Ø x H: Ø91 x 161 mm
 Working temperature: -40°C to +65°C
 IP-Rating: IP6K9K

Radio interference (CISPR 25): Klasse 3

ECE R65

EMC

TA1



Mounting	Colour light lens	Connections	Measures	Voltage	Consumption - Max	Flash pattern	Artikel no.
Surface	Transparent glass	500 mm cable open-end Ø6 mm, 3 x 0,75 mm ²	Ø115 x 71 mm	10-30V	27W	3 (R65) Single 480 ms Double 400 ms Rotating 400 ms	098 287 200
Surface	Amber glass	500 mm cable open-end Ø6 mm, 3 x 0,75 mm ²	Ø115 x 71 mm	10-30V	27W		098 287 205
Pole (DIN)	Transparent glass	Integrated plug in the socket, DIN 4165	Ø91 x 161 mm	10-30V	27W		098 287 230
Pole (DIN)	Amber glass	Integrated plug in the socket, DIN 4165	Ø91 x 161 mm	10-30V	27W		098 287 235

Spareparts

Seal - Suitable for 098 287 200 + 098 287 205 without adapter ring

098 295 250

Wenn more flash patterns are needed

10 flash patterns - 1 flash pattern with R65 approval - STANDARD

These 4 variants have similar characteristics as the premium types – the only difference is that this series has a cover of polycarbonate instead of aluminium and has 10 different flash patterns – of these 1 flash pattern with R65 approval.

The warning lights are available with orange or transparent lens and the mounting possibilities are either surface mounting or pole mounting/DIN, and the series are ADR approved. The two types for surface mounting are delivered with an adapter for Ø130 mm hole configuration.



Surface mounting



Adapter ring

10 flash patterns

- ___ Single flash 480ms (Reg. 65 approved)
- ___ Single flash 800ms
- ___ Double flash 400ms
- ___ Double flash 800ms
- ___ Triple flash
- ___ Quad flash
- ___ ISO-fase flash 400ms
- ___ ISO-fase flash 800ms
- ___ Rotating 400ms
- ___ Rotating 800ms



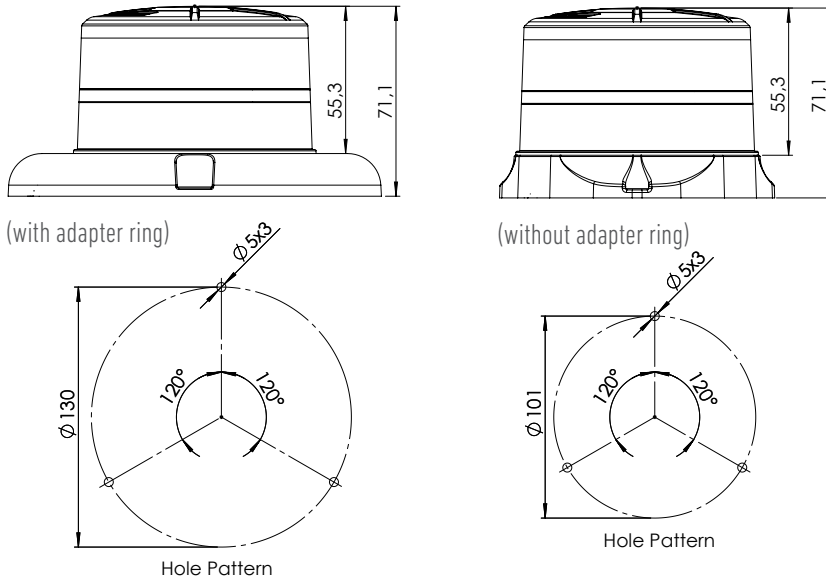
Pole mounting/DIN



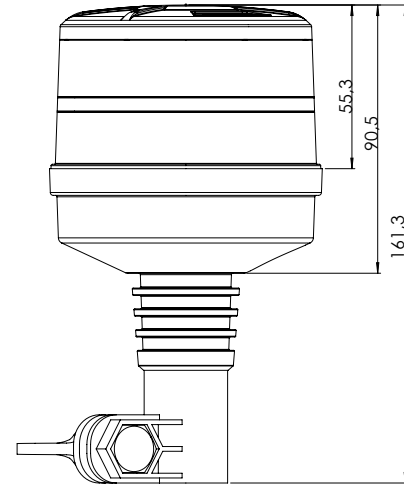
LED Warning lights 12/24V

Technical details - **Standard** variants with 10 flash patterns

Surface mounting



Pole mounting/DIN



Description - Surface mounting with adapter ring

Lens: Impact resistant polycarbonate
 Housing: Impact resistant polycarbonate
 Housing top: Impact resistant polycarbonate
 Sealing: EVA
 Light colour: Amber
 Measures Ø x H: Ø140 x 71 mm
 Hole pattern: Ø130 mm / 3 x 112 mm / Ø4,5 mm
 Working temperature: -40°C to +65°C
 IP-Rating: IP6K9K

Description - Pole mounting/DIN

Lens: Impact resistant polycarbonate
 Housing: TPE
 Housing top: Impact resistant polycarbonate
 Light colour: Amber
 Measures Ø x H: Ø91 x 161 mm
 Working temperature: -40°C to +65°C
 IP-Rating: IP6K9K



Mounting	Colour light lens	Connections	Measures	Voltage	Consumption	Flash pattern	Artikel no.
Surface	Transparent glass	500 mm cable open-end Ø6 mm, 3 x 0,75 mm ²	Ø140 x 71 mm	10-30V	23W	See page 4	098 287 250
Surface	Amber glass	500 mm cable open-end Ø6 mm, 3 x 0,75 mm ²	Ø140 x 71 mm	10-30V	23W		098 287 255
Pole (DIN)	Transparent glass	Integrated plug in the socket, DIN 4165	Ø91 x 161 mm	10-30V	23W		098 287 280
Pole (DIN)	Amber glass	Integrated plug in the socket, DIN 4165	Ø91 x 161 mm	10-30V	23W		098 287 285

Spareparts

The adapter ring makes it possible to adapt the LED beacon to mounting holes Ø130 mm - Measurements, Ø x H: Ø140 x 16 mm Bolt distance: Ø130 mm / 3 x 112 mm / Ø4,5 mm Material: Polycarbonate	098 292 640
Seal - Suitable for 098 287 250 + 098 287 255 with adapter ring	098 295 251
Seal - Suitable for 098 287 250 + 098 287 255, if adapter ring is not used	098 295 250

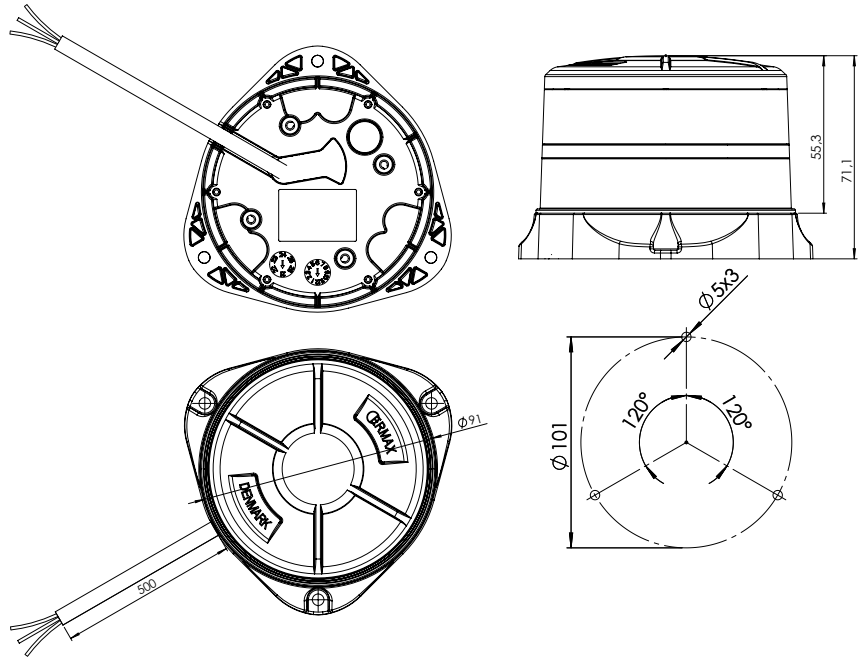
LED Warning lights 12/24V

Technical details and flash pattern selection

Surface mounting

Connection:

- Red: Permanent power supply (+)
- Black: Ground (-)
- Yellow: Choose flash pattern / synchronizing



Choose flash pattern - Surface mounting

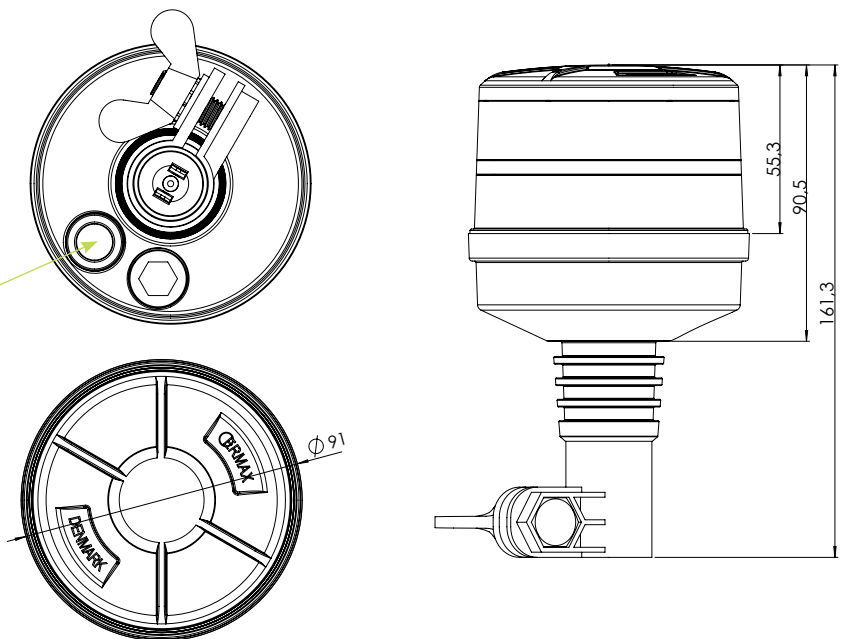
Apply yellow cable to +, hold briefly (0.5-2 sec) and select flash pattern.

To synchronize more lights, all lights must be adjusted to the same flash pattern. Then all yellow cables will be connected to each other.

If the yellow cable is placed at + for more than 2 seconds, the light return to flash pattern 1.

Pole mounting/DIN

Press the bottom in order to change the light pattern



Choose flash pattern - Pole mounting/DIN

To choose flash pattern, press the red bottom shortly (0.5 – 2 sec).

If pressed at the red bottom for more than 2 seconds, the light return to flash pattern 1.

Warning lights LED 12/24V

ECE R65

EMC R10



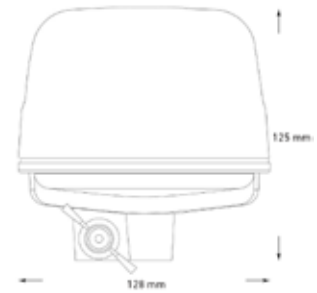
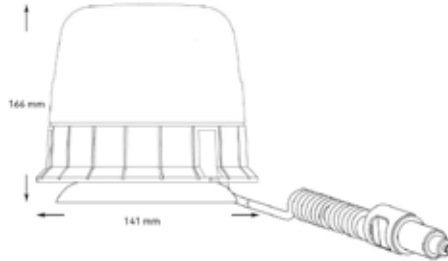
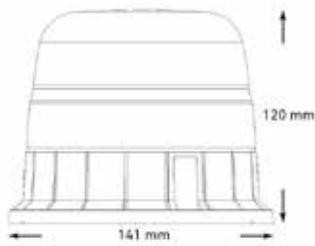
Pos 1



Pos 2



Pos 3



Lens: Polycarbonat
 Housing: Compound Thermoplastik
 Working temperature: -40° C - +60° C
 Colour: orange

Mounting	IP Rating	Connection	Dimension	Operation voltage	Consumption	Pos	Article No.
Flat mounting	IP69	150 mm cable Open end	Ø141 x 120 mm	10-30V	9W	1	098 287 400
Magnetic base	IP56	2.500 mm coil cable with plug	Ø141 x 166 mm	10-30V	9W	2	098 287 420
Pole (DIN)	IP69	Integrated plug in socket	Ø128 x 125 mm	10-30V	9W	3	098 287 410

Warning lights LED 12/24V

ECE R65 EMC R10



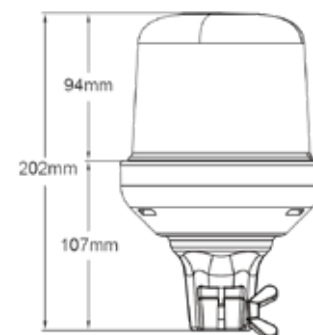
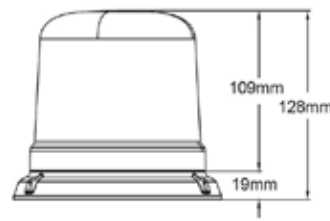
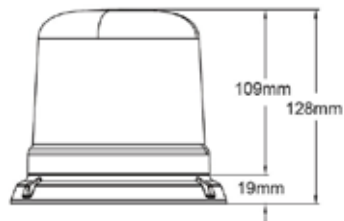
Pos 1



Pos 2



Pos 3



Lens: Polycarbonat
 Housing: Compouno Thermoplastik
 Working temperature: -30° C - +65° C
 Colour: Orange

Installation and programming instructions are available on: www.ermaxonline.dk

Mounting	IP Rating	Connection	Dimension	Consumption (Depending on flash pattern)	Flash pattern	LED Units	Pos	Article No.
Flat mounting	IP66	400 mm cable Open end	Ø142 x 128 mm	21-42W	11	10 x 3W	1	098 287 938
Magnetic base	IP66	3.000 mm coil cable with plug	Ø142 x 128 mm	21-42W	11	10 x 3W	2	098 287 940
Pole (DIN)	IP66	Integrated plug in socket	Ø130 x 202 mm	21-42W	11	10 x 3W	3	098 287 936

Warning lights LED 12/24V

ECE R65

EMC R10



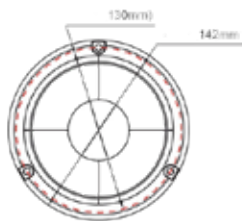
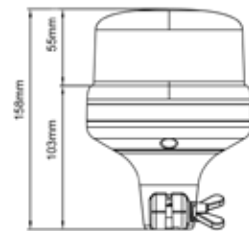
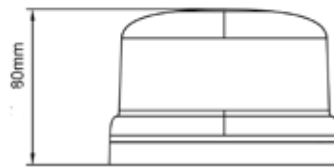
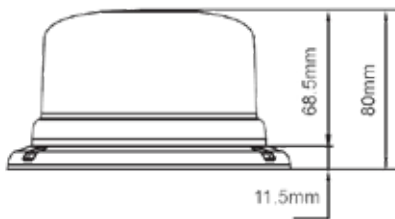
Pos 1



Pos 2



Pos 3



Lens: Polycarbonat
 Housing: Compound Thermoplastik
 Working temperature: -30° C - +65° C
 Colour: Orange

Installation and programming instructions are available on: www.ermasonline.dk

Mounting	IP Rating	Connection	Dimension	Consumption (Depending on flash pattern)	Flash pattern	LED Units	Pos	Article No.
Flat mounting	IP66	400 mm cable Open end	Ø142 x 80 mm	15-30W	11	8 x 3W	1	098 287 944
Magnetic base	IP66	3.000 mm coil cable with plug	Ø142 x 80 mm	15-30W	11	8 x 3W	2	098 287 946
Pole (DIN)	IP66	Integrated plug in socket	Ø130 x 158 mm	15-30W	11	8 x 3W	3	098 287 942

Warning lights LED 12/24V

ECE R65

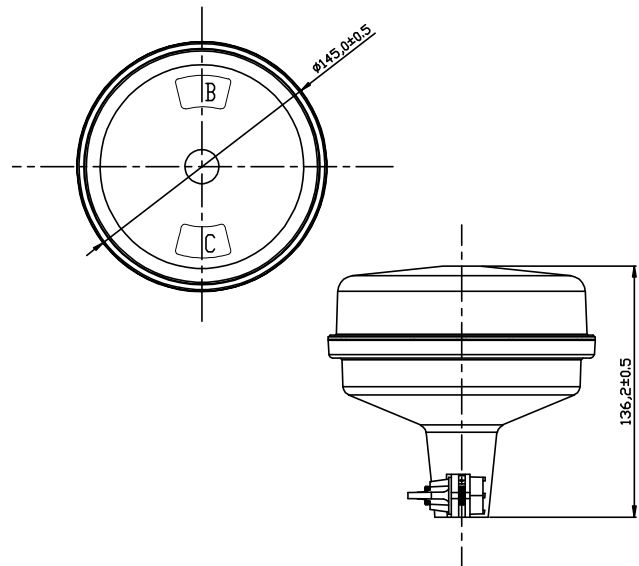
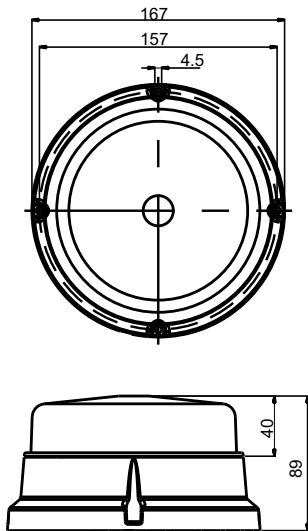
EMC R10



Pos 1



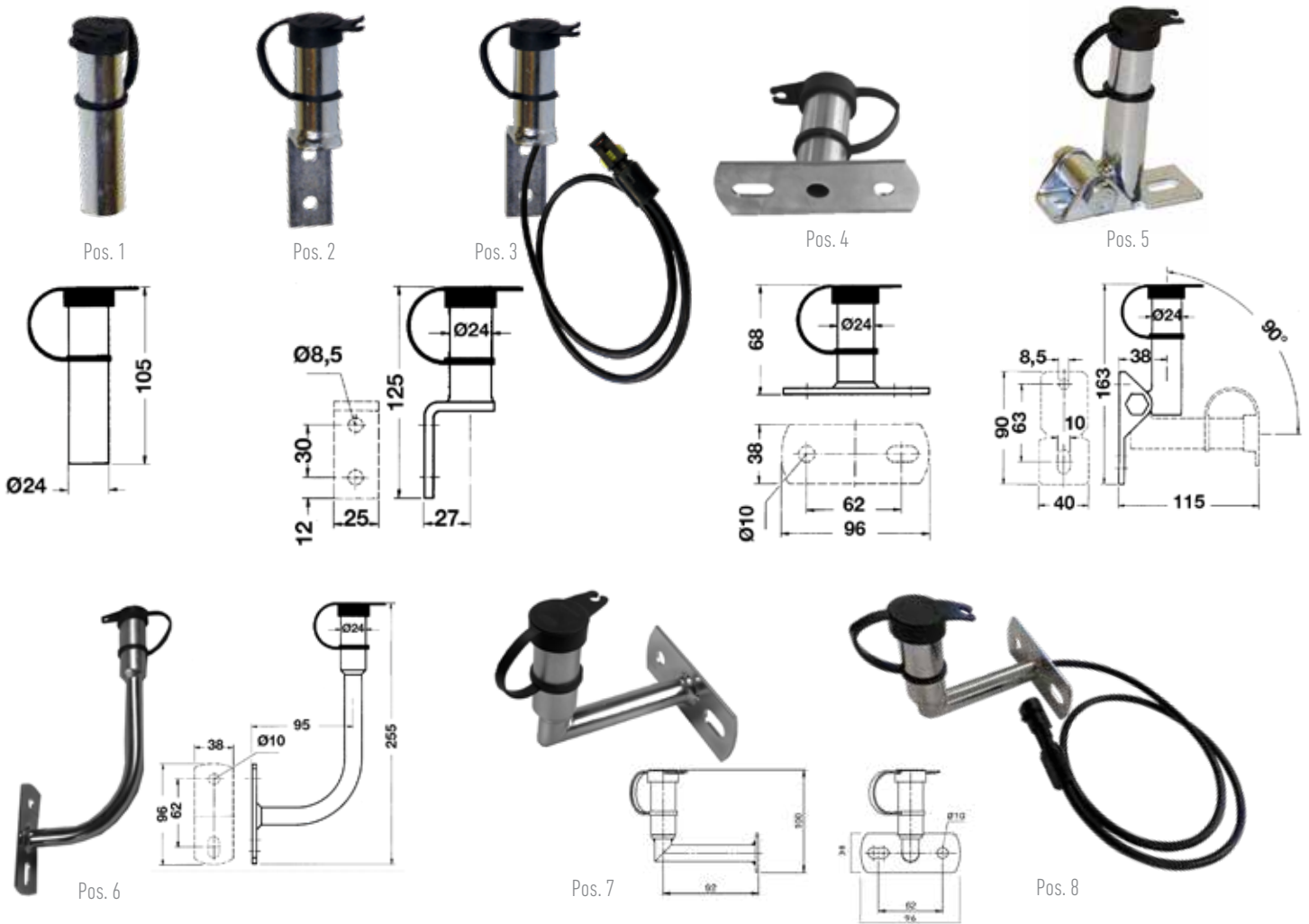
Pos 2



Lens: Polycarbonat
 Housing: Compouno Thermoplastik
 Working temperature: -40° C - +65° C
 Colour: orange

Mounting	IP Rating	Connection	Dimension	Consumption (Depending on flash pattern)	Flash pattern	LED Units	Pos	Article No.
Flat mounting	IP67	400 mm cable Open end	Ø167 x 89 mm	18-36W	10	8 x 3W	1	098 287 330
Pole (DIN)	IP67	Integrated plug in socket	Ø145 x 136,2 mm	18-36W	Single or Redate	12 x 3W	2	098 287 340

Mounting equipment for Warning beacons



Galvanized steel tube and with protection cap

DIN Norm	Form	Mounting	Dimension	Connection	Cable	Pos.	Article No.
DIN 72 591	Straight	-	Ø24 x 105 mm	2 poled socket	--	1	098 295 561
DIN 72 591	Straight	Angled bracket	Ø24 x 125 mm	2 poled socket	--	2	098 295 562
DIN 72 591	Straight	Angled bracket	Ø24 x 125 mm	2 poled socket	950 mm cable with Super Seal plug	3	098 295 595
DIN 72 591	Straight	Flush mounting	Ø24 x 128 mm	2 poled socket	--	4	098 295 564
DIN 72 591	Straight	adjustable bracket	Ø24 x 115 mm	2 poled socket	--	5	098 295 567
DIN 72 591	90° angled	Flush mounting	Ø24 x 255 mm	2 poled socket	--	6	098 295 565
DIN 72 591	90° angled	Flush mounting	Ø24 x 100 mm	2 poled socket	--	7	098 295 583
DIN 72 591	90° angled	Flush mounting	Ø24 x 100 mm	2 poled socket	800 mm cable with Super Seal socket	8	098 295 585

Mounting bracket for rotating beacon



Pos 1



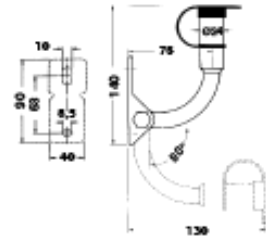
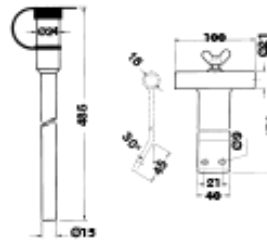
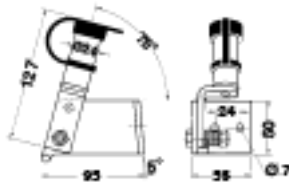
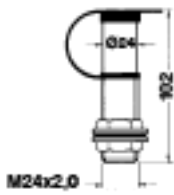
Pos 2



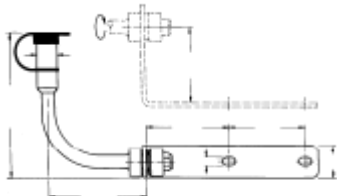
Pos 3



Pos 4



Pos 5



Zinc plated

DIN Norm	Suitable for	Form	Mounting	Dimension	Connection	Protection cap	Pos	Article No.
DIN 72 591	Universal	Straight	With thread	Ø24 x 102 mm	1 pin socket	✓	1	098 295 563
DIN 72 591	Universal	Straight	On tilt bracket	Ø24 x 127 mm	2 pin socket	✓	2	098 295 572
DIN 72 591	Universal	Straight	Long pole	Ø24 x 485 mm mm	2 pin socket	✓	3	098 295 573
DIN 72 591	Universal	90° Adjustable angled	Adjustable bracket	Ø24 x 115 mm	2 pin socket	✓	4	098 295 575
DIN 72 591	New Holland	90° angled	Flush mounting	Ø24 x 140 mm	2 pin socket	✓	5	098 295 576

Mounting bracket for rotating beacon



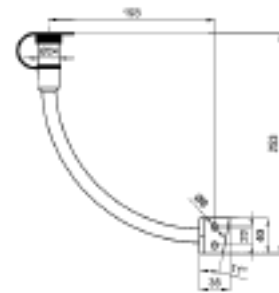
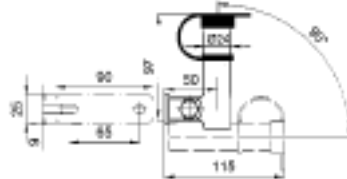
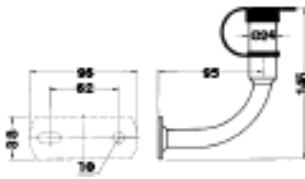
Pos 1



Pos 2



Pos 3



Pos 4

Zinc plated

DIN Norm	Suitable for	Form	Mounting	Dimension	Connection	Protection cap	Pos	Article No.
DIN 72 591	John Deere	90° angled	Horizontal flush mounting	Ø24 x 145 mm	2 pin socket	✓	1	098 295 587
DIN 72 591	Universal	Straight Adjustable	flush mounting	Ø24 x 97 mm	2 pin socket	✓	2	098 295 590
DIN 72 591	John Deere	90° angled	Horizontal flush mounting	Ø24 x 253mm	2 pin socket	✓	3	098 295 592
DIN 72 591	John Deere	90° angled	Vertical flush mounting	Ø24 x 134 mm	2 pin socket	✓	4	098 295 594

Spare parts - Mounting bracket for rotating beacon



Pos 1



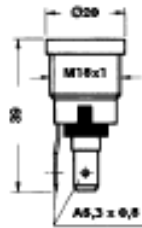
Pos 2



Pos 3



Pos 4



Spare parts

	Pos	Article No.
Socket, 2 pin DIN 72 591	1	098 295 650
Socket, 1 pin DIN 72 591	2	098 295 651
Protection cap	3	098 295 560
Protection cap	4	098 295 599

WORKING LIGHTS

PREMIUM SERIE

Lumen specification

The working lights in the following section are specified with a theoretical and an effective lumen.

The theoretical lumen is the calculated lumen of the light source.

The effective lumen is the light measured outside the lens.



Standard product programme with large flexibility

Compact design, universally applicable and various connection possibilities

ERMAX reversing lights and work lights are available in 3 design types with different light performances / lumen.



LED Reverse light

Lumen:
Theoretical 650 / Effective 300



LED Work light

Lumen:
Theoretical 800 / Effective 600



LED Work light

Lumen:
Theoretical 1600 / Effective 1200

Approved as reversing light (ECE -R23) with 30° angling by vertical mounting



LED Work light

Lumen:
Theoretical 2400 / Effective 1800

Approved as reversing light (ECE -R23) with 35° angling by vertical mounting.



This type is also available with handle and on/off switch.



LED-Arbeitsscheinwerfer

Lumen:
theoretisch 3.200 / effektiv 2.400

Universally applicable

Mounting options

ERMAX working lights have a compact design with measures meaning that they can be mounted in a very narrow place. The compact design and symmetric light distribution give a large degree of flexibility when mounting. The work lights can be standing, hanging, rear or side mounted.

Mounting options ERMAX work lights



Standing



Hanging



Side



Rear



Easy maintenance

Various connection variations

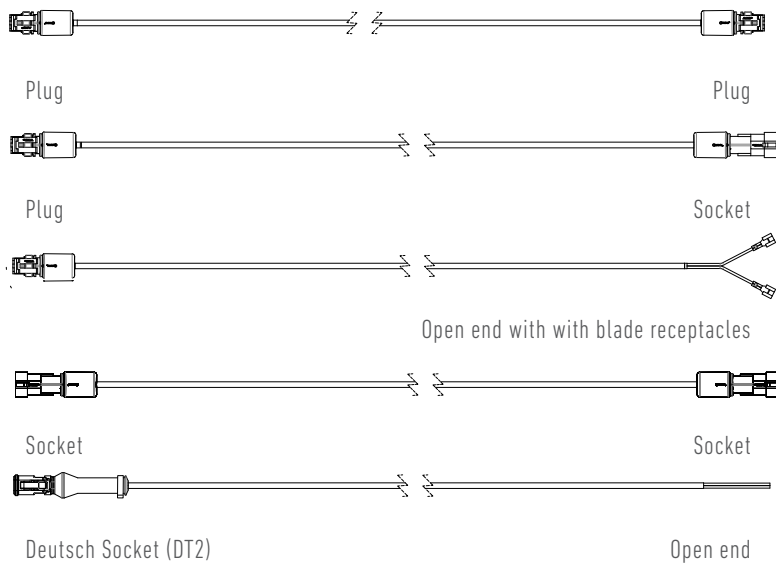
ERMAX work lights are available with various connection variations – connection cable with Open end, Super Seal socket or “Deutsch” socket. For connector variants, Ermax always offers a standard cable length of 300 millimeters to the first plug connection. The cable length can be adjusted according to need by means of standard extension cable or adapter cable. This ensures optimum ease of maintenance. The large variety of cable solutions ensures the best installation without having to adjust the cable length (see page 23-27).

Connection / Extension possibilities ERMAX work lights

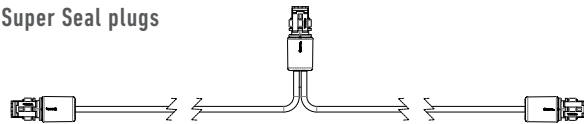


Connection:
 Super Seal socket
 Super Seal plug
 Deutsch socket (DT2)

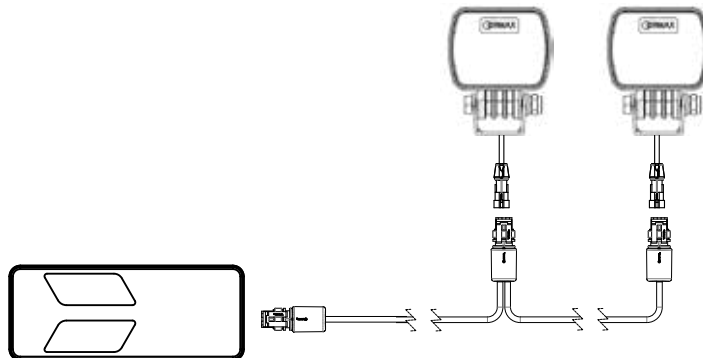
Extension cable with Super Seal connection



Y-Adapter with 3 x Super Seal plugs



Reverse light connected as a chain
 -connected by a side cable with 1 inlet and 2 outlets with Super Seal plugs



2 pieces of Ermax reverse lights or work lights are allowed to be connected to an Ermax tail light (Max 52W)

Technical features ERMAX reverse lights and work lights

Technical specifications - Common to all variants

- Impact-resistant lens made of polycarbonate
- Housing made of aluminium, black lacquer (anti corrosion layers)
- Mounting bracket made of stainless steel, AISI 304 quality
- Mounting bolts M8 / 30 mm
- Multivolt 12/24V
- Working temperature -40 °C bis +65 °C
- Flood light pattern
- Colour temperature 6.500 °Kelvin
- Protection class IP69K
- Overheating and reverse polarity protection
- ADR and EMC/R10 approved
- ECE-R23 approved

Advantages of the newest LED light technology

- which are optimally utilised in the Ermax reverse lights and work lights

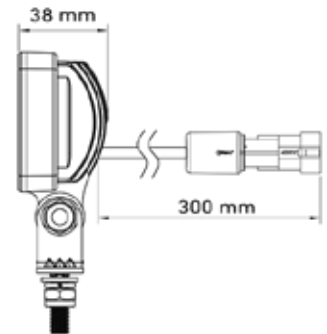
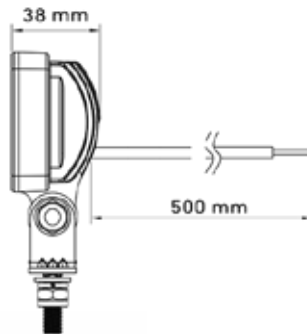
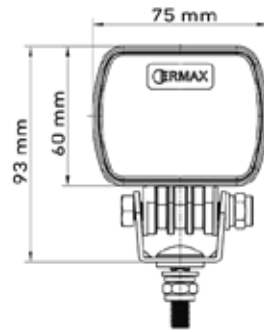
The advantages of the newest LED technology, which are optimally utilised in the ERMAX reverse lights and work lights - result in a product with a very high quality and extremely long life - and thus cost-effectiveness, which is a real highlight.

- High light output
- Extremely long lifetime
- 100% water & dustproof
- Low power consumption
- Maintenance free
- High shock and vibration resistance
- Effective heat conduction
- Increased profitability

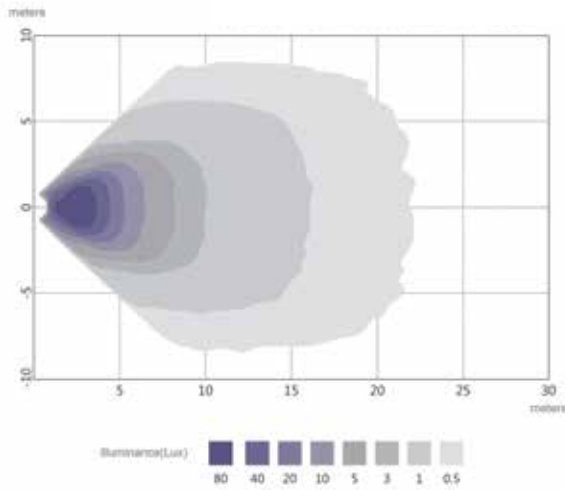


Reverse Light - Housing made of Aluminium

Theoretical Lumen 650



Illumination



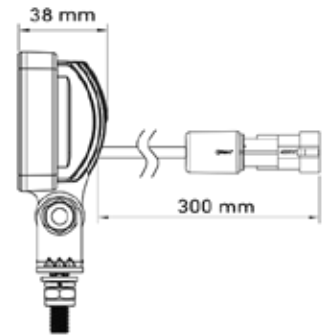
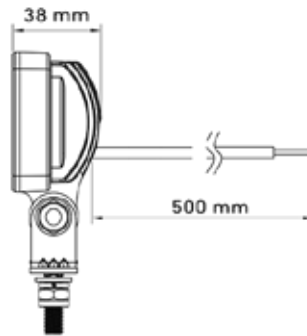
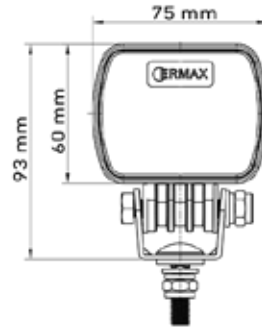
Bird's eye view 1,2 meter above the ground with an incline angle of 5°



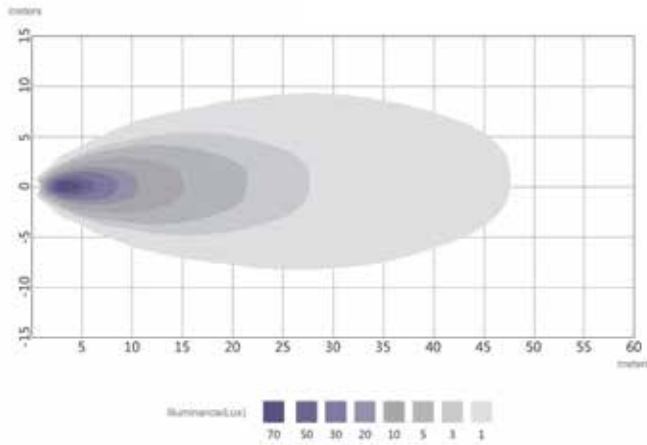
Operating voltage	Energy consumption	Connection	Cable length	Light source	Lumen Theoretical / effective	Light pattern	Article No.
12/ 24 V	6,5 W	Open end	500 mm	6 x high-powered LED	650 / 300	Flood	098 256 250
12/ 24 V	6,5 W	Super Seal plug	300 mm	6 x high-powered LED	650 / 300	Flood	098 256 254
12/ 24 V	6,5 W	Super Seal socket	300 mm	6 x high-powered LED	650 / 300	Flood	098 256 255

Work Lights LED - Housing made of Aluminium

Theoretical Lumen 800



Illumination



Bird's eye view 1,2 meter above the ground with an incline angle of 5°



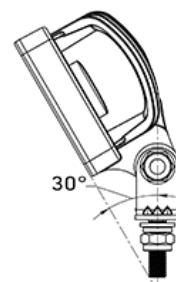
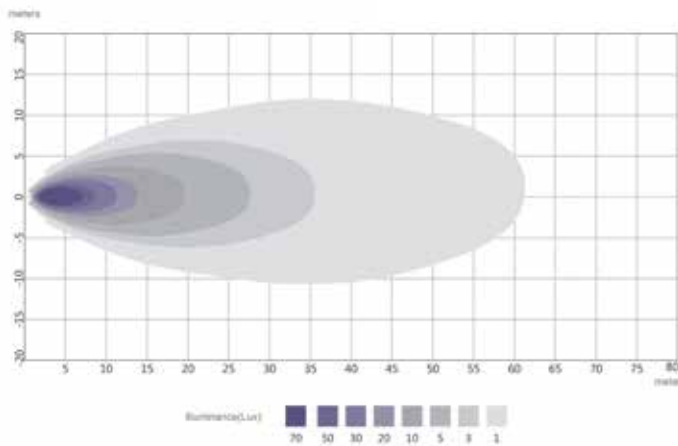
Operating voltage	Energy consumption	Connection	Cable length	Light source	Lumen Theoretical / effective	Light pattern	Article No.
12/ 24 V	8 W	Open end	500 mm	6 high-powered LED	800 / 600	Flood	098 174 250
12/ 24 V	8 W	Super Seal plug	1.000 mm	6 high-powered LED	800 / 600	Flood	098 174 254
12/ 24 V	8 W	Super Seal socket	300 mm	6 high-powered LED	800 / 600	Flood	098 174 255

Work Lights LED - Housing made of Aluminium

Theoretical Lumen 1.600



Illumination



Approved as reverse light
- with 30° tilt when vertical mounted

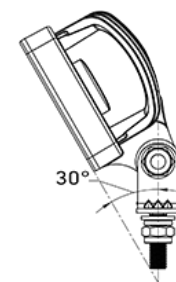
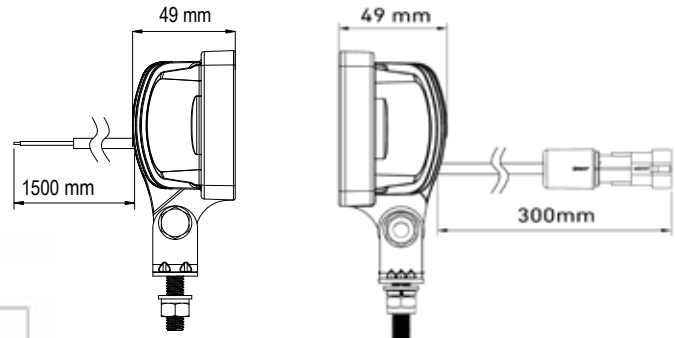
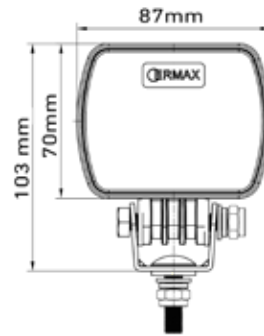
Bird's eye view 1,2 meter above the ground with an incline angle of 5°



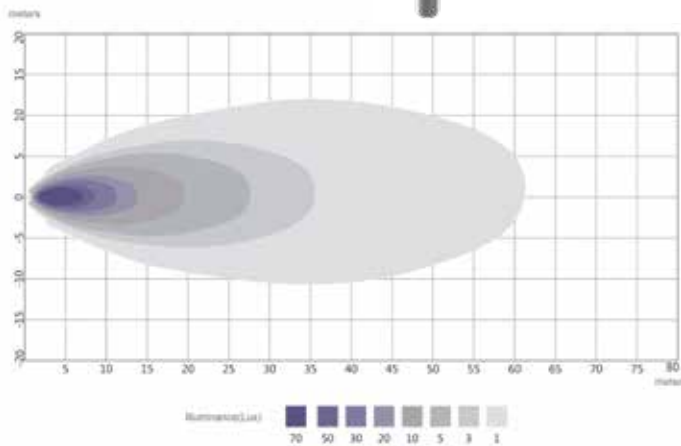
Operating voltage	Energy consumption	Connection	Cable length	Light source	Lumen Theoretical / effective	Light pattern	Article No.
12/ 24 V	16 W	Open end	500 mm	9 high-powered LED	1600 / 1200	Flood	098 174 260
12 / 24 V	16 W	Super Seal plug	1.000 mm	9 high-powered LED	1.600 / 1.200	Flood	098 174 264
12/ 24 V	16 W	Super Seal socket	300 mm	9 high-powered LED	1600 / 1200	Flood	098 174 265
12 / 24 V	16 W	Integrated Deutsch (Dt) socket	--	9 high-powered LED	1.600 / 1.200	Flood	098 174 267

LED Work Lights – Housing made of plastic

Lumen: 1.600



Illumination



Bird's eye view 1.2 metres above the ground with an incline angle of 5°

Approved as reversing light
- with 30° tilt when vertically-mounted

- Particularly suitable for use in corrosive environments
- Housing material: Thermally conductive plastic



Operating voltage	Consumption	Connection	Cable length	Light source	Lumen, theoretical/effective	Light pattern	Article no.
12/24 V	16 W	Open end	1,500 mm	9 x high power LEDs	1,600/1,200	Flood	098 174 290
12/24 V	16 W	Super Seal plug	6,000 mm	9 x high power LEDs	1,600/1,200	Flood	098 174 293
12/24 V	16 W	Super Seal socket	300 mm	9 x high power LEDs	1,600/1,200	Flood	098 174 295
12/24 V	16 W	Integrated Deutsch (DT2) socket	--	9 x high power LEDs	1,600/1,200	Flood	098 174 297

Work Lights LED- Housing made of Aluminium

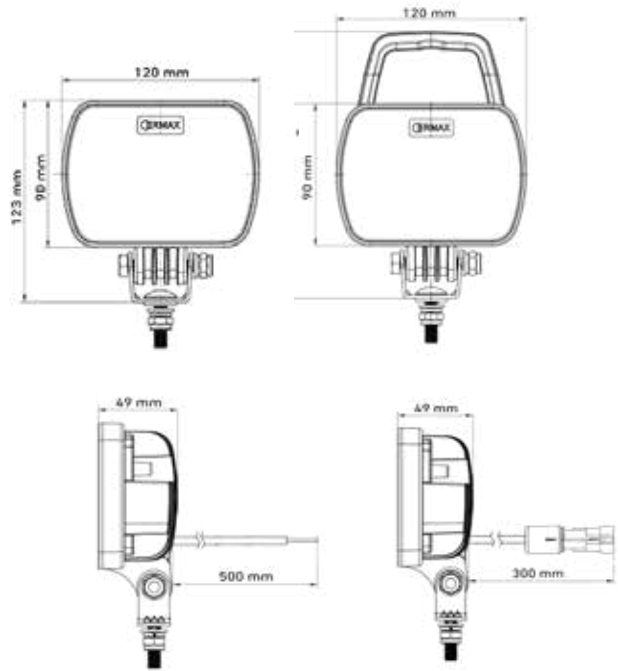
Theoretical Lumen 2.400



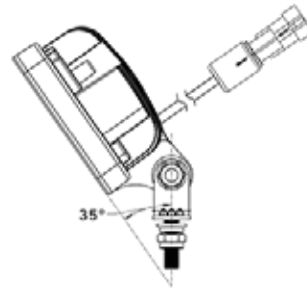
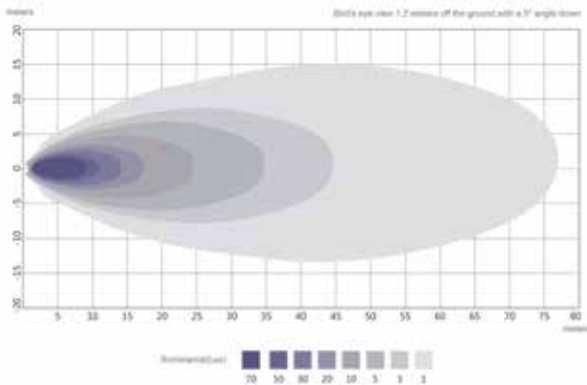
Pos. 1
Without on/off switch



Pos. 2
With bracket and on/off switch



Illumination



Approved as reverse light
- with 35° tilt when vertical mounted

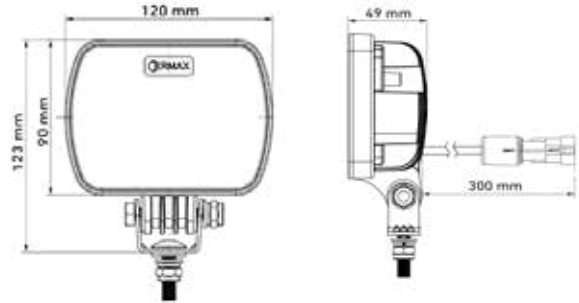
Bird's eye view 1,2 meter above the ground with an incline angle of 5°



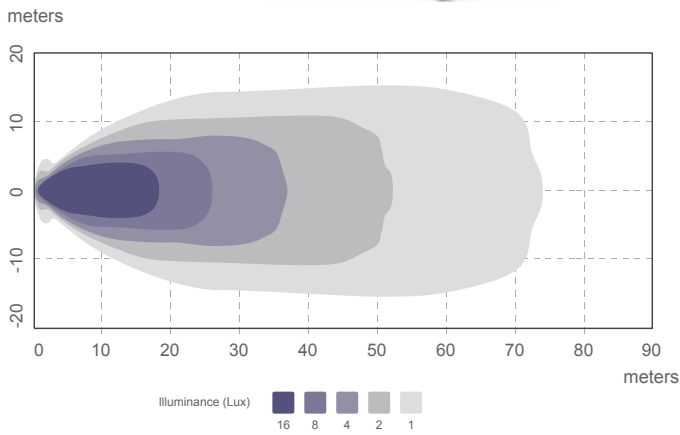
Operating voltage	Energy consumption	Connection	Cable length	Light source	Lumen Theoretical / effective	Light pattern	Pos.	Article No.
12/24V	25 W	Open end	500 mm	12 high-powered LED	2.400 / 1.800	Flood	1	098 174 270
12 / 24 V	25 W	Super Seal plug	1.000 mm	12 high-powered LED	2.400 / 1.800	Flood	1	098 174 274
12/24V	25 W	Super Seal socket	300 mm	12 high-powered LED	2.400 / 1.800	Flood	1	098 174 275
12 / 24 V	25 W	Integrated Deutsch (DT) socket	---	12 high-powered LED	2.400 / 1.800	Flood	1	098 174 277
12/24V	25 W	Super Seal socket - with handle & switch	300 mm	12 high-powered LED	2.400 / 1.800	Flood	2	098 174 279

Work Lights LED- Housing made of Aluminium

Theoretical Lumen 3.200



Illumination



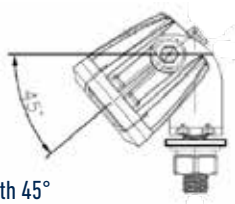
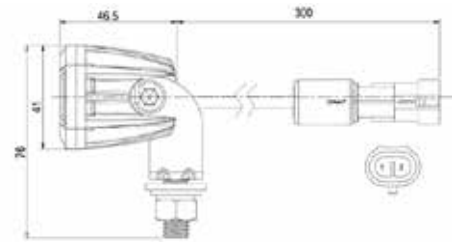
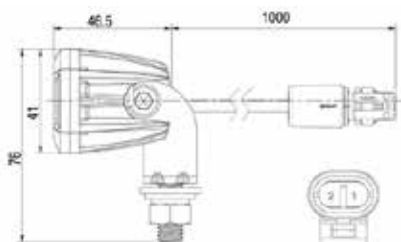
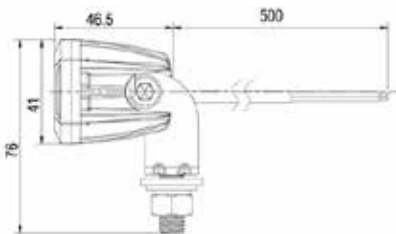
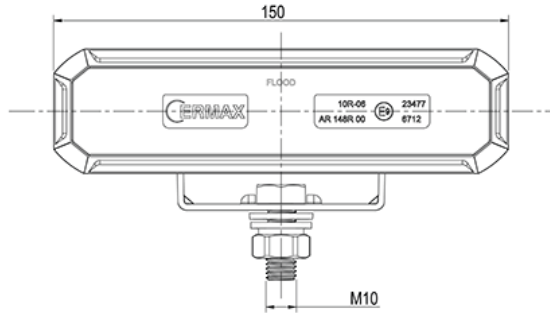
Bird's eye view 1,2 meter above the ground with an incline angle of 5°



Operating voltage	Energy consumption	Connection	Cable length	Light source	Lumen Theoretical / effective	Light pattern	Pos.	Article No.
12 / 24 V	25 W	Super Seal socket	300 mm	12 high-powered LED	3.200 / 2.400	Flood	1	098 174 285
12 / 24 V	25 W	Integrated Deutsch (DT) socket	---	12 high-powered LED	3.200 / 2.400	Flood	1	098 174 287

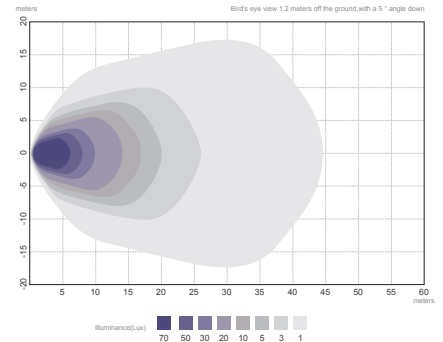
LED work light 12/24V - 6 diodes

Theoretical Lumen: 2.700



Approved as reverse light with 45° tilt angle mounted vertically

Light pattern



Description

Lens: Impact-resistant polycarbonate
 Housing: Aluminium
 Colour temperature: 6500K
 Dimensions, W x H x D: 150 x 41 x 46 mm
 Light height, total: 54 mm
 Bolt size: 22 mm/M10
 Width bracket: 63 mm

Working temperature: -40°C to +65°C
 IP Rating: IP6K9K

Mounting bracket in stainless steel with polycarbonate washer

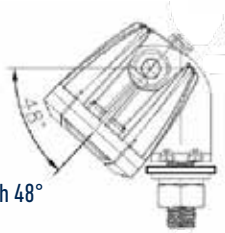
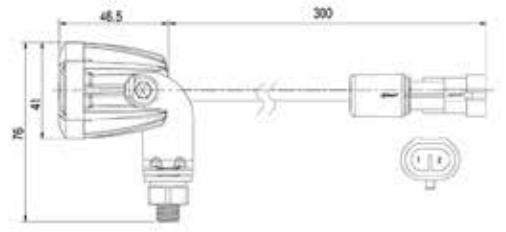
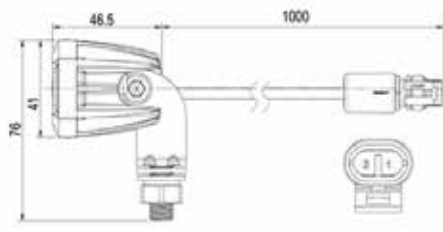
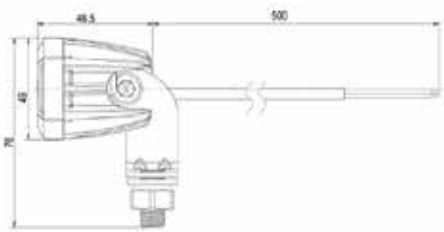
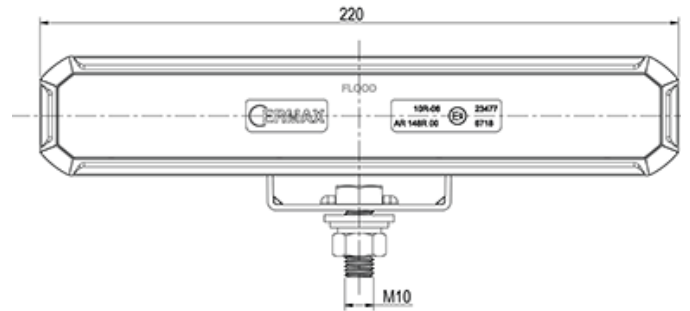
Wire colours:
 Brown = minus
 Blue = +



Voltage	Consumption	Connection	Cable length	Light source	Lumen, theoretical/effective	Light pattern	Item no.
12/24 V	30 W	Open end	500 mm	6 High Power LEDs	2.700 / 2.000	Flood	098 174 360
12/24 V	30 W	Super-Seal plug	1,000 mm	6 High Power LEDs	2.700 / 2.000	Flood	098 174 364
12/24 V	30 W	Super-Seal socket	300 mm	6 High Power LEDs	2.700 / 2.000	Flood	098 174 365
12/24 V	30 W	Integrated Deutsch (DT2) socket	--	6 High Power LEDs	2.700 / 2.000	Flood	098 174 367

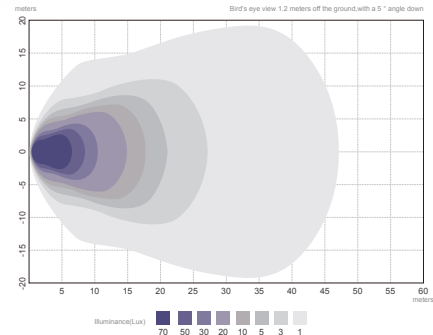
LED work light 12/24V - 8 diodes

Theoretical Lumen: 3.600



Approved as reverse light with 48° tilt angle mounted vertically

Light pattern



Description

Lens: Impact-resistant polycarbonate
 Housing: Aluminium
 Colour temperature: 6500K
 Dimensions, W x H x D: 220 x 41 x 46 mm
 Light height, total: 54 mm
 Bolt size: 22 mm/M10
 Width bracket: 63 mm

Working temperature: -40°C to + 65°C
 IP Rating: IP6K9K

Mounting bracket in stainless steel with polycarbonate washer

Wire colours:
 Brown = minus
 Blue = +

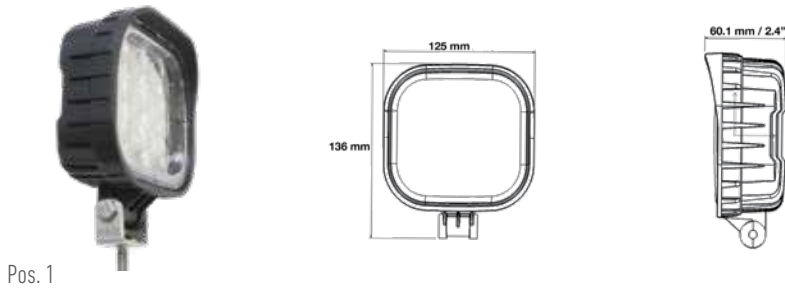


Voltage	Consumption	Connection	Cable length	Light source	Lumen, theoretical/effective	Light pattern	Item no.
12/24 V	40 W	Open end	500 mm	8 High Power LEDs	3.600 / 2.700	Flood	098 174 380
12/24 V	40 W	Super-Seal plug	1,000 mm	8 High Power LEDs	3.600 / 2.700	Flood	098 174 384
12/24 V	40 W	Super-Seal socket	300 mm	8 High Power LEDs	3.600 / 2.700	Flood	098 174 385
12/24 V	40 W	Integrated Deutsch (DT2) socket	--	8 High Power LEDs	3.600 / 2.700	Flood	098 174 387

Addition to a strong family

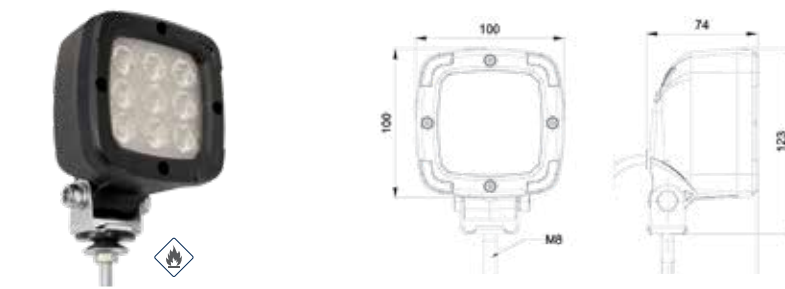
EMC

Further types of ERMAX work lights



Pos. 1

Lens: Polycarbonate
 Housing: Black aluminium
 Dimension: 125 x 125 x 60 mm
 High total: 136 mm
 Bolt: M8
 Working temperature: -30 °C bis +50 °C

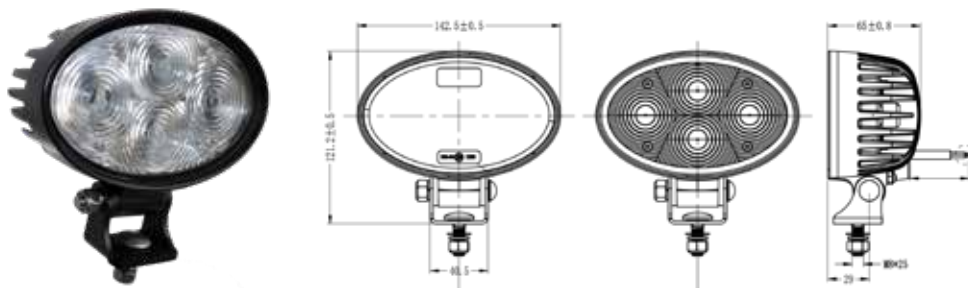


Pos. 2

Lens : Polycarbonat
 Housing: Plastik
 Dimension: 100 x 100 x 74 mm
 High total: 123 mm
 Bolt: M8
 Working temperature: -40 °C bis +35 °C

EMC

Operating voltage	Energy consumption	Connection	Cable length	Light source	Lumen Theoretical / effective	Light pattern	Pos.	Article No.
12 / 24 V	20 W	Open End	280 mm	9 LEDs	2.100 / 1.500	Flood	1	098 174 140
12/24V	15 W	Open end	1400 mm	9 x LED	1.800 / 1.300	Flood	3	098 174 490



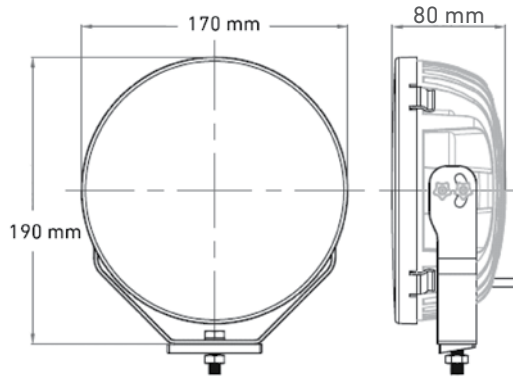
Pos. 3 For industrial equipment and forklifts

EMC

Operating voltage	Energy consumption	Connection	Cable length	Light source	Lumen Theoretical / effective	Light pattern	Pos.	Article No.
10 / 80 V	12 W	Open End	500 mm	4 LEDs	300 / 170	Blue spot	3	098 174 005

LED Work lights

Lumen 5.600

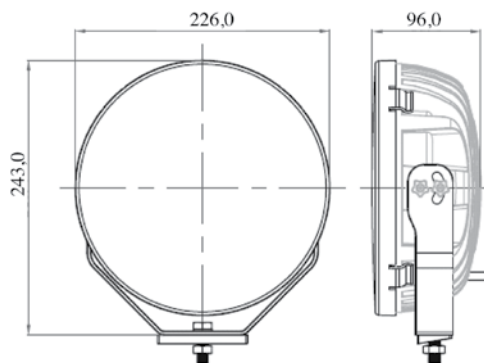


Lens: Polycarbonate
 Housing: Black aluminum
 Dimension: Ø170 x 80 mm
 Mounting bolts: 8 mm / 30 mm
 Working temperature: -30°C to +65°C

Operating voltage	Energy consumption	IP Rating	Connection	Cable length	Light source	Lumen Theoretical / Effective	Light pattern	Article No.
12 / 24 V	7-10 W	IP67	DT socket	250 mm	7 x LED	5.600 / 4.500	Flood	098 174 230

LED Work lights

Lumen 9.600



Lens: Polycarbonate
 Housing: Black aluminum
 Dimension: Ø226 x 96 mm
 Mounting bolts: 8 mm / 30 mm
 Working temperature: -30°C to +65°C

Operating voltage	Energy consumption	IP Rating	Connection	Cable length	Light source	Lumen Theoretical / Effective	Light pattern	Article No.
12 / 24 V	10-30 W	IP67	Deutsch socket	250 mm	12 x LED	9.600 / 7.400	Flood	098 174 235

Plug connections – spare parts and accessories

The ERMAX plug connector accessory programme offers solutions for almost any application.

Matching mount brackets can also be found in our programme.



Pos. 1



Pos. 2



Pos. 3



Pos. 4



Pos. 5



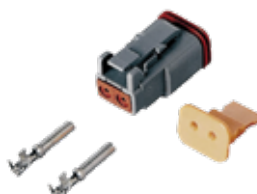
Pos. 6



Pos. 7



Pos. 8



Pos. 9



Pos. 10

Spare parts and accessories		Article No.
Mounting bracket for 37 mm light fixation - Kit set with	1	098 296 174
Mounting bracket aluminium, 31,5 x 30,5 x 17 mm. Ø61-65 mm	2	098 295 750
Mounting bracket aluminium, 32,5 x 31,5 x 18 mm. Ø66-71 mm	2	098 295 752
Super Seal plug 2 poled, Diameter yellow seal Ø 1,8 - 2,4 mm, Blade receptacle 0,5 - 1,0 mm ²	3	099 110 019
Super Seal socket 2 pole, Diameter yellow seal Ø 1,8 - 2,4 mm, Blade receptacle 0,5 - 1,0 mm ²	4	099 110 018
Rubber grommet for 2 pole Super Seal plug	5	099 110 712
T-coupling for 2 pole Super Seal plug (3 socktes)	6	099 111 415
Blanking plug for 2 pole Super Seal socket - black plastic	7	099 110 028
Blanking plug for 2 pole Super Seal plug - black plastic	8	099 110 029
Deutsch (DT) plug, with blade receptacles 0,75-2,0 mm ²	9	098 291 690
Deutsch (DT) socket, with blade terminals 0,75-2,0 mm ²	10	099 111 043

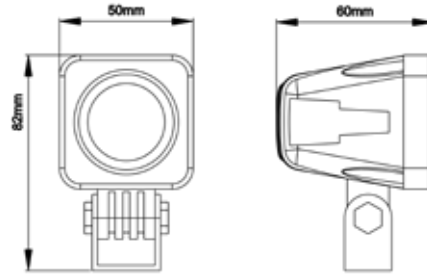
WORKING LIGHTS

ECONOMY SERIE



Working lights LED

800 / 600 Lumen

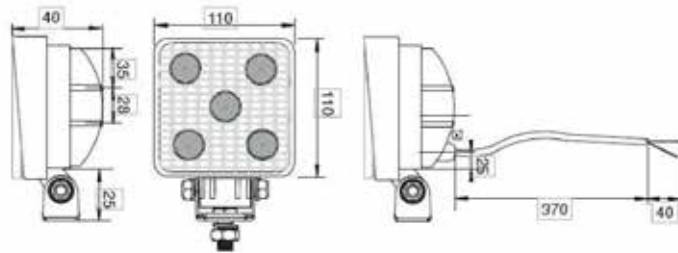


Black aluminum housing
Impact resistant polycarbonate lens
Mounting bolt M8

Operation voltage	IP Rating	Connection	Cable length	Dimension	Light source	Consumption	Working temperature	Light pattern	Article No.
12-36V	IP69K	Open end	300 mm	85 x 50 x 63 mm	1 x LED	10 W	-45°C - +85°C	Flood	910 174 525

Working lights LED

1.200 / 700 Lumen

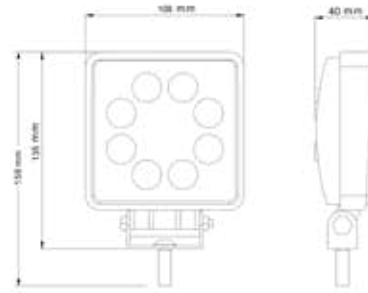


Black aluminum housing with cooling fins. Mounting bolt M8
Impact resistant polycarbonate lens. Stainless steel mounting bracket
Tested as reversing light 30 ° inclination with vertical mounting

Operation voltage	IP Rating	Connection	Cable length	Dimension	Light source	Consumption	Working temperature	Light pattern	Article No.
9-36V	IP67	Open end	2500 mm	110 x 110x 40 mm	5 x LED	15 W	-45°C - +85°C	Flood	098 174 200

Working lights LED

1.800 / 1.400 Lumen

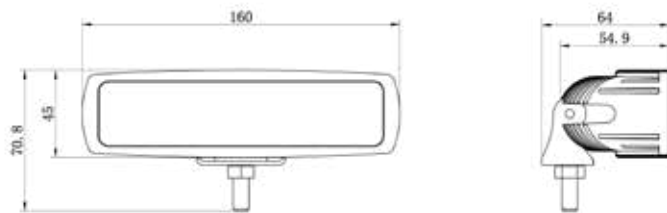


Black aluminum housing with cooling fins and mounting bracket with bolt. Mounting bolt M8
Integrated protection against over voltage and reverse polarity

Operation voltage	IP Rating	Connection	Dimension	Light source	Consumption	Working temperature	Light pattern	Article No.
9-324 V	IP67	Open end	108 x 108 x 40 mm	8 x LED "Cree"	24W	-45° - +85°C	Flood	910 174 215

Working lights LED

1.800 / 1.400 Lumen



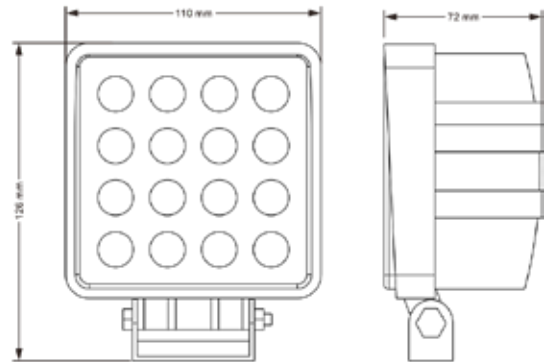
Black aluminum housing with cooling fins
With 360° swivelling bracket made of stainless steel

Operation voltage	IP Rating	Connection	Cable length	Dimension	Light source	Consumption	Working temperature	Light pattern	Article No.
9-32V	IP67	Open end	500 mm	45 x 160 x 55 mm	6 x LED "Cree"	36W	-45°C - +85°C	Flood	910 174 206

Working lights LED

3.070 / 1.600 Lumen

EMC



Black aluminum housing with cooling fins
Polycarbonate lens

Operation voltage	IP Rating	Connection	Cable length	Dimension	Light source	Consumption	Working temperature	Light pattern	Article No.
9-32V	IP67	Open end	1.500 mm	110 x 110 x 72 mm	16 x LED	48W	-45° - +85°C	Flood	910 174 210

TAIL LIGHTS

Trailer



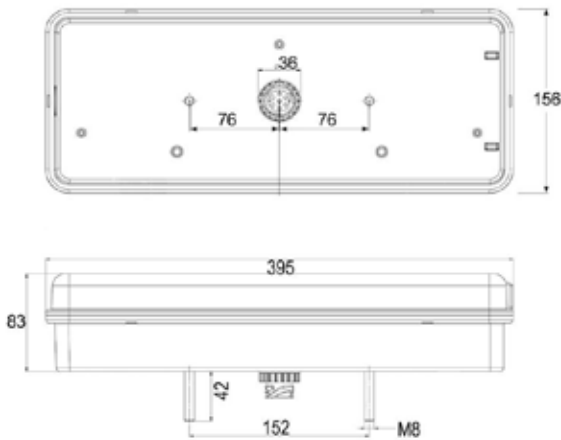
TM10 Hybrid or Full-LED Tail lights 24V - for trailer



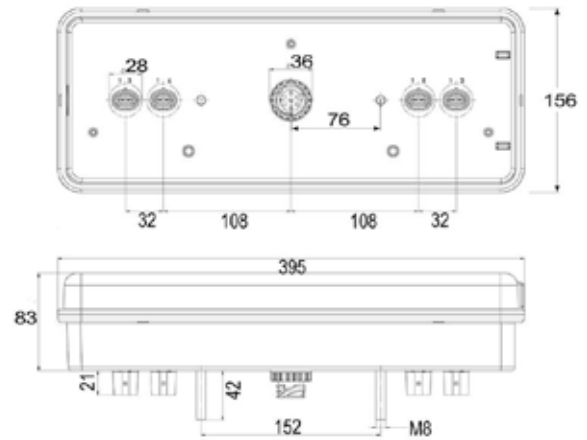
Hybrid



Full LED

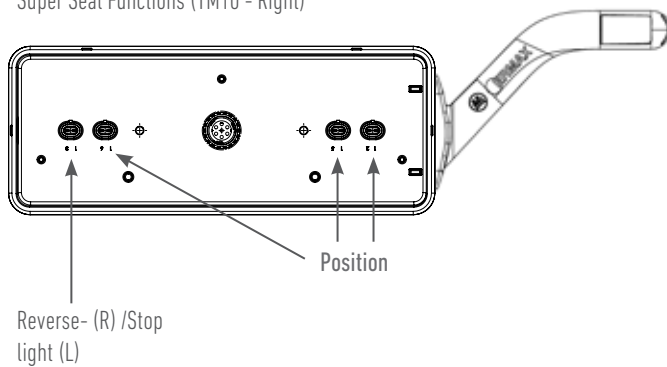


AMP socket placed at the back



AMP socket and 2x2 Super Seal placed at the back

Super Seal Functions (TM10 - Right)



Ex: TM10 with outer end marker light, screw mounted on the side
098 216 430 / 431
098 216 530 / 531

Description

Lens:	Impact resistant polycarbonate
Housing:	Polypropylen (PP)
Dimension:	390 x 155 x 80 mm
Bolt distance:	152 mm / M8

* Super Seal Functions for 3 x Position light, 1 x Stop (L) & Reverse (R)

Outer end marker (098 241 438 / 098 241 439 (R/L)) with 300 mm connection cable and Super Seal plug are mounted at the side of the tail light. This allows the outer end marker to be connected to the tail lights or the rear cable with the Super Seal connection.



TM10 Hybrid or Full-LED Tail lights 24V - for Trailer



Type	Operating voltage	IP Rating	Right → Left ←	Position Stop Dir. indicator Reverse Rear fog Side marker Reflex reflector	License plate	Outer end marker	Connection 7 poled AMP socket Direction:	2x2 Super Seal Placed at the back*	Article No.
Hybrid	24V	IP54	→	✓			Rear		098 216 400
Hybrid	24V	IP54	←	✓			Rear		098 216 401
Hybrid	24V	IP54	→	✓	✓		Rear		098 216 402
Hybrid	24V	IP54	←	✓	✓		Rear		098 216 403
Hybrid	24V	IP54	→	✓			Rear	✓	098 216 404
Hybrid	24V	IP54	←	✓			Rear	✓	098 216 405
Full-LED	24V	IP54	→	✓			Rear		098 216 500
Full-LED	24V	IP54	←	✓			Rear		098 216 501
Full-LED	24V	IP54	→	✓	✓		Rear		098 216 502
Full-LED	24V	IP54	←	✓	✓		Rear		098 216 503
Full-LED	24V	IP54	→	✓			Rear	✓	098 216 504
Full-LED	24V	IP54	←	✓			Rear	✓	098 216 505
Full-LED	24V	IP54	→	✓	✓		Rear	✓	098 216 506
Full-LED	24V	IP54	←	✓	✓		Rear	✓	098 216 507
Full-LED	24V	IP54	→	✓		45° (Long)	Rear	✓	098 216 530
Full-LED	24V	IP54	←	✓		45° (Long)	Rear	✓	098 216 531

Spare parts TM10 Hybrid or LED Tail lights 24V - truck & trailer



Pos. 1



Pos. 2



Pos. 3

Spare parts / Accessories

Lens, Right	1	098 296 354
Lens, Left	1	098 296 355
Protection cover for tail light	2	098 296 710
LED Outer end marker 12/24V, Right - 300 mm connection cable with Super Seal plug	3	098 241 438
LED Outer end marker 12/24V, Left - 300 mm connection cable with Super Seal plug	3	098 241 439

TM11 LED Tail Light 12/24V

Modern Light- and LED technology

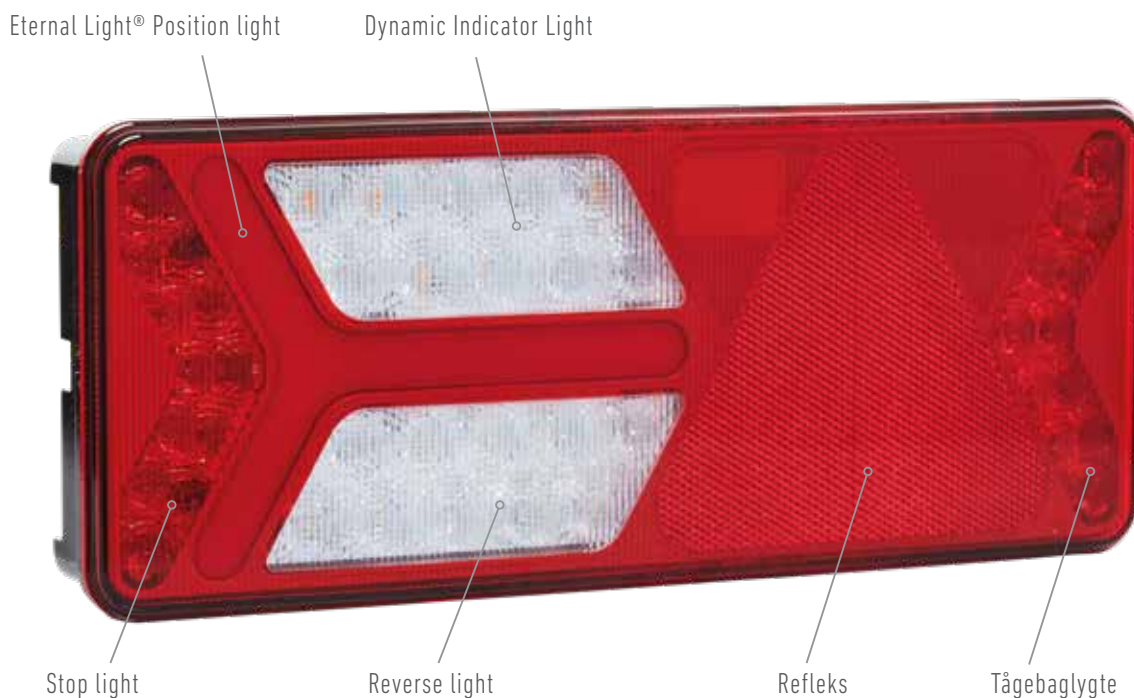
The compact and modern multi-function tail light from ERMAX

As highlights the full-LED tail light from ERMAX offers a thin design, modern dynamic indicator light, impact-resistant lens and integration of all legal control units.

The intelligent and up to date control unit of the ERMAX TM11 makes the universal connection of the tail light to any truck wanted possible – without failure warnings. This is also valid for the indicator failure control – and the brake light control.

The indicator light function in the side markers, lights simultaneously with the tail light according to ECE 48. This function is fully integrated in the TM11 tail light.

Superior durability, modern functionality and a modern design, come together in the ERMAX TM11 tail light and making it a real highlight.

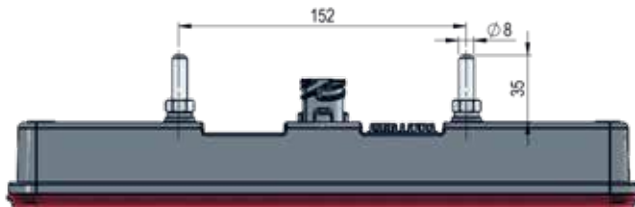
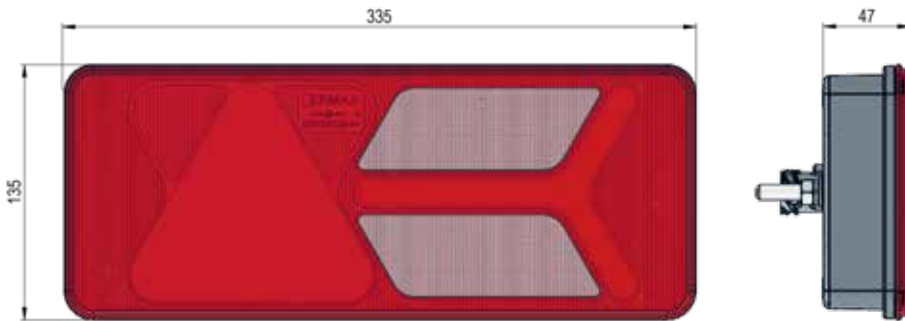


Highlights

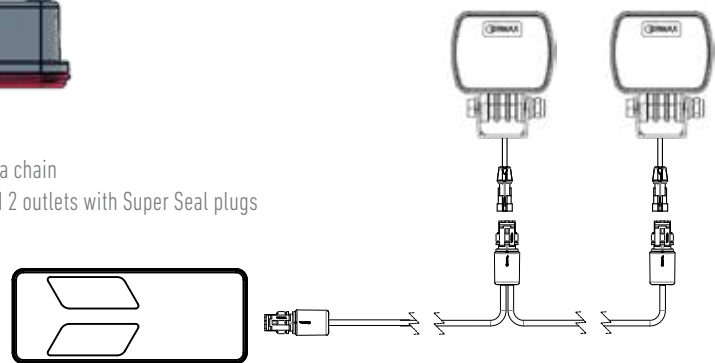
- Unbreakable - Impact-resistant lens made of polycarbonate
- Multi voltage 12/24V
- Modern dynamic indicator light
- Built-in indicator failure control according to ECE 48 - compatible with all makes and year of EU Trucks*
- Built-in stop failure control according to ECE 48 - compatible with all makes and year of EU Trucks*
- Built-in control unit for flashing side marker lights (SIMAC®) according to ECE 48 supp. 06 (since november 2017)
- Certified according to all relevant standards and regulations in Europe

* September 10/2018

TM11 LED Tail lights 12/24V



Reverse light connected as a chain
 - side cable with 1 inlet and 2 outlets with Super Seal plugs



2 pieces of Ermax reverse lights or work lights are allowed to be connected to an Ermax tail light (Max 52W)

Description

Lens:	Impact resistant polycarbonate
Direction indicator:	Progressive direction indicator light (running indicator)
Housing:	Impact resistant polycarbonate
Dimension:	335 x 135 X 47 mm
Bolt distance:	152 mm / M8
IP Rating:	IP69K

*) Super Seal Functions for 3 x position light incl. SIMAC, 1 x Stop (L) & Reverse (R)

TM11 LED Tail Light 12/24V



Type	Right → Left ←	Position Stop Indicator Reverse Rear fog Reflex reflector	Connection	2x2 Super Seal placed on the back	SIMAC control built-in	LED control built-in	Article No.
Full-LED	→	✓	7 poled AMP socket	✓	✓	--	098 216 550
Full-LED	←	✓	7 poled AMP socket	✓	✓	--	098 216 551
Full-LED	→	✓	7 poled AMP socket	✓	✓	Indicator failure	098 216 552
Full-LED	←	✓	7 poled AMP socket	✓	✓	Indicator failure	098 216 553
Full-LED	←	✓	7 poled AMP socket	✓	✓	Indicator- & stop light failure	098 216 555
Full-LED	→	✓	300 mm cable with 7 poled AMP socket	✓	✓	Indicator failure	098 216 558
Full-LED	←	✓	300 mm cable with 7 poled AMP socket	✓	✓	Indicator failure	098 216 559

PREMIUM: 098 216 552 (R) & 098 216 555 (L) SIMAC, LED

Outer end marker are optional

and can be mounted at any version afterwards

Article no. suitable for outer end marker is 098 241 448 / 098 241 449 (R/L). The outer end marker is mounted at a holder and the Super Seal plug at the outer end marker is mounted at the back of the tail light in the Super Seal socket



Spare parts & Accessories TM11 Tail Light 12/24V - Full LED - Truck & Trailer



Pos. 1



Pos. 2



Pos. 3



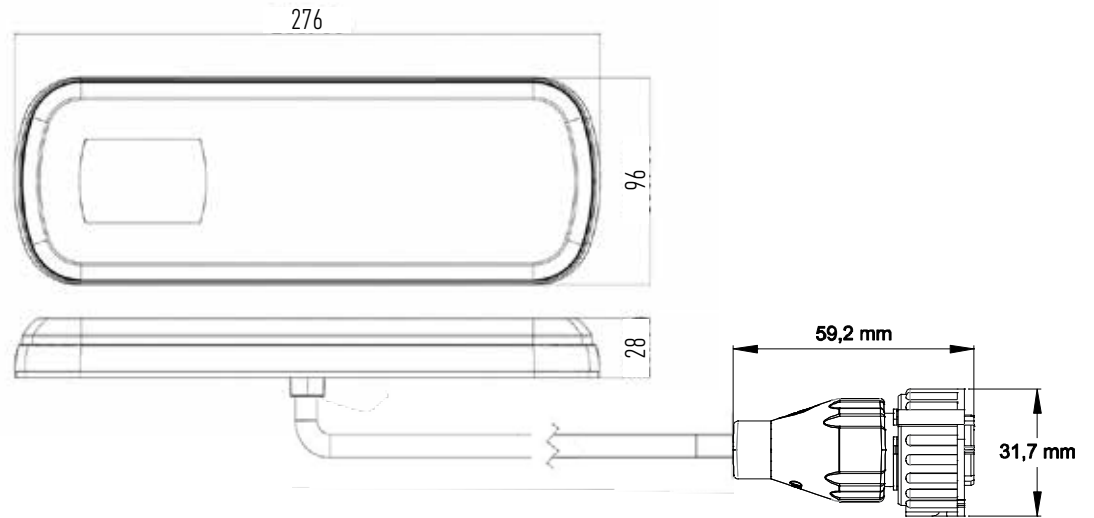
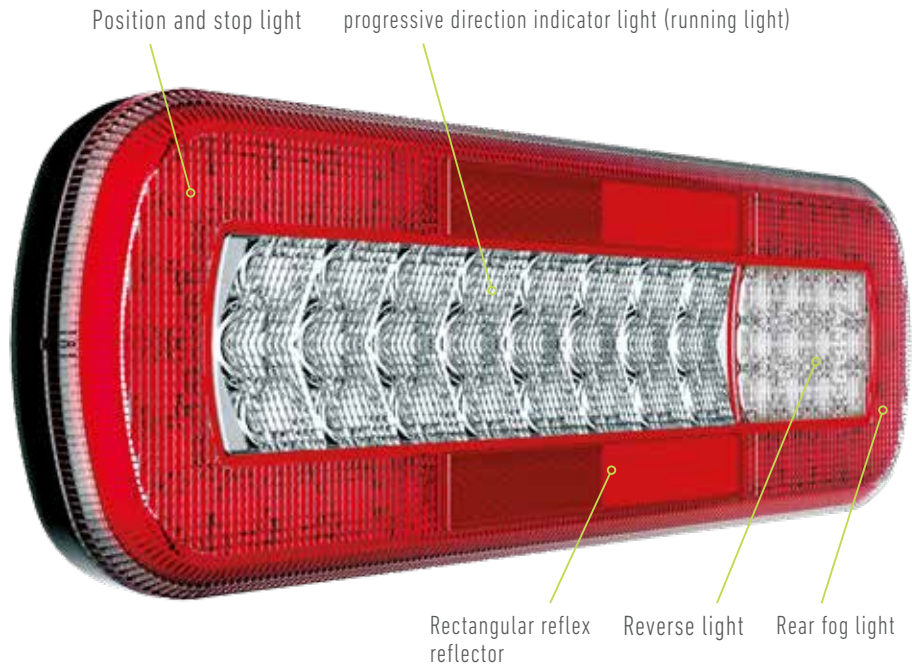
Pos. 4



Pos. 5

Spare parts and accessories	Pos.	Article No.
Bracket, angled, made of plastic - for mounting of outer end marker light Supplied with 4 pcs. Stainles Torx screws. Bolt hole distance: 77 mm	1	098 292 610
LED Outer end marker light 12/24V, right - 300 mm connection cable with Super Seal plug	2	098 241 448
LED Outer end marker light 12/24V, left - 300 mm connection cable with Super Seal plug	2	098 241 449
Protection cover, plastic, for tail light - bolt hole distance of 152 mm	3	098 296 710
Protection cover which tightens and protects the contacts of the LED control unit To be used when no LED control unit is mounted on the TM11 tail light	4	098 296 700
LED Control unit 12/24V for mounting on TM11 tail light For controlling of the indicator- or stop light. One unit per function is needed To be mounted on the back side of the light housing. Connection with 3 x spring loaded contacts	5	098 298 149

TM15 LED Tail light 12/24V



Description

Lens:	Impact resistant polycarbonate
Direction indicator:	Dynamic direction indicator light(running light)
Housing:	Impact resistant polycarbonate
Dimension:	283 x 100 x 29 mm
Bolt distance:	152 mm / M8
Working temperature:	-40°C - +65°C
IP Rating:	IP69K

Consumption per lighting function

Position light:	0,6W
Stop light:	3,1W
Direction indicator light:	3,1W
Reverse light:	2,8W
Rear fog light:	3,6W

TM15 LED Tail light 12/24V



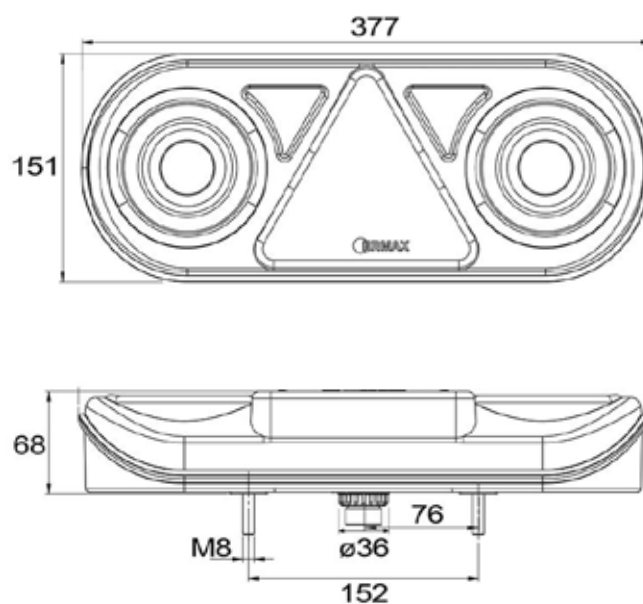
Type	Right → Left ←	Position Stop Progressive dir. indicator Reverse Rear fog Rectangular reflex reflector	Connection	Cable length	Article no.
LED	→ ←	✓	7 poled AMP socket	300 mm	098 216 590

TM15 Tail light LED

Smart, modern 6 function tail light for trucks with dynamic direction indicator light
Long slim design with many LEDs which gives a beautiful and modern light pattern



TM 1 LED - Tail lights 24V

**Description**

LED tail lights with integrated triangular reflex reflector and black plastic housing
Polycarbonate lens

Dimension: 380 x 150 x 70 mm

Bolt hole distance: 152 mm

TM 1 LED - Tail lights 24V



Application	Operation	IP Rating	Left ← Right →	Position Stop Dir. indicator Reverse Rear fog Reflex reflector	License plate	Sider marker	Outer end marker	Connection	Pos	Article No.
Universal	24V	IP67	←	✓				7 poled AMP 1.5 socket	1	098 216 701
Universal	24V	IP67	→	✓				7 poled AMP 1.5 socket	1	098 216 702
Universal	24V	IP67	←	✓	✓	✓		7 poled AMP 1.5 socket	1	098 216 707
Universal	24V	IP67	→	✓	✓	✓		7 poled AMP 1.5 socket	1	098 216 708
Universal	24V	IP67	←	✓			✓	7 poled AMP 1.5 socket	2	098 216 713
Universal	24V	IP67	→	✓			✓	7 poled AMP 1.5 socket	2	098 216 714

Description



Pos. 1



Pos. 2



Pos. 3

Cover for tail light		1	098 296 710
LED outer end marker light - left		2	098 241 470
LED outer end marker light - right		3	098 241 471

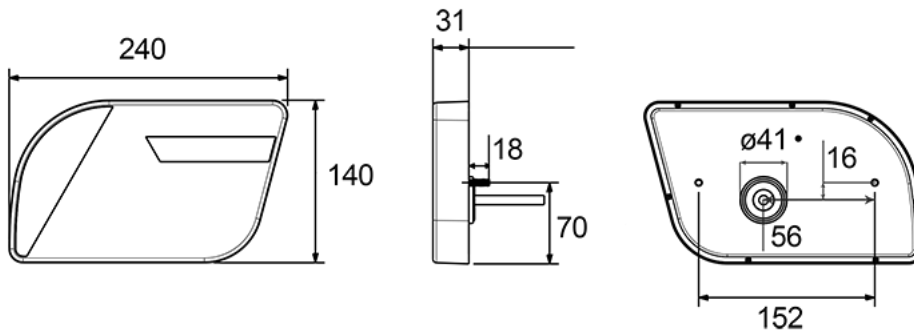
Tail lights TM 3 LED 12/24V



Left, Pos 1



Right, Pos 2



Description

LED Tail lights with "Eternal Light" for the position lights

Lens: Polycarbonate

Consumption total: 16,5W

Dimension: 240 x 140 x 31 mm

Bolt hole distance: 152 mm / M6



*) NB - Design with AMP socket must be used with straight socket and without safety cap

Application	IP Rating	Operation voltage	Left ← Right →	Position Stop Dir. indicator	Reverse Rear fog	Reflex reflector	Connection	Article No.
Universal	IP67	12/24V	→	✓	✓	✓	7 poled AMP 1.5 socket	098 215 235*
Universal	IP67	12/24V	←	✓	✓	✓	7 poled AMP 1.5 socket	098 215 237*

Spare parts / Accessories

Connection cable 4.000 mm with 7 poled AMP plug	494 040 755
---	-------------

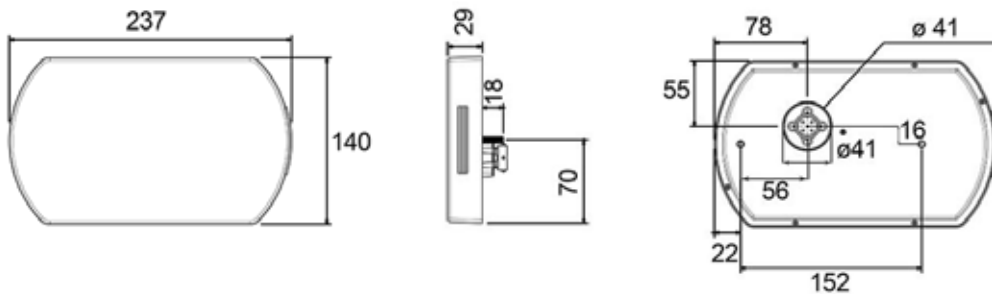
Tail lights TM 9 LED 12/24V



Left, Pos 1



Right, Pos 2



Description

LED Tail lights with "Eternal Light" for the position lights

Lens: Polycarbonate

Consumption total: 16,5W

Dimension: 240 x 140 x 29 mm

Bolt hole distance: 152 mm / M6



Application	IP Rating	Operation voltage	Left ← Right →	Position Stop Dir. indicator	Reverse	Rear fog	License plate	Reflex reflector	Connection	Article No.
-------------	-----------	-------------------	-------------------------	------------------------------------	---------	----------	---------------	------------------	------------	-------------

Universal	IP67	12/24V	←	✓		✓	✓	✓	5 poled socket	098 215 177
Universal	IP67	12/24V	→	✓	✓		✓	✓	5 poled socket	098 215 175
Universal	IP67	12/24V	←	✓		✓	✓	✓	7 poled AMP 1.5	098 215 171
Universal	IP67	12/24V	→	✓	✓		✓	✓	7 poled AMP 1.5	098 215 173

Spare parts / Accessories

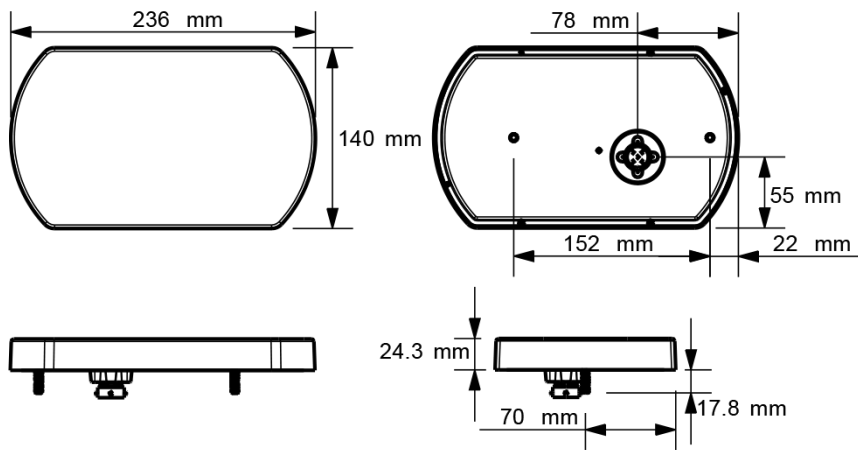
Plug 5 poled, yellow, left	098 295 076
Plug 5 poled, green, right	098 295 078

Tail lights LED 12V



Left

Right



Description

Lens: Polycarbonate
 Consumption total: 16,5W
 Dimension: 236 mm x 140 mm x 24 mm
 Bolt hole distance: 152 mm



Application	IP Rating	Operation voltage	Left ← Right →	Position Stop Dir. indicator	Reverse	Rear fog	License plate	Reflex reflector	Connection	Article No.
Universal	IP67	12V	←	✓		✓	✓	✓	5 poled socket	098 215 251
Universal	IP67	12V	→	✓	✓		✓	✓	5 poled socket	098 215 250

Spare parts

5 poled plug for multi function light, yellow	098 295 076
5 poled plug for multi function light, green	098 295 078

TM5 LED Tail lights with Eternal Light™ and Chrome ring 12/24V (Built-in)



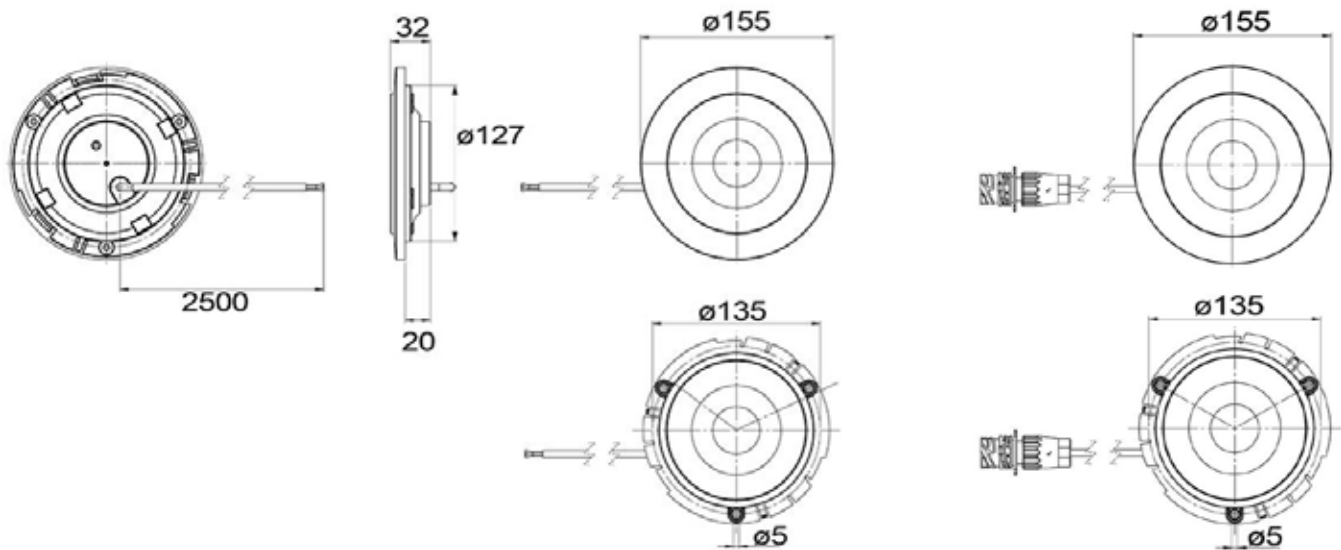
Eternal Light®



Pos. 1



Pos. 2



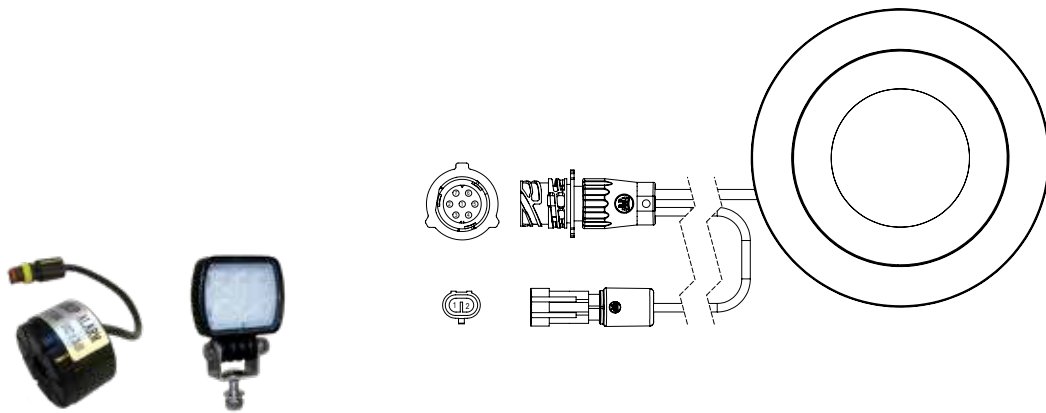
Description

Tail light with Eternal Light™ technology - for Built-in
Ultra thin installation depth

Lens:	Impact resistant polycarbonate
Housing:	Impact resistant polycarbonate
Dimension:	Ø155 x 32 mm
Built-in:	Ø127 mm
Bolt distance:	3 pcs Ø4,5 mm in 120° spread in Ø135 mm
Working temperature:	-40°C - +65°C
Chrome ring:	Max Temperatur 80°C

TM5 LED Tail lights with Eternal Light™ and Chrome ring 12/24V (Built-in)

Operation voltage	IP Rating	Position Stop Dir. indicator	Reverse Rear fog	Connection	Cable length	Outlet Super Seal	Pos.	Article No.
12/24V	IP69K	✓		Open end	2500 mm		1	098 212 101
12/24V	IP69K	✓		7 poled AMP socket	300 mm		1	098 212 102
12/24V	IP69K		✓	Open end	2500 mm		2	098 255 101
12/24V	IP69K		✓	7 poled AMP socket	300 mm		2	098 255 102
12/24V	IP69K		✓	7 poled AMP 1.5 socket	1.200 mm	200 mm cable with Super Seal socket for Reverse alarm / Reverse light	2	098 255 104



Spare parts



Chrome ring - max. temperature +80°C

098 292 215

TM6 LED Tail lights 12/24V (Surface mounting)

E EMC



Pos 1



Pos 2



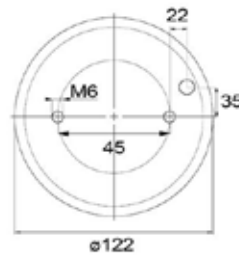
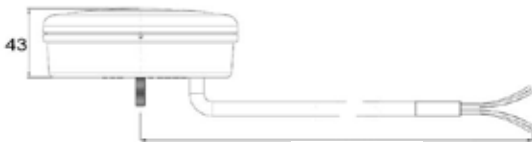
Pos 3



Pos 4



Pos 5



Description

Lens: PMMA
 Housing: ABS
 Dimension: Ø122 x 43.2 mm
 Bolt distance: 45 mm / M6

TM6 LED Tail lights 12/24V (Surface mounting)

Application	IP Rating	Operation voltage	Position Stop	Dir. indicator	Reverse	Rear fog	Cable length	Connection	ADR	Pos	Article No.
Universal	IP67	12/24V	✓	✓			2.500 mm	Open end		1	098 212 022
Universal	IP67	12/24V	✓	✓			2.000 mm	7 poled AMP 1.5 plug		1	098 212 027
Universal	IP67	12/24V	✓	✓			200 mm	7 poled AMP 1.5 socket		1	098 212 028
Universal	IP67	12/24V	✓				2.500 mm	Open end		2	098 212 122
Universal	IP67	12/24V			✓		200 mm	7 poled AMP 1.5 socket		3	098 256 023
Universal	IP67	12/24V				✓	1.000 mm	Super Seal plug		4	098 257 027
Universal	IP67	12/24V			✓	✓	2.500 mm	Open end		5	098 255 022
Universal	IP67	12/24V			✓	✓	2.000 mm	7 poled AMP 1.5 plug		5	098 255 027
Universal	IP67	12/24V			✓	✓	200 mm	7 poled AMP 1.5 socket		5	098 255 028

TM7 LED Tail lights 12/24V (Built-in)

(E) EMC



Pos 1



Pos 2



Pos 3



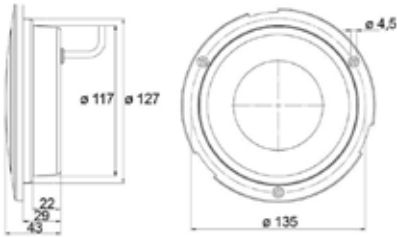
Pos 4



Pos 5



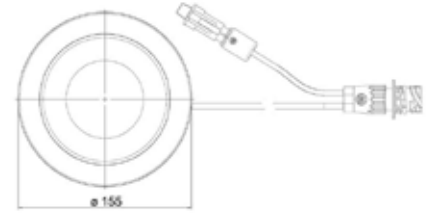
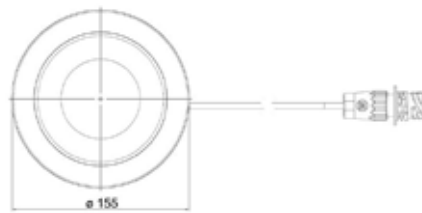
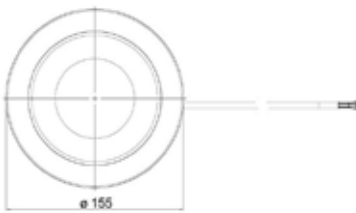
Pos 6



Pos 7



Pos 8



Description

Lens:	PMMA
Housing:	ABS
Dimension:	Ø155 x 43.2 mm
Bolt distance:	45 mm / M6
Built-in:	Ø127 mm
Mounting holes:	3 pcs Ø4,5 mm in 120° spread in Ø135 mm
Working temperature:	-40°C - +65°C
Chrome ring:	Max Temperature 80°C

Tail lights TM 7 LED 12/24V

Application	IP Rating	Operation voltage	Position Stop	Dir. indicator	Reverse	Rear fog	Cable length	Connection	ADR	Pos	Article No.
Universal	IP69K	12/24V	✓	✓			2.500 mm	Open end		1	098 212 016
Universal	IP69K	12/24V	✓	✓			300 mm	7 poled AMP 1.5 socket		1	098 212 008
Universal	IP69K	12/24V	✓	✓			2.500 mm	Open end		1	098 212 002
Universal	IP69K	12/24V	✓	✓			2.000 mm	7 poled AMP 1.5 plug		1	098 212 017
Universal	IP69K	12/24V	✓	✓			4000 mm	7 poled AMP 1.5 socket		1	098 212 019
Universal	IP69K	12/24V	✓				2.500 mm	Open end		2	098 212 116
Universal	IP69K	12/24V	✓	✓			2.500 mm	Open end		2	098 212 112
Universal	IP69K	12/24V		✓			2.500 mm	Open end		3	098 222 016
Universal	IP69K	12/24V			✓		2.500 mm	Open end		4	098 256 016
Universal	IP69K	12/24V			✓		2.500 mm	Open end		4	098 256 010
Universal	IP69K	12/24V			✓		200 mm	7 poled AMP 1.5 socket		4	098 256 012
Universal	IP69K	12/24V				✓	2.500 mm	Open end		5	098 257 012
Universal	IP69K	12/24V			✓	✓	2.500 mm	Open end		6	098 255 016
Universal	IP69K	12/24V			✓	✓	2.500 mm	Open end		6	098 255 002
Universal	IP69K	12/24V			✓	✓	2.000 mm	7 poled AMP 1.5 plug		6	098 255 017
Universal	IP69K	12/24V			✓	✓	200 mm	7 poled AMP 1.5 socket		6	098 255 018
Universal	IP69K	12/24V			✓	✓	1000 mm	7 poled AMP 1.5 socket and 200 mm cabel with Super Seal socket		6	098 255 014

Spare parts

Chrome ring Ø155 mm, max temperature 80°C		7	098 292 216
Black ring Ø155 mm		8	098 292 217

TM16 LED tail light for built-in - 24V

Modern design, function and technology combined

The new round 3 and 2 function TM16 LED tail light from ERMAX

The TM16 tail light serie features a unique, homogeneous design with a black background which highlights the homogeneous red tail light function in its 3 horizontal stripes. A pretty cool design combined with impact-resistant lens and housing, chrome-ring, the option of progressive direction indicator light and variants with ISO 13207 LED monitoring on the direction indicator light.

The serie also offers individual vehicle styling with a huge range of options, and can be used on both trucks and trailers.

The ERMAX TM16 LED built-in tail light is designed based on the latest lighting- and LED technologies and meets the toughest requirements for technology, quality and functionality.



Position-, stop- and direction indicator light



Position-, stop- and progressive direction indicator light



Fog- and reversing light



Position-, fog- and reversing light

ERMAX TM16 - why?

- 1 Unique design**

Built-in light in modern, compact design, with black background. Homogeneous position light with 3 stripes, with Eternal Light function.
- 2 Long lifetime and durability.**

Strong, impact-resistant lens and housing made of polycarbonate.
- 3 Two direction indicator functions**

Option of standard direction indicator function or modern progressive direction indicator light.
- 4 Chrome-ring**

Hides screws, gives a modern look. Also available in gloss black.
- 5 Compatible with all tractor units**

Variants with ISO13207 LED monitoring on indicator light as standard - or ERMAX LED control box for monitoring indicator light as plug-in.
- 6 D-approval when double-mounting.**

Facilitates ECE compliant double mounting of tail lights as a single unit.
- 7 Flexible connection options**

Connection with open-end or 7 pole AMP plug connection. Fog/rear light available with outlets for extra reversing lights.
- 8 First class, approved quality - 3 year warranty**

All products are subject to our strict quality criteria and test methods to be able to guarantee high product quality.

Individual styling

Design the "rear" according to taste and needs

Flexibility

The ERMAX TM16 is ideal for individual styling of a vehicle and has many application possibilities - both on trailer as on truck.

TM16 tail lights can be fitted horizontally and vertically and as high-mounted lights, and with the various connection options, fits perfectly with the ERMAX standard cable system.

Traditional mounting is ECE compliant



Uniform look - all functions

ECE compliance without other rear-facing position lights



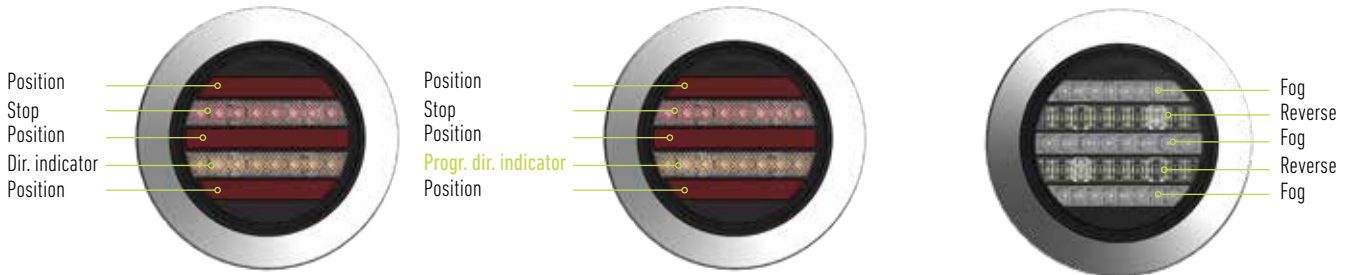
Dynamic direction indicator in 3 function light

No ECE compliance



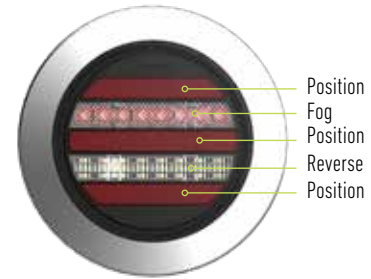
TM16 LED tail light for built-in - 24V

Variants without ISO 13207



Technical specifications:

- Lens and housing: Impact-resistant polycarbonate
- Voltage: 24V
- Build-in measurements: Ø112.5 mm
- Bolt hole distance: 3 x Ø4.5 mm at 120° divided in Ø130 to Ø135 mm
- Working temperature: -40°C - +65°C
- IP rating: IP6K9K
- Approvals: ECE, EMC and ADR (see D-approval below)



Voltage	Right → Left ←	Position	Stop	Dir. indicator traditional	Dir. indicator progressive	Reverse Fog	Connection	Cable length	Outlet Super Seal	D-approved	Item no.
24V	→ ←	✓	✓	✓			Open end	2,500 mm		✓	098 211 201
24V	→ ←	✓	✓	✓			7 pole AMP socket	300 mm		✓	098 211 202
24V	→	✓	✓		✓		Open end	2,500 mm			098 211 210
24V	←	✓	✓		✓		Open end	2,500 mm			098 211 211
24V	→	✓	✓		✓		7 pole AMP socket	300 mm			098 211 212
24V	←	✓	✓		✓		7 pole AMP socket	300 mm			098 211 213
24V	→ ←					✓	Open end	2,500 mm			098 255 201
24V	→ ←					✓	7 pole AMP socket	300 mm			098 255 202
24V	→ ←					✓	7 pole AMP socket	1,000 mm	200 mm cable with Super Seal socket		098 255 204
24V	→	✓				✓	Open end	2,500 mm			098 255 210 *
24V	←	✓				✓	Open end	2,500 mm			098 255 211 *
24V	→	✓				✓	7 pole AMP socket	300 mm			098 255 212 *
24V	←	✓				✓	7 pole AMP socket	300 mm			098 255 213 *
24V	→	✓				✓	7 pole AMP socket	1,000 mm	200 mm cable with Super Seal socket		098 255 214 *
24V	←	✓				✓	7 pole AMP socket	1,000 mm	200 mm cable with Super Seal socket		098 255 215 *

* NB: The reason for a right and left variant is, that the fog light is reduced on the right and left side of the light respectively, meaning it can be mounted close to the rear light and still maintain the mandatory 100 mm distance between stop and fog lights.

TM16 LED tail light for built-in - 24V

Variants with ISO 13207 - Indicator monitored by integrated ISO13207 pulse system



Voltage	Right → Left ←	Position	Stop	Dir. indicator traditional	Dir. indicator progressive	Reverse Fog	Connection	Cable length	D-approved	Item no.
24V	→ ←	✓	✓	✓			Open end	2,500 mm	✓	098 211 231
24V	→ ←	✓	✓	✓			7 pole AMP socket	300 mm	✓	098 211 232
24V	→	✓	✓		✓		Open end	2,500 mm		098 211 240
24V	←	✓	✓		✓		Open end	2,500 mm		098 211 241
24V	→	✓	✓		✓		7 pole AMP socket	300 mm		098 211 242
24V	←	✓	✓		✓		7 pole AMP socket	300 mm		098 211 243



Example with gloss black ring

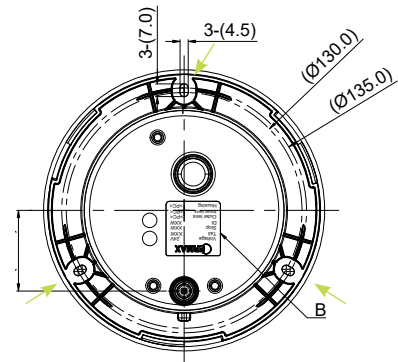
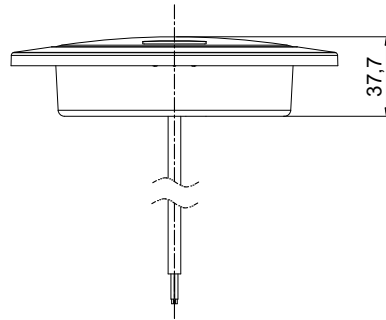
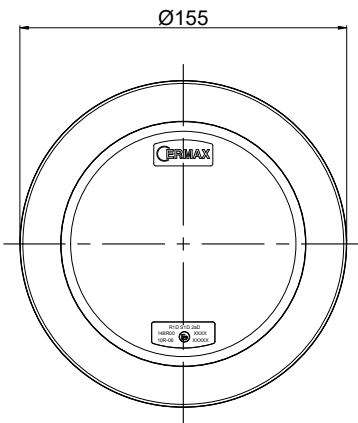
Spare parts

Chrome-ring Ø155 mm	098 292 216
Gloss black ring Ø155 mm - can replace the chrome ring	098 292 217

TM16 LED tail light for built-in - 24V

Technical details and dimensions

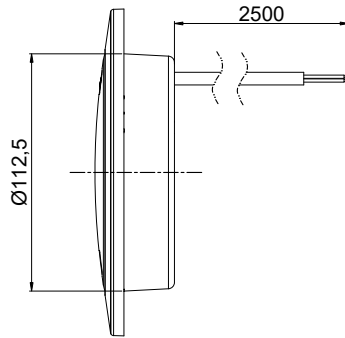
Dimensions



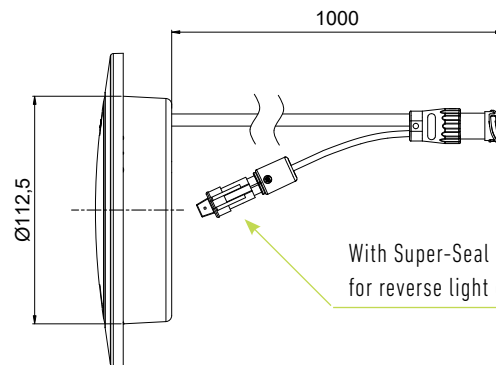
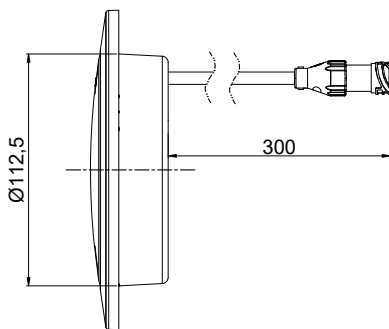
Can be mounted at 120° divided on
Ø130 to Ø135

Connection open-end:

- White: Minus (-)
- Green: Position
- Amber: Direction indicator
- Red: Stop



Connection to 7 pole AMP socket



With Super-Seal socket outlet on cable
for reverse light or reversing alarm

Technical specifications:

- Strong, impact-resistant polycarbonate lens and housing
- 24V
- Dimensions for built-in - Ø112.5 mm
- Bolt hole distance - 3 x Ø4.5 mm at 120° divided on Ø130 to Ø135 mm
- Working temperature -40°C - +65°C
- IP rating: IP6K9K
- ECE, EMC and ADR approved (D-approval, see table on next page)

A classic new developed

The newest technology – integrated LED failure control

The classic ERMAX TM4 LED tail light is well-known and has been used on vehicles all over Europe for many years. Due to new vehicle technology challenges with the light function recognition, ERMAX has new developed the classic TM4 LED tail light. The new TM4 tail light now meets the highest demands in the areas of technique, quality and functionality.

The design and build-in measures of the TM4 tail light have not been changed. Quite NEW is, however, the possibility of getting the tail light with integrated LED failure control for monitoring the direction indicator light and the stop light. This means that the vehicle is able to control the light functions according to ECE regulations.

The integrated LED failure control offers many advantages, as it supports both the ISO 13207 cold test and the state-of-the-art LED monitoring.

TM4 LED Tail light



The integrated LED failure control will solve many challenges

Highlights

- LED tail light with integrated LED control for monitoring the indicator and stop light in accordance with ECE 58.
- Use of a technology that is not only limited to ISO 13207 but also takes over the monitoring of older and new vehicles*.
- Control of flashing side marker lights (SIMAC®) by using rear cable with incorporated SIMAC®.
- Space-saving and fewer interfaces in the wiring harness, as no external control units / control boxes are required.
- Easy and quick mounting. Cost-saving due to reduction of mounting time and no maintenance.
- Classic design which can easily be combined with other existing lights.
- Possibility of a unique red-white-red design.
- D-approval and thus suitable for double mounting.
- IP69K rating of the LED unit (the tail light IP54K).
- ECE-, EMC- and ADR certified.

* Applies to all well-known brands in EU countries from 11/2009

Convincing technology

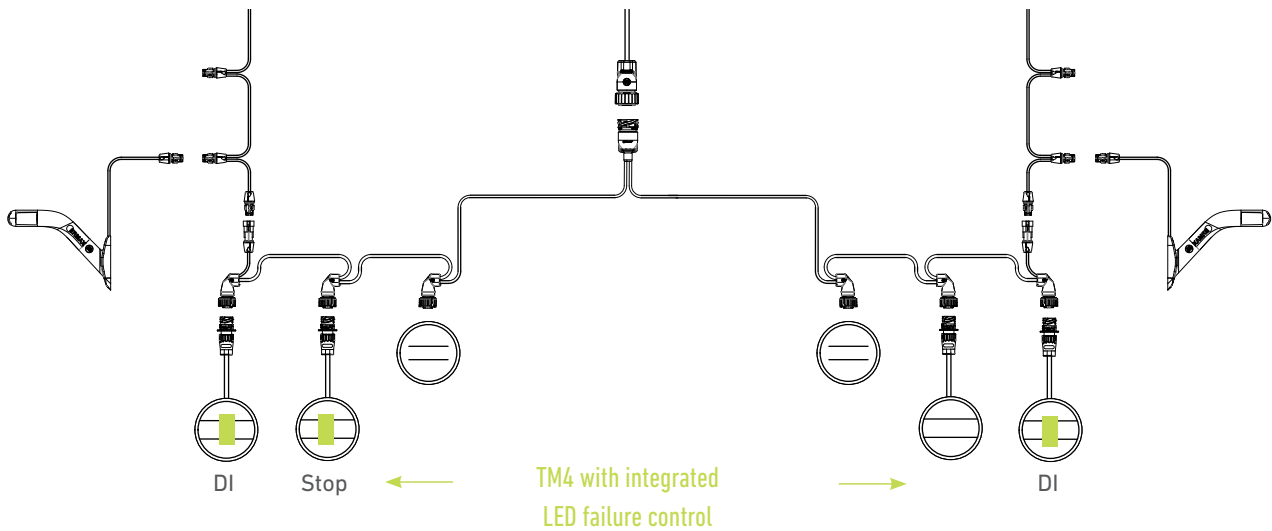
The best choice

The newest technology for monitoring and control of LED light functions

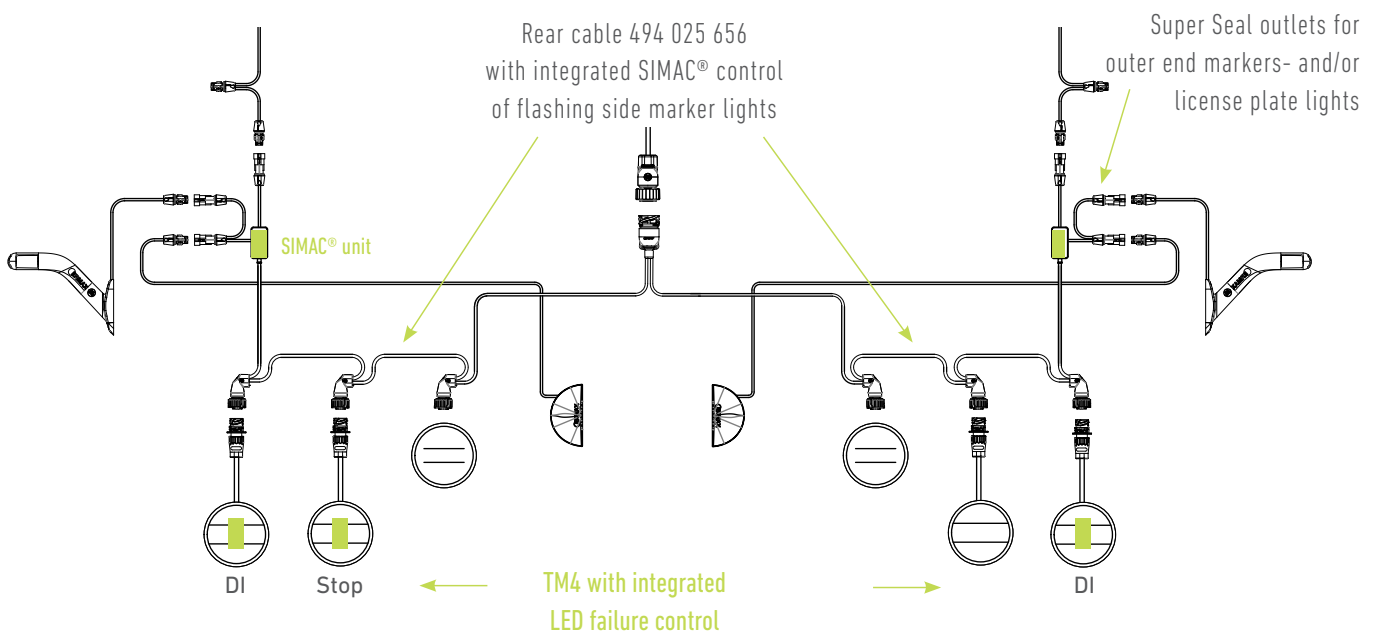
Using the newest technology in the ERMAX TM4 tail light enables integrated LED control to monitor the indicator and stop light function. If control of flashing side marker lamps SIMAC are needed ERMAX offers several innovative solutions, which can be connected easily and intelligently as a part of the cable system or as a plug-in solution.

- The integrated LED control in the tail light for monitoring the indicator and stop light functions, using a technology which is not limited to ISO 13207 and thus can be used for all vehicle* according to ECE R48.
- Intelligent control of the flashing side marker lights SIMAC® according to ECE R48 integrated in the rear cable.

Cable system with LED failure control for direct indicator and stop light function - integrated in the TM4 tail lights



Cable system with LED failure control for direct indicator and stop light function integrated in the TM4 tail lights - and SIMAC® in the rear cable



Variants & functions

for every use



TM4 LED tail light Surface mounting	Voltage	Position Stop Indicator	Reverse	Rear fog	Connection	D-approval	LED control integrated	Article No.
--	---------	-------------------------------	---------	----------	------------	------------	---------------------------	-------------

Classic design - with D approval

	24V	✓			Cable lead through rubber grommet	✓		098 211 340
	24V	✓			300 mm cable with 7 pole AMP socket	✓		098 211 342
	24V	✓			Cable lead through rubber grommet	✓	Direct indicator light	098 211 341
	24V	✓			300 mm cable with 7 pole AMP socket	✓	Direct indicator light	098 211 343
	24V	✓			300 mm cable with 7 pole AMP socket	✓	Stop light	098 211 344

Classic design - without D approval

	12/24V	✓			Cable lead through rubber grommet			098 212 442
	12/24V	✓			300 mm cable with 7 pole AMP socket			098 212 436

Unique red-white-red design - with D approval

	12/24V	✓			Cable lead through rubber grommet	✓		098 212 345
	24V	✓			Cable lead through rubber grommet	✓	Direct indicator light	098 211 361
	24V	✓			300 mm cable with 7 pole AMP socket	✓	Direct indicator light	098 211 363
	24V	✓			300 mm cable with 7 pole AMP socket	✓	Stop light	098 211 364


Variants & functions

for every use





TM4 LED tail light Surface mounting	Voltage	Position Stop Indicator	Reverse	Rear fog	Connection	D-approval	LED control integrated	Article No.
--	---------	-------------------------------	---------	----------	------------	------------	---------------------------	-------------

Combination rear light - reversing and rear fog - without D approval

	12/24V		✓	✓	Cable lead through rubber grommet			098 255 340
	12/24V		✓	✓	300 mm cable with 7 pole AMP socket			098 255 342

Single-function rear light - reversing and rear fog - without D approval

	24V		✓		Cable lead through rubber grommet			098 256 3434
	12/24V		✓		300 mm cable with 7 pole AMP socket			098 256 336
	12/24V			✓	Cable lead through rubber grommet			098 257 349
	12/24V			✓	300 mm cable with 7 pole AMP socket			098 257 336

Material description

Lens:	PMMA
Housing:	PP
Measure:	Ø140 x 80 mm
Bolt distance:	45 mm / M6
Working temperature:	-40°C - +65°C
IP-Rating:	IP54 (LED-Einheit: IP69K)

LED failure control on functions that are not preconfigured

The ERMAX TM4 tail light is pre-configured to monitor a specific light function as described above.

If monitoring of a different light function is required, this can be changed by changing a pair of plug connections. Information can be found on page 7.

Rear underrun protection bar with TM4 tail lights

According to ECE R58 revision 3

- Classical elegant design - new developed
- LED failure control and SIMAC® integrated
- Also possible in the unique red and white design



Integrated LED failure control for monitoring the direction indicator function and stop light function



098 259 075



098 259 095

Measure (WxDxH): 2780 (2400 mm without OEM) x 160 x 252 mm

Variant - ECE R58-03

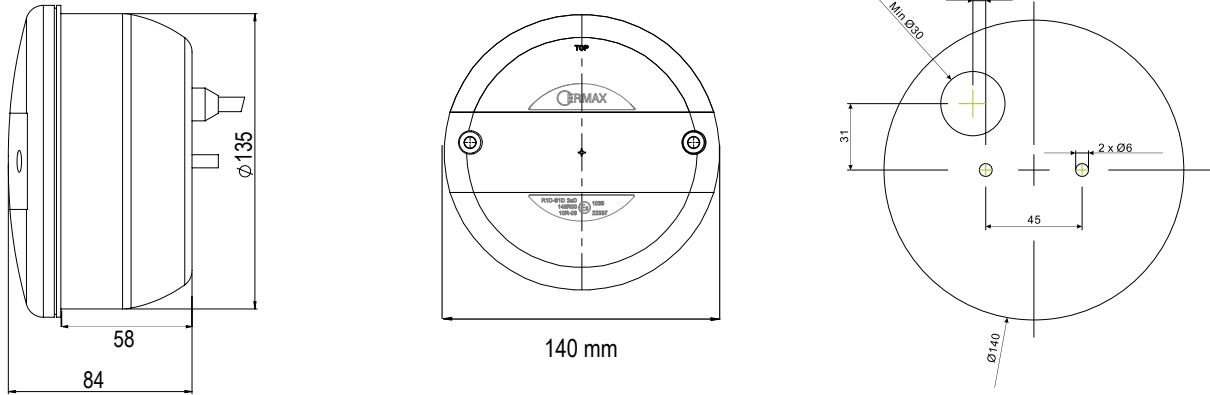
Type	Junction box	SIMAC	LED failure control		Article no.
			Dir. indicator light	Stop light	
LED	✓	✓	✓	✓	098 259 075 *
LED	✓	✓	✓	✓	098 259 095 **

* With D approval

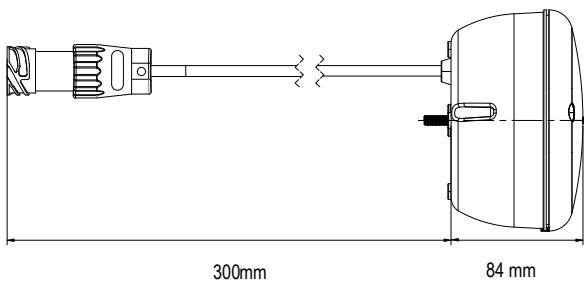
** The triangular reflectors must be mounted separately

Drawings, measure and spare parts

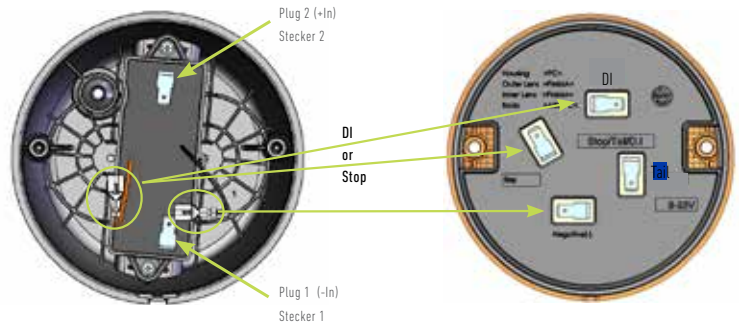
TM4 LED tail light with rubber grommet



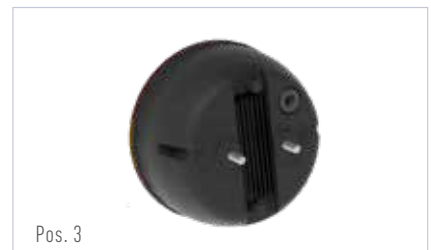
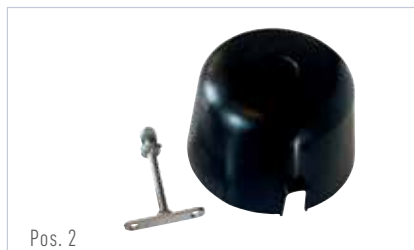
TM4 LED tail light with 300 mm connection cable with 7 pole AMP socket



LED failure control on functions that are not preconfigured



Spare parts and accessories



Chrome ring and built-in kit	1	098 292 360
Protection cover for tail light	2	098 296 720
TM4 housing with LED failure control unit 24V, cable lead through rubber grommet, for monitoring the direct indicator or stop light function	3	098 298 114

Tail lights LED 12/24V



Pos 1



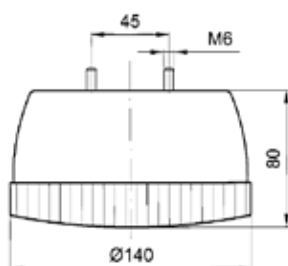
Med cromring monteret



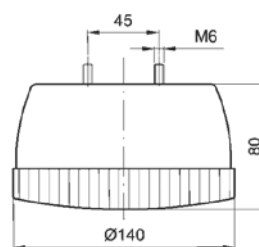
Pos 3



Pos 4



Pos 2



Description

NB: Connection resistance module gets very hot in use, and must be mounted on a heat-conducting base, i.e. the chassis of the truck

Lens: PMMA
 Housing: ABS
 Dimension: Ø140 x 80 mm (with Chromering Ø172 mm)
 Bolt hole distance: 45 mm

Horizontal build-in or surface mounting
 Pole specified connection with 6,3 mm flat plug



Application	IP Rating	Operation-voltage	Position	Stop	Dir. indication	Reverse	Rear fog	Connection	Pos.	Artikel-No.
-------------	-----------	-------------------	----------	------	-----------------	---------	----------	------------	------	-------------

Universal	IP67	12V	✓	✓	✓			Cable lead through rubber grommet	1	098 212 358
Universal	IP67	24V	✓	✓	✓			Cable lead through rubber grommet	1	098 212 357
LED	IP67	24V				✓		Cable lead through rubber grommet	3	098 256 049
LED	IP67	24V					✓	Cable lead through rubber grommet	4	098 257 047

Spareparts

Chrome ring with build-in rack and rubber ring for all 140 mm "Hamburger" lights both with bulb and LED	2	098 292 360
Heating cable / Resistor 24V with cable shoe - length 545 mm	6	093 865 125

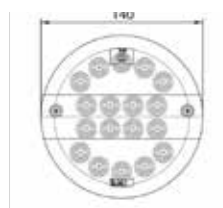
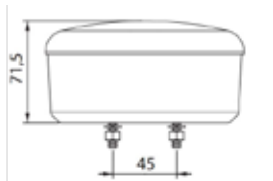
Tail lights LED 12/24V



Pos 1



Pos 2



With chrom ring

Description

Lens: PMMA
 Housing: ABS
 Dimension: Ø140 x 71,5 mm
 Bolt hole distance: 45 mm

Horizontal build-in or surface mounting
 Pole specified connection with 6,3 mm flat plug



Application	IP Rating	Operation-voltage	Position	Stop	Dir. indication	Reverse	Rear fog	Connection	Pos.	Artikel-No.
Universal	IP67	9-33V	✓	✓	✓			Cable lead through rubber grommet	1	098 212 368
Universal	IP67	9-33V	✓	✓	✓			Cable lead through rubber grommet	2	098 212 367
Universal	IP67	9-30V				✓		Cable lead through rubber grommet	2	098 255 368

Spareparts

Chromering	098 292 369
------------	-------------

Tail lights LED 24V



Pos 1



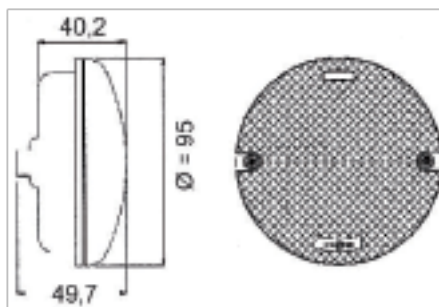
Pos 2



Pos 3



Pos 4



Description

Cable with casted cable end

Lens: PMMA
 Housing: ABS
 Dimension: Ø95 x 40,2 mm
 Bolt hole distance: 80 mm



Application	IP Rating	Operation voltage	Position Stop	Dir. indicator	Reverse	Rear fog	Cable length	Connection	Pos	Article No.
Universal	IP67	24V	✓				500 mm	Open end	1	098 206 064
Universal	IP67	24V		✓			500 mm	Open end	2	098 226 094
Universal	IP67	24V			✓		500 mm	Open end	3	098 256 074
Universal	IP67	24V				✓	500 mm	Open end	6	098 257 084

Tail lights LED



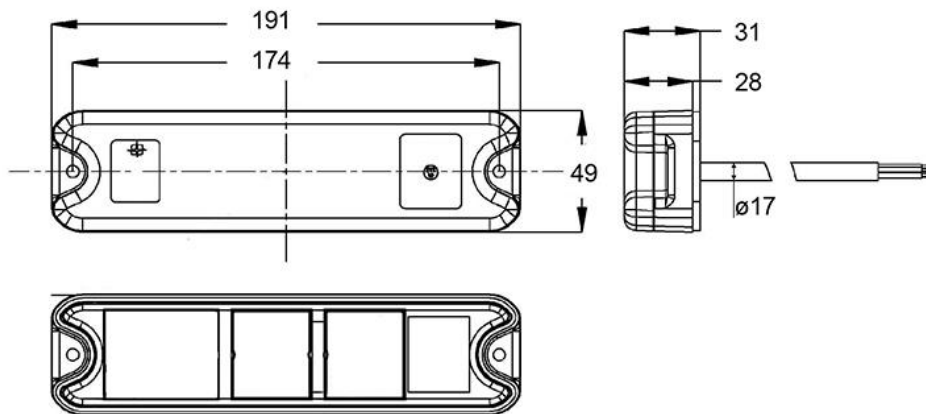
Pos 1

With 8 red and 6 yellow SMD LED's



Pos 2

With 8 red and 9 white SMD LED's



Description

Lens: PMMA
 Housing: ABS
 Dimension: 190 x 49,4 x 30 mm
 Bolt hole distance: 174 / M5 mm



Application	IP Rating	Operation voltage	Left ← Right →	Position Stop Dir. indicator	Reverse	Rear fog	Cable length	Connection	Pos	Article No.
-------------	-----------	-------------------	-------------------------	------------------------------------	---------	----------	--------------	------------	-----	-------------

Universal	IP67	12/24V	← →	✓			300 mm	Open end	1	098 212 273
Universal	IP67	12/24V	← →	✓			300 mm	7 poled AMP 1.5 socket	1	098 212 274
Universal	IP67	10-30V	← →		✓	✓	300 mm	7 poled AMP 1.5 socket	2	098 255 274

TM13 LED Tail light 12/24V

Small and slim design

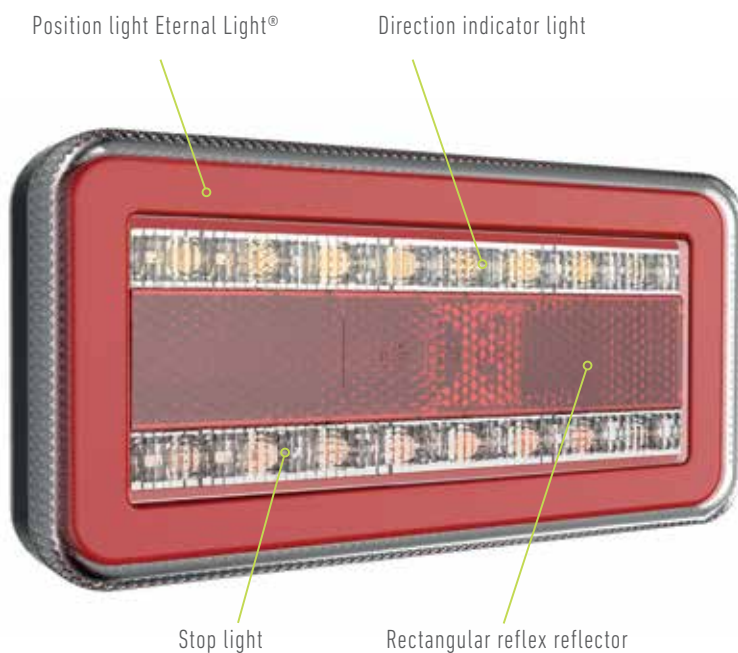
The perfect solution if the installation place is limited

The new ERMAX TM13 4-functions tail light in full-LED offers highlights as small, slimline and modern design for almost any application – for trailer as well as truck.

The TM13 LED tail light is due to its compact size and its slim design all-round useable and especially suitable for narrow build-in measures.

Recognizable design with Eternal Light®, newest light and LED technology and high quality are united in the ERMAX TM13 tail light – and makes the new TM13 tail light to another ERMAX innovation within lighting for heavy vehicles.

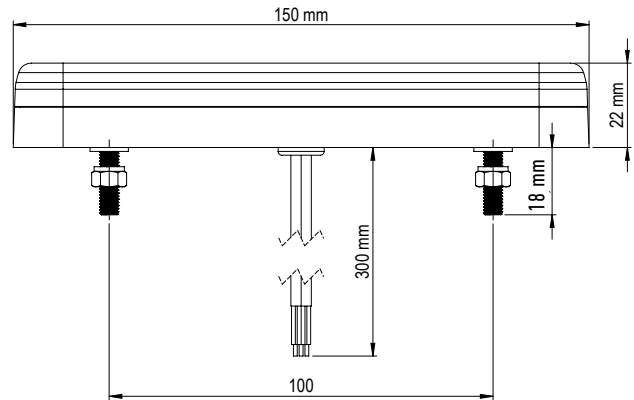
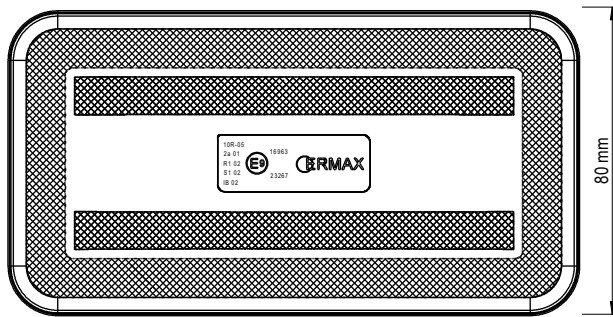
Eternal Light®



Highlights

- Applicable for trailer and truck
- Slimline-design - the perfect solution for limited build-in dimensions
- Suitable for high mounting
- ERMAX patented position light – Eternal Light®
- Compatible with the intelligent ERMAX LED failure control and the SIMAC®-control unit according to ECE 48 regulation
- Certified according to all relevant standards and regulations in Europe

TM13 LED Tail light 12/24V



OBS: IF ONLY VERTICAL MOUNTING, A SEPARATE LEGAL REFLECTOR MUST BE MOUNTED



Description

Lens: Polycarbonate
 Housing: Polycarbonate and ABS
 Dimension: 150 x 80 x 22 mm
 Bolt distance: 100 mm / M5
 Working temperature: -40°C - +65°C
 IP Rating: IP69K

Type	Right → Left ♦	Position Stop Dir. indicator Rectangular reflex reflector	Connection	Cable length	Article no.
LED	→ ←	✓	Open end	300 mm cable, 4 core	098 212 170
LED	→ ←	✓	Open end	2.500 mm cable, 4 core	098 212 171
LED	→ ←	✓	7 poled AMP Steckdose	300 mm cable	098 212 172
LED	→ ←	✓	4 poled Deutsch socket (DT4)	300 mm cable	098 212 173

TM14 LED Slim-Line Tail light 12/24V

Individual styling with TM14 Slim-line

The perfect solution for limited space

The ERMAX TM14 Slim-Line lighting series is ideal for individual modern styling of a vehicle and can be used for both surface mounting and built-in. The TM14 Slim-Line series is in full LED and offers highlights as a narrow, slim-line and modern design suitable for almost all applications – on the trailer as well as on the truck.

Due to the size and the slim design, there are many applications possibilities – especially where there are limited and narrow mounting surfaces.

The TM14 Slim-Line light can be mounted vertically, horizontally, and as high-mounted light – and fits with the various connection possibilities optimally with ERMAX' present cable system.

The stop light can also with advantage be use as high-mounted 3. stop light.



Position and / or stop light



Direct indicator light as standard or with dynamic direct indicator light

Truck styled with TM14 position lights



Highlights

- Slim and modern design for practically any application
- Applicable for trailer and truck
- Time saving mounting with 2 poled or 3 poled Super Seal connection
- 5 m Open end versions for long wiring
- Especially suitable for vehicles with limited mounting space
- Various applications – surface mounting, built-in, horizontal and vertical mounting and as high-mounted light
- Ideal as high-mounted 3. stop light.
- Certified according to all relevant standards and regulations in Europe

TM14 LED Slim-line - Flexible and individual styling possibilities

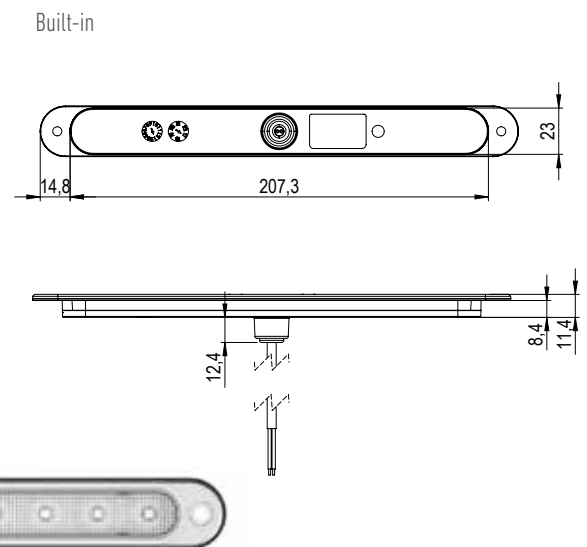
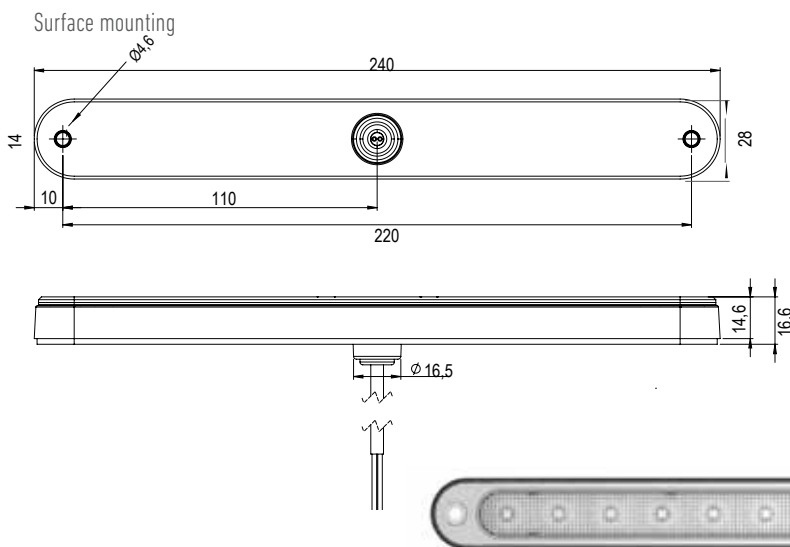
Design the "rear end" according to needs and demands



Placer flere lygter under hinanden , og få endnu større effekt ud af det flotte progressive blinklys
 Position of more lights underneath each other means more effect of the nice, modern and dynamic direction indicator light



Flot moderne progressivt blinklys



OBS - See all variants, connection possibilities and description on next page

TM14 LED Tail light 12/24V - Slim-line



Description

Lens: Impact resistant polycarbonate
 Housing: Impact resistant polycarbonate
 Dimension
 Surface mounting: 240 x 28 x 16,6 mm
 Built-in: 208 x 23 x 8,4 mm
 Bolt distance: 220 mm / Ø4,6
 Working temperature: -40°C til +65°C
 IP Rating: IP69K

Consumption per lighting function

Positions light: 0,6W
 Stop light: 2,0W
 Direction indicator light: 0,9W
 Dynamic direction indicator light : 4,0W

* Bi-polar connection

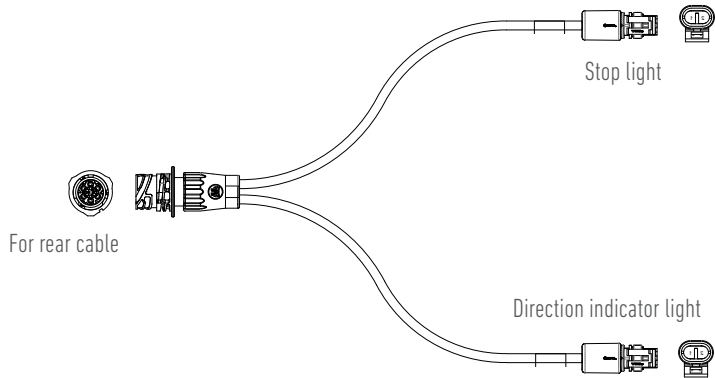
Operat- ingvolt- age	Right → Left ←	Position	Stop	Dir. indica- tor	Dynamic dir. indicator "NEW"	Connection	Cable length	Pin-configuration / wire color pr. function	Article no.
12/24V	→ ←	✓	✓			3 poled Super Seal socket	300 mm	1 = Ground 2 = Position light 3 = Stop light	098 212 250
12/24V	→ ←	✓	✓			Open end	5.000 mm - 3 core	Brown = Ground Blue = Position Yellow/green= Stop	098 212 252
12/24V	→ ←	✓				2 poled Super Seal socket	300 mm		098 200 250
12/24V	→ ←	✓				Open end	5.000 mm - 2 core	Brown = Ground Blue= Position light	098 200 252
12/24V	→ ←		✓			2 poled Super Seal socket	300 mm		098 203 250
12/24V	→ ←		✓			Open end	5.000 mm - 2 core	Brown = Ground Blue = Stop	098 203 252
12/24V	→ ←			✓		2 poled Super Seal socket	300 mm		098 222 250
12/24V	→ ←			✓		Open end	5.000 mm - 2 core	Brown = Ground Blue = Dir. indicatir	* 098 222 252
12/24V	→ ←				✓	2 poled Super Seal socket	300 mm		* 098 222 260
12/24V	→ ←					Open end	5.000 mm - 2 core	Brown = Ground Blue = Dir. indicator	* 098 222 262

TM14 LED Tail light 12/24V - Slim-line

Accessories - Adapter cable for installation of TM14 Slim-Line to rear cable (see detailed description in the section "cables universal")

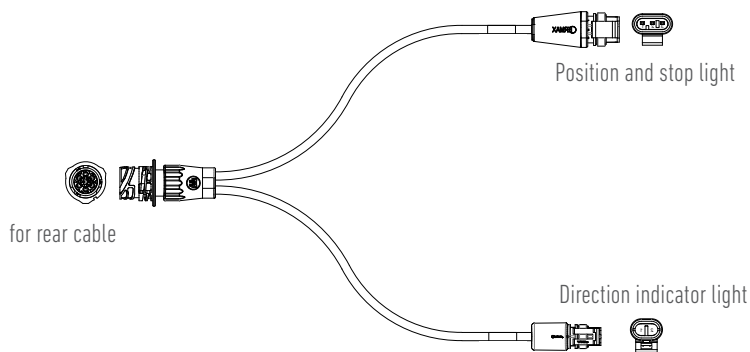
994 003 282 - Adapter cable 300 mm,

7 poled AMP socket > 2 x Super Seal plug with outlet for stop- and direction indicator light



994 003 285 - Adapter cable 300 mm,

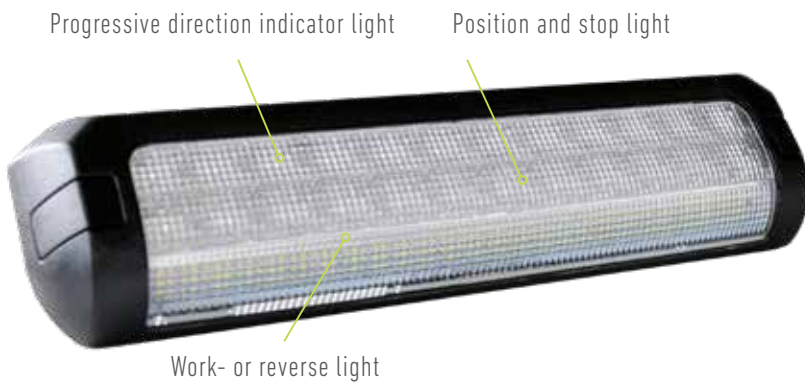
7 poled AMP socket > 1 x 3 poled Super Seal plug with outlet for position and stop light + 1 x 2 poled super seal plug with outlet for direction indicator light



Compact and Slim Design - Integrated work- or reverse light

The Ermax Top light 4 functions tail light in LED and with intergrated work- or reverse light, offers as high light a small, slim and modern design for almost all application - on the trailer as well as on the truck.

The Ermax Top light LED tail light is due to its size and slim design applicable for many purposes, especially for where there are limited and narrow mounting surfaces. High-mounted in order to use the work light function - or mounted in a height of max. 1.200 mm to use the reverse light function.



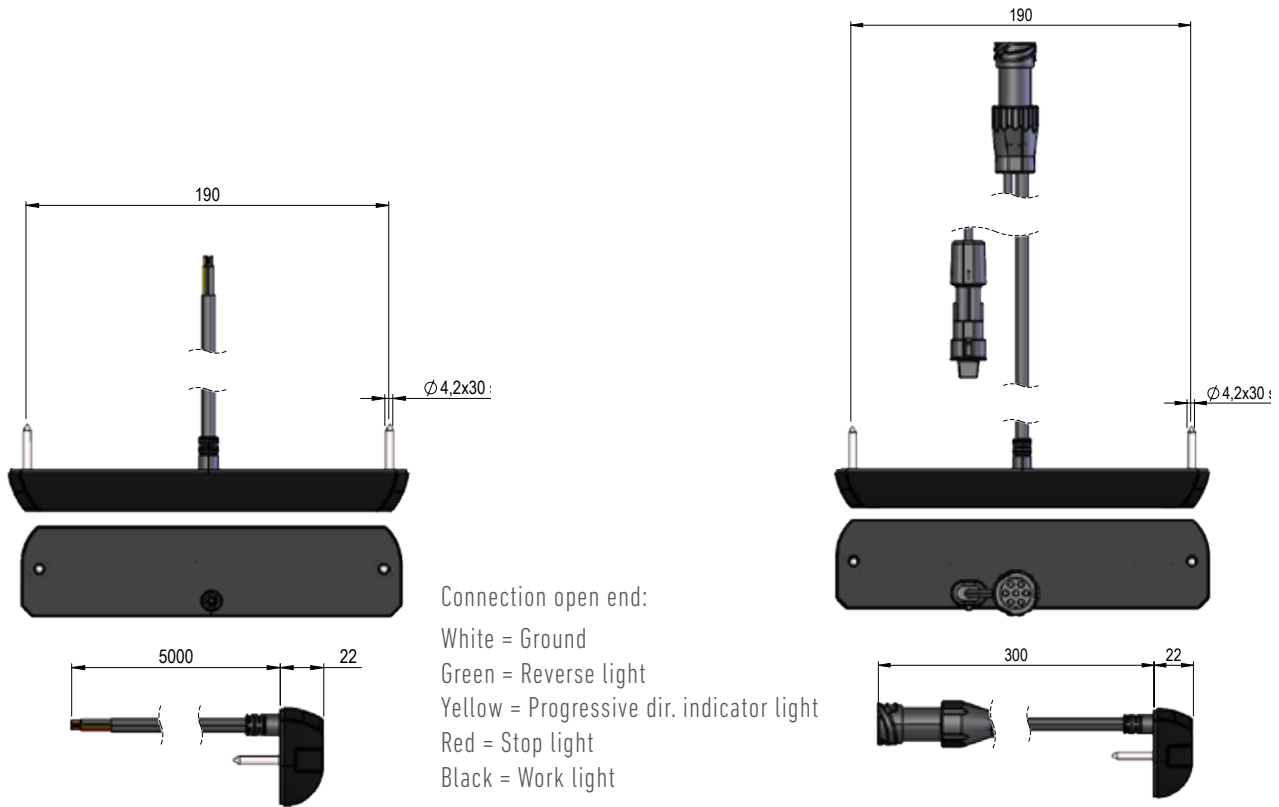
Mounted as tail light with reverse light - installation height max. 1.200 mm



High lights

- Slim and compact design - Optimal as high-mounted tail lights
- Intergrated work- or reverse light
- Progressive direction indicator light
- Impact-resistant lens made of Polycarbonate
- Ideal as high-mounted light for use as work light in order to lighten up the work area in th rear end of the trailer or truck
- Especially suitable for vehicles with limited mounting surfaces
- Certified according to all relevant standards and regulations in Europe

LED Tail light 12/24 with intergrated reverse- or work light



Description

Lens: Impact resistant polycarbonate
 Housing: Impact resistant polycarbonate with backplate of aluminium
 Dimension: 210 x 50 x 20 mm
 Bolt distance: 190 mm / M4
 Working temperature: -40°C - +65°C
 IP-Rating: IP69K

Consumption per function

Position light: 0,6W
 Stop light: 2,7W
 Progressive dir. indicator: 2,5W
 Work- / Reverse light: 10W

Obs - approved as reverse light with installation height of max. 1.200 mm



Type	Right → left ←	Position Stop Progressive dir. indicator	Work light / Reverse light * Lumen theoretical/ effektive	Connection and cable length	Article no.
LED	→	✓	950 / 730 Lumen	5.000 mm cable open end	098 212 240
LED	←	✓	950 / 730 Lumen	5.000 mm cable open end	098 212 241
LED	→	✓	950 / 730 Lumen	300 mm cable with 7 poled AMP socket 300 mm cable with 2 poled Super Seal socket	098 212 242
LED	←	✓	950 / 730 Lumen	300 mm cable with 7 poled AMP socket 300 mm cable with 2 poled Super Seal socket	098 212 243

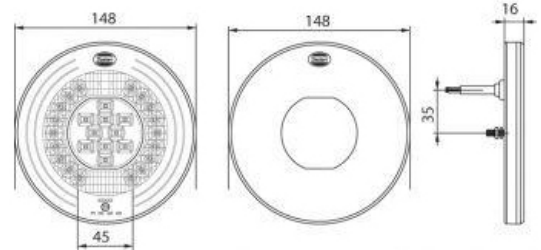
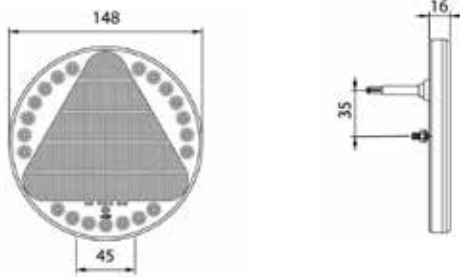
Tail lights LED 10-30V



Pos 1



Pos 2



Description

Operation voltage: 12/24V / Consumption total: 16,5W

Lens: PMMA
 Housing: ABS
 Dimension: Ø148 x 16 mm
 Bolt hole distance: 45 mm



Application	IP Rating	Operation voltage	Position Stop Dir. indicator	Reflex reflector	Reverse	Rear fog	Cable length	Connection	Pos	Article No.
-------------	-----------	-------------------	------------------------------	------------------	---------	----------	--------------	------------	-----	-------------

Universal	IP67	10-30V	✓	✓			400 mm	Open end	1	098 212 160
Universal	IP67	10-30V	✓	✓			450 mm	7 poled AMP socket	1	098 212 161
Universal	IP67	10-30V	✓	✓			950 mm	7 poled AMP socket	1	098 212 162
Universal	IP67	10-30V	✓	✓			400 mm	5 poled socket	1	098 212 163
Universal	IP67	10-30V			✓	✓	4.000 mm	Open end	2	098 255 160

Tail lights LED 12/24V



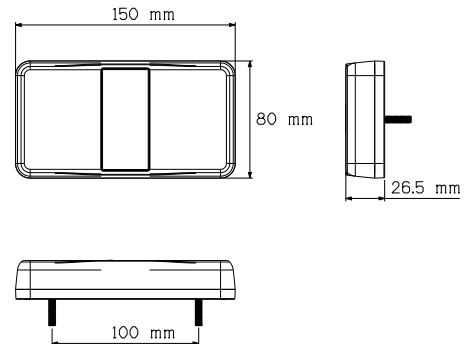
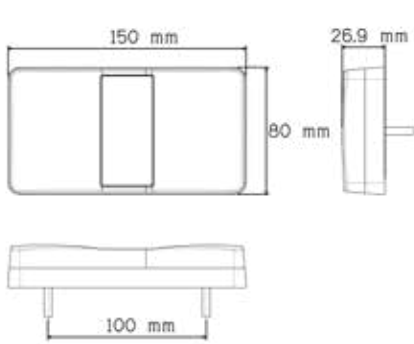
Pos 1



Pos 2



Pos 3



Description

Lens: PMMA
 Housing: ABS
 Dimension: 155 x 80 x 27 mm
 Bolt hole distance: 100 mm



Application	IP Rating	Operation voltage	Position Stop	Dir. indicator	Cable length	Connection	Pos	Article No.
Universal	IP67	12/24V	✓	✓	300 mm	Open end	1	098 212 120
Universal	IP67	12/24V	✓	✓	300 mm	Open end	2	098 212 125
Universal	IP67	12/24V	✓	✓	300 mm	Open end	3	098 212 136

Tail lights LED 12/24V

EMC

E



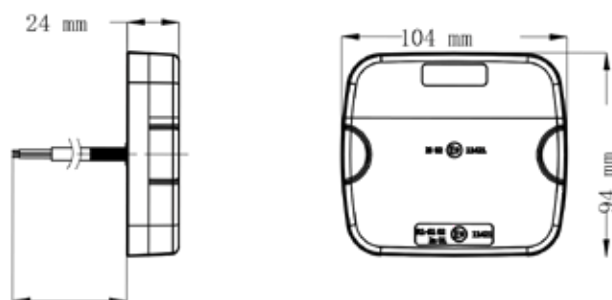
Pos 1



Pos 2 - placed in front



Pos 3



Description

Lens: PMMA
 Housing: ABS
 Dimension: 105 mm x 95 mm x 25 mm
 Distance: between mounting holes, center to center: 90 mm

Incl. cover panel for mounting

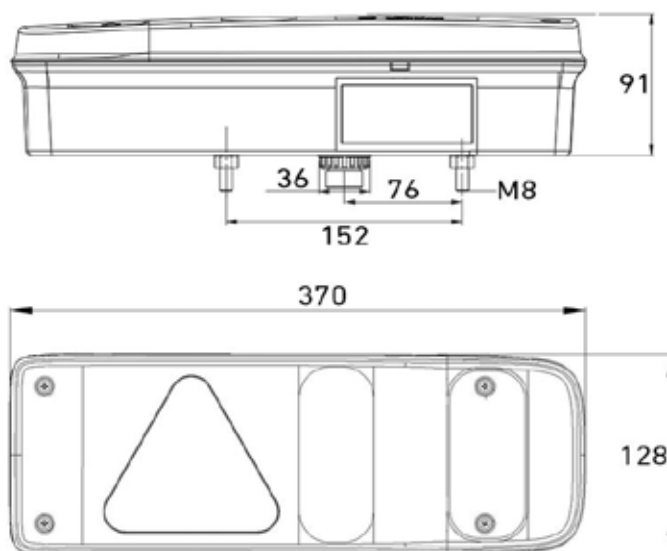


Application	IP Rating	Operation voltage	Position Stop	Dir. indicator	Position front	Reverse	Rear fog	Cable length	Connection	Pos	Article No.
Universal	IP67	12/24V	✓	✓				150 mm	Open end	1	098 212 470
Universal	IP67	12/24V	✓	✓				200 mm	7 poled AMP socket	1	098 212 472
Universal	IP67	12/24V		✓	✓			150 mm	Open end	2	098 222 470
Universal	IP67	12/24V				✓	✓	150 mm	Open end	3	098 255 470

TM2 **HYBRID** Tail lights 24V

Pos. 1

Pos. 2

TM2 **HYBRID** Variant

- Tail light TM2 Hybrid with position light as LED
- With Osram Truckstar pro HD bulb on stop, direction indicator, reverse- and rear fog light

Description

Lens:	PMMA
Housing:	PP
Dimension:	370 x 128 x 91 mm
Bolt distance:	152 mm / M8

TM2 Tail lights 24V - **HYBRID**

Type	IP Rating	Left ← Right →	Position Stop Dir. indicator	Reverse Rear fog	Reflex reflector	Side marker	Outer end marker	Connection	Pos.	Article No.
------	-----------	-------------------------	------------------------------------	---------------------	------------------	-------------	---------------------	------------	------	-------------

Hybrid	IP54	←	✓	✓	✓			7 poled AMP 1.5 socket	1	098 216 251
Hybrid	IP54	→	✓	✓	✓			7 poled AMP 1.5 socket	1	098 216 252
Hybrid	IP54	←	✓	✓	✓		45° Long (LED)	7 poled AMP 1.5 socket	2	098 216 265
Hybrid	IP54	→	✓	✓	✓		45° Long (LED)	7 poled AMP 1.5 socket	2	098 216 266

Spare parts & Accessories TM2 **HYBRID** Tail lights, 24V



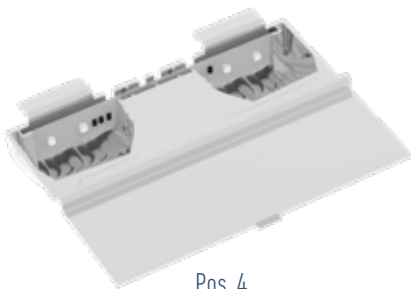
Pos. 1



Pos. 2



Pos. 3



Pos. 4

Pos. 5

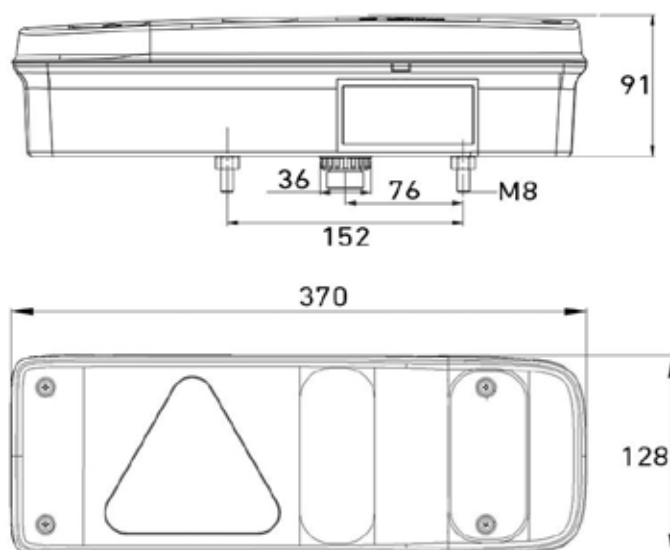


Pos. 6



Lens, left, with 4 screws	1	098 296 351
Lens, right, with 4 screws	1	098 296 352
Protection cover for tail light	2	098 296 710
LED Outer and marker, left - 500 mm connection cable open end	3	098 241 427
LED Outer and marker, right - 500 mm connection cable open end	3	098 241 428
Bulb 24V 5W HD, BA15s - for position light	4	098 296 250
Bulb 24V 21W amber HD, BAU15s - with amber lens for clear direction indicator light	5	091 624 078
Bulb 24V 21W HD, BA15s - for direct indicator	6	091 624 071

TM2 GL bulb Tail lights 24V

**Description**

Lens:	PMMA
Housing:	PP
Dimension:	370 x 128 x 91 mm
Bolt distance:	152 mm / M8

TM2 GL Tail lights 24V - bulb



Type	IP Rating	Left ← Right →	Position Stop Dir. indicator	Reverse Rear fog Reflex reflector	License plate	Side marker	Outer end marker	Connection	Pos.	Article No.
Bulb	IP54	←	✓	✓				7 poled AMP 1.5 socket	1	098 216 351
Bulb	IP54	→	✓	✓				7 poled AMP 1.5 socket	1	098 216 352
Bulb	IP54	←	✓	✓		✓		7 poled AMP 1.5 socket	1	098 216 353
Bulb	IP54	→	✓	✓		✓		7 poled AMP 1.5 socket	1	098 216 354
Bulb	IP54	←	✓	✓	✓			7 poled AMP 1.5 socket	1	098 216 355
Bulb	IP54	→	✓	✓	✓			7 poled AMP 1.5 socket	1	098 216 356
Bulb	IP54	←	✓	✓	✓	✓		7 poled AMP 1.5 socket	1	098 216 357
Bulb	IP54	→	✓	✓	✓	✓		7 poled AMP 1.5 socket	1	098 216 358
Bulb	IP54	←	✓	✓			45° Long (LED)	7 poled AMP 1.5 socket	2	098 216 365
Bulb	IP54	→	✓	✓			45° Long (LED)	7 poled AMP 1.5 socket	2	098 216 366
Bulb	IP54	←	✓	✓	✓		45° Long (LED)	7 poled AMP 1.5 socket	2	098 216 367
Bulb	IP54	→	✓	✓	✓		45° Long (LED)	7 poled AMP 1.5 socket	2	098 216 368

Spare parts & Accessories TM2 GL Tail lights bulb, 24V



Lens, left, with 4 screws	1	098 296 351
Lens, right, with 4 screws	1	098 296 352
Protection cover for tail light	2	098 296 710
LED Outer and marker, left - 500 mm connection cable open end	3	098 241 427
LED Outer and marker, right - 500 mm connection cable open end	3	098 241 428
Bulb 24V 5W HD, BA15s - for position light	4	098 624 075
Bulb 24V 21W amber HD, BAU15s - with amber lens for clear direction indicator light	5	091 624 078
Bulb 24V 21W HD, BA15s - for direct indicator	6	091 624 071

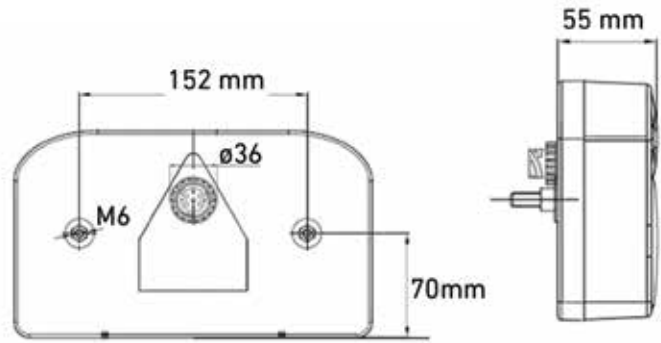
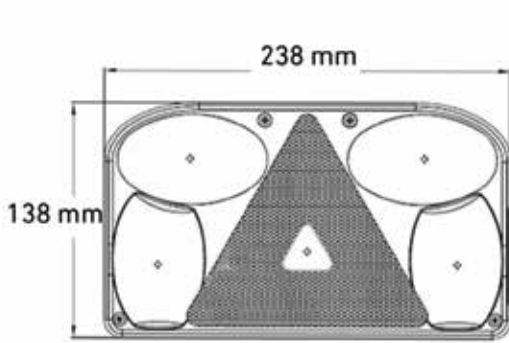
Tail lights bulb version 24V



Left



Right



Description

Lens: Polycarbonate
 Housing: Black plastic
 Dimension: 238 x 138 x 55 mm
 Bolt hole distance: 152 mm / M6

License plate-function can be covered

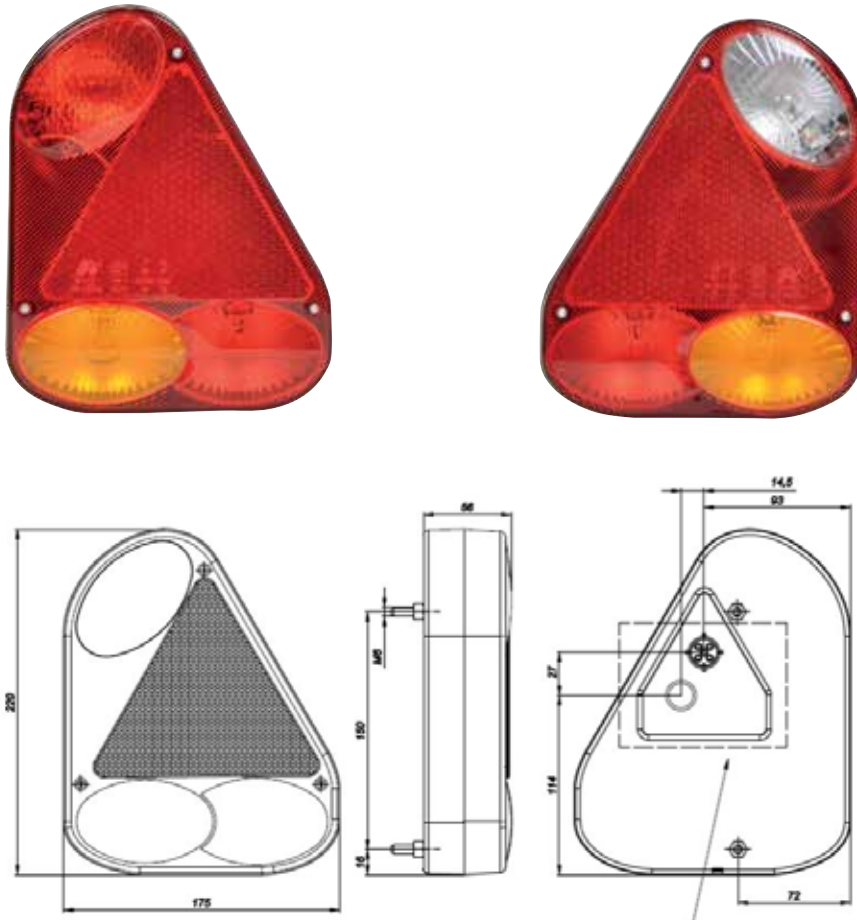


Application	IP Rating	Operation voltage	Left ← Right →	Position Stop Dir. indicator	Reverse	Rear fog	License plate	Sidemarker	Reflex reflector	Connection	Article No.
Universal	IP54	24V	←	✓	✓	✓	✓		✓	7 poled AMP 1.5 socket	098 215 080
Universal	IP54	24V	→	✓	✓	✓	✓		✓	7 poled AMP 1.5 socket	098 215 085

Spare parts

Bulb 24V 21W, BA15s	091 624 011
Bulb 24V 21W, BA15s	091 624 013

Tail lights bulb version 12V



Description

Lens: Polycarbonate
 Housing: Black plastic
 Dimension: 175,0 x 220,0 x 52,0 mm
 Bolt hole distance: 152 mm / M6

License plate-function can be covered

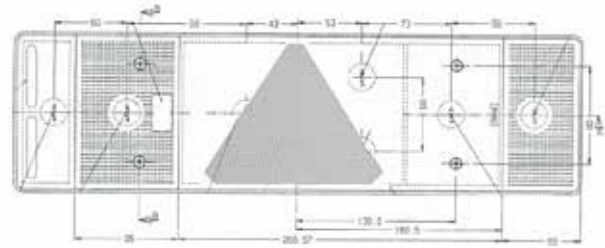
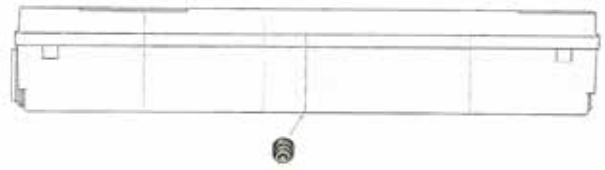


Application	IP Rating	Operation voltage	Left ← Right →	Position Stop Dir. indicator	Reverse	Rear fog	Reflex reflector	With 12V bulbs	Connection	Article No.
Universal	IP54	12V	←	✓		✓	△	✓	5 poled socket	098 215 150
Universal	IP54	12V	→	✓	✓		△	✓	5 poled socket	098 215 151

Spare parts

Bulb 24V 21W, BA15s	091 612 010
Bulb 24V 21W, BA15s	091 612 008

Tail lights bulb



Description

Lens: PMMA
 Housing: Black plastic
 Dimension: 465 x 130 x 83 mm
 Bolt hole distance: 152 mm

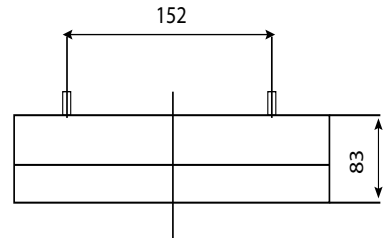
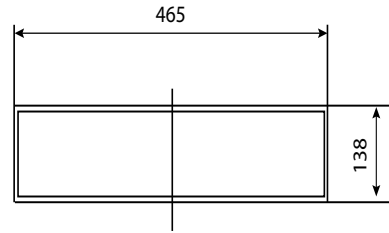


Wired and 2 bulb holders for the rear light area
 Bulb holder vibration absorber

Application	Lens	IP Rating	Left ← Right →	Position, Stop, Dir. indicator	Reverse	Rear fog	Outer end marker	Sidemarker	License plate	Reflex reflector	Connection	Suitable for	Article No.
DAF, Iveco, MAN Renault, Scania, Volvo	098 292 973	IP54	←	✓	✓	✓	✓	✓	✓	△	A	168 780	098 212 972
DAF, Iveco, MAN Renault, Scania, Volvo	098 292 975	IP54	→	✓	✓	✓	✓	✓		△	A	168 790	098 212 974
DAF, Iveco, MAN Renault, Scania, Volvo	098 292 973	IP54	←	✓	✓	✓	✓	✓		△	A	168 770	098 212 976

Tail lights bulb

E



Description

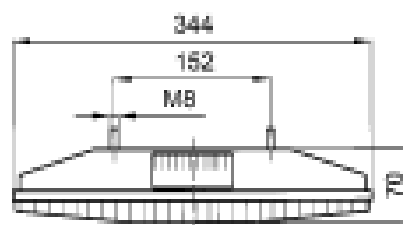
Lens: PMMA
 Housing: Black plastic
 Dimension: 465 x 128 x 83 mm
 Bolt hole distance: 152 mm



Wired and 2 bulb holders for the rear light area
 Bulb holder vibration absorber

Application	IP Rating	Lens	Left ← Right →	Position, Stop, Dir. indicator	Reverse	Rear fog	Outer end marker	Sidemarkers	Reflex reflector	Connection	Suitable for	Article No.
Mercedes Benz Sprinter	IP54	098 293 611	→	✓	✓	✓	✓	✓	△	A	-	098 213 610
Mercedes Benz Sprinter	IP54	098 293 613	←	✓	✓	✓	✓	✓	△	A	-	098 213 612

Tail lights bulb, 12/24V



Description

Lens: PMMA
 Housing: Black plastic
 Dimension: 344 x 146 x 70 mm
 Bolt hole distance: 152 mm

Horizontal or vertical mounting



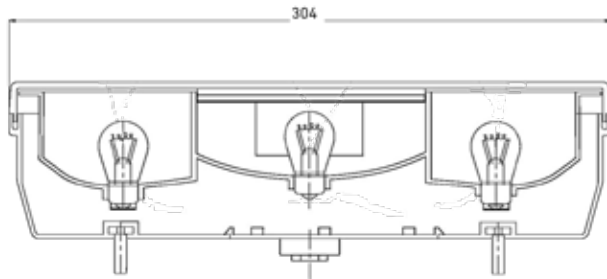
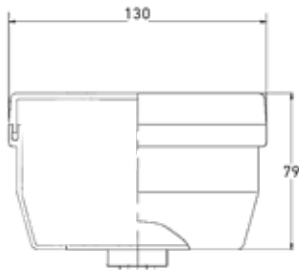
Socket version	IP Rating	Operation voltage	Left ← Right →	Position	Stop	Dir. indicator	License plate	Connection	Article No.
BA15s	IP54	12/24V	←	✓	✓	✓	✓	Cable lead through rubber grommet	098 212 561
BA15s	IP54	12/24V	→	✓	✓	✓		Cable lead through rubber grommet	098 212 571

Spare parts

Lens	098 292 573
Bulb 24V 21W, BA15s	091 624 011
Bulb 24V 10W, BA15s	091 624 013
Bulb 12V 21W, BA15s	091 612 010
Bulb 12V 10W, BA15s	091 612 012

Tail lights bulb

E



Description

Lens: PMMA
 Housing: Black plastic
 Dimension: 304 x 130 x 79 mm
 Bolt hole distance: 190 mm



6 poled AMP socket

Application	IP Rating	Lens	Left ← Right →	Position Stop Dir. indicator	Reverse	Rear fog	Reflex reflector	Connection	Suitable for	Article No.
Iveco Daily Chassis / Cab	IP64	098 294 055	←	✓	✓	✓	✓	6 poled	69500032	098 214 052
Iveco Daily Chassis / Cab	IP64	098 294 055	→	✓	✓	✓	✓	6 poled	69500026	098 214 053

Tail lights bulb 12/24V



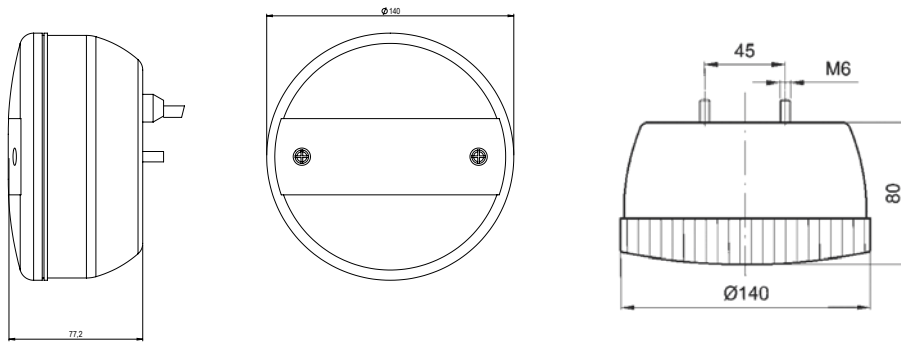
Pos. 1

Pos. 2

Pos. 3

Pos. 4

*) Variant with H3 bulb does not have an e-approval



Description

Lens: PMMA
 Housing: ABS
 Dimension: Ø140 mm x 80 mm
 Bolt hole distance: 45 mm / M6

Pos. 1, 3 and 4 delivered without bulb



Application	Operation voltage	Position	Stop	Dir. indicator	Reverse	Rear fog	Connection	Pos	Article No.
-------------	-------------------	----------	------	----------------	---------	----------	------------	-----	-------------

Universal	12/24V	✓	✓	✓			Cable lead through rubber grommet	1	098 212 352
Universal	12/24V	✓	✓	✓			Cable lead through rubber grommet	1	098 212 356
Universal	12/24V	✓	✓	✓			7 poled AMP 1.5 socket	2	098 212 351
Universal	12/24V	✓	✓	✓			7 poled AMP 1.5 socket with HD bulb	2	098 212 351
Universal	12/24V				✓		Cable lead through rubber grommet	3	098 256 040
Universal	12/24V					✓	Cable lead through rubber grommet	4	098 256 050

Spareparts TM1 GL Tail lights bulb 12/24V



Pos. 1



Pos. 2



Pos. 3



Pos. 4



Pos. 5



Pos. 6



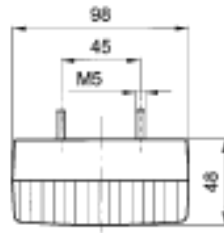
Pos. 7

Lens for position light with 2 screws and 1 sealing Suitable for 098 212 352 / 356 / 351	1	098 292 354
Lens, transparent for reverse light Suitable for 098 256 040	2	098 292 242
Chrome ring and built-in kit	3	098 292 360
Protection cover for reverse light	4	098 296 720
Bulb 24V 5W HD BA15s - for position light	5	091 624 075
Bulb 24V 21W HD BA15s - for stop- and rear fog	6	091 624 071
Halogen headlight H3, bulb 24V 70W H3, PK22s	7	091 324 003

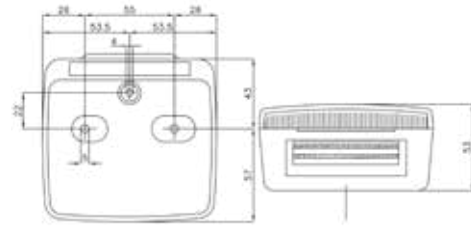
Tail lights bulb - 12V



Pos 1



Pos 2



Description

Socket version: BAY15d (1x21/5W), BA15s (1x21W)



Bulb	Operation voltage	Position	Stop	Dir. indicator	License plate	Connection	Pos	Article No.
Without bulb	12/24VV	✓	✓	✓	✓	Cable lead through rubber grommet	1	098 212 642
Without bulb	12/24V	✓	✓	✓	✓	Cable lead through rubber grommet	2	098 210 361

Spare parts

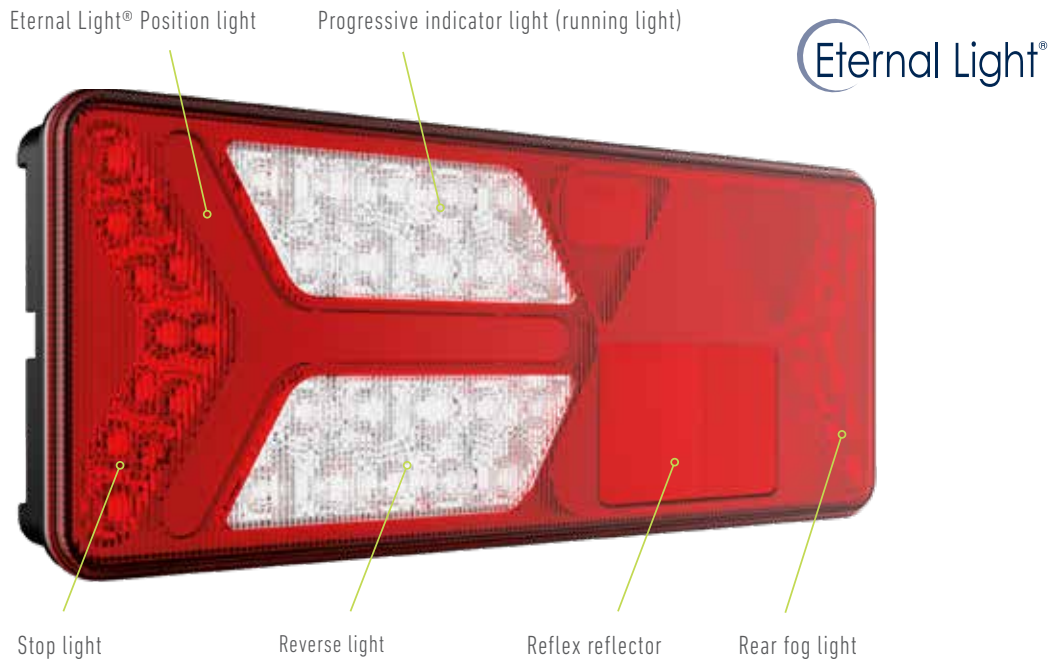
Bulb 12V, 21W for stop and direct indicator	091 612 010
Bulb 12V, 21/5W for stop and tail light	091 612 008
Bulb 24V, 21W for stop and direct indicator	091 624 011
Bulb 24V, 21/5W for stop and tail light	091 624 009

TAIL LIGHTS

Truck



TM11 Tail light 12/24V - LED for Truck



Type	Right → Left ←	Position Stop Dir. indicator Reverse Rear fog Reflex reflector	Outer end marker	Connection 7 poled AMP socket Direction:	2x2 Super Seal placed at the back*	SIMAC control integrated	LED control integrated	Article no.
LED	→	✓	Optional	Rear	✓	✓	Optional	098 216 570
LED	←	✓	Optional	Rear	✓	✓	Optional	098 216 571

LED failure control for monitoring of direction indicator and/or stop light is optional

Some vehicles can be reprogrammed to use LED tail light, whereas other vehicles do not offer this facility. In these cases, using ERMAX LED failure control, it is possible to achieve the correct settings, and still meet all regulations.

The truck version of ERMAX TM11 tail lights is already prepared for integrating the LED failure control of the direction indicator and stop light functions. One LED failure control unit (098298149) pr. lighting function should be mounted in each of the ERMAX TM11 tail lights. One unit for direction indicator light, if the direction indicator light is not recognized by the truck. Two units, if both lighting functions are not recognized by the truck.



+

LED control for direction indicator and stop light



LED control unit for direction indicator and stop light (098298149) - mounted in the back of the TM11 lygten

Spare parts & Accessories TM11 Tail lights 12/24V



Pos. 1



Pos. 2



Pos. 3



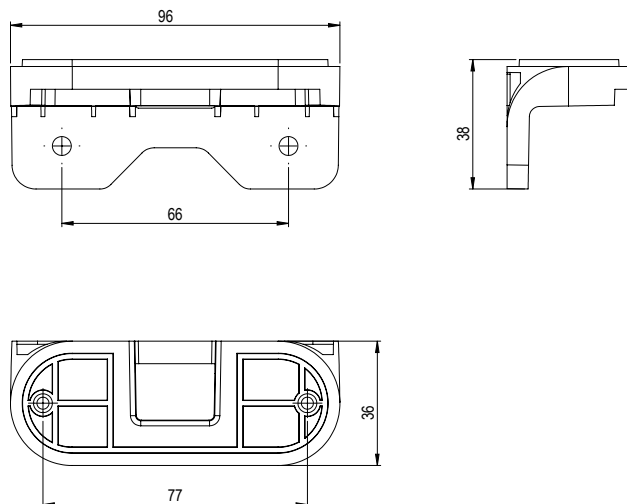
Pos. 4



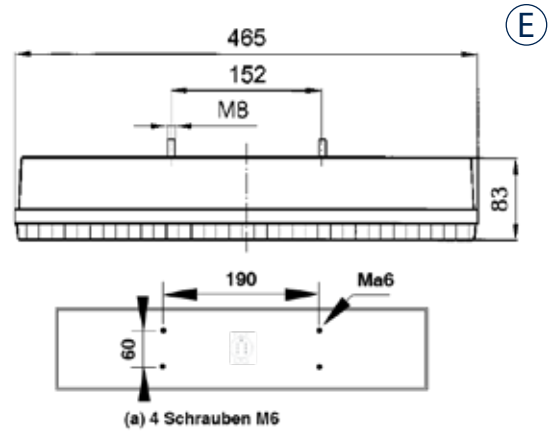
Pos. 5

Holder of plastic, angled, for outer end marker Delivered with 4 pcs. stainless torx screws. Mounting hole distance: 77 mm	1	098 292 610
LED outer end marker 12/24V, Right - 300 mm connection cable with Super Seal plug	2	098 241 448
LED outer end marker 12/24V, Left - 300 mm connection cable with Super Seal plug	2	098 241 449
Protection cover for tail light	3	098 296 710
Cover of LED control - For covering of SLD connection at TM11 Tightens and protects contacts for SLD-unit	4	098 296 700
LED-Control unit 12/24V for TM11 Tail light built-in For monitoring direction indicator or stop light. One unit per function is needed For mounting at the back of the housing light. Connection with 3 x spring-loaded contacts	5	098 298 149

Pos. 1



Tail lights bulb



A



6 poled
Connection socket

B



Pole connection socket

C



Cable seal

D



6 poled
Connection socket

E



6 poled AMP
socket
(Side mounting)

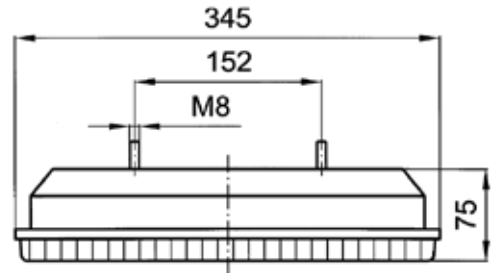
Description

Lens: PMMA
 Housing: Plastic
 Dimension: 465 x 130 x 83 mm
 Bolt hole distance: 152 mm

Wired and 2 bulb holders for the rear light area. Bulb holder vibration absorber

Application	Lens	Left ← Right →	Position Stop Dir. indicator	Reverse	Rear fog	Outer end marker	Sidemarkers	License plate	Reflex reflector	Connection	Suitable for	Article No.
Iveco / DAF/MAN	098 292 793	← →	✓	✓	✓	✓	✓		✓	A	-	098 212 953
Iveco / DAF/MAN	098 292 793	← →	✓	✓	✓	✓	✓	✓	✓	A	-	098 212 954
MAN TG-A	098 292 793	←	✓	✓	✓	✓	✓		✓	E	81 25225 6524	098 212 956
MAN TG-A	098 292 793	→	✓	✓	✓	✓	✓	✓	✓	E	81 25225 6523	098 212 957
Iveco	098 292 793	→	✓	✓	✓	✓	✓		✓	B	9946 3242	098 212 961
Iveco	098 292 793	←	✓	✓	✓	✓	✓	✓	✓	B	9946 3244	098 212 962
DAF 95/95XF	098 292 793	→	✓	✓	✓	✓	✓		✓	D	128 4212	098 212 806
DAF 95/95XF	098 292 793	←	✓	✓	✓	✓	✓	✓	✓	D	128 4211	098 212 807
Universal	098 292 793	→	✓	✓	✓	✓	✓		✓	C	168 270	098 212 969
Universal	098 292 793	←	✓	✓	✓	✓	✓	✓	✓	C	168 340	098 212 970
Spare parts												
Lens reflex reflector insert for sidemarkers lamp												098 292 959

Tail lights bulb



Description

Lens: PMMA
 Housing: Plastic
 Dimension: 345 x 135 x 75 mm
 Bolt hole distance: 152 mm



Cable lead through rubber grommet, Flat plug connection

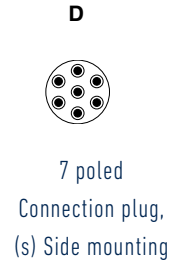
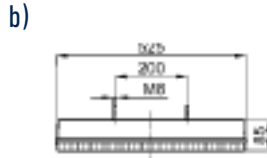
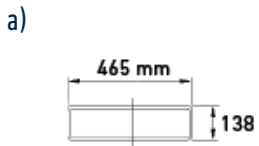
Wired and 2 bulb holders for the rear light area

Application	Lens	Left ← Right →	Position Stop Dir. indicator	Reverse	Rear fog	License plate	Reflex reflector	Connection	Article No.
Universal	098 292 733	←	✓	✓	✓	✓		A	098 212 731
Universal	098 292 733	←	✓	✓	✓			A	098 212 736
Universal	098 292 733	→	✓	✓	✓			A	098 212 741
Universal	098 292 753	←	✓	✓	✓	✓	✓	A	098 212 751
MAN	098 292 753	←	✓	✓	✓		✓	A	098 212 756
MAN	098 292 753	→	✓	✓	✓		✓	A	098 212 761

Tail lights bulb

E

Pos 1



Description

Lens: PMMA
 Housing: Plastic
 Dimension: Pos 1 - Dimension: 524 x 138 x 83 mm / Bolt hole distance: 200 mm / 1200 mm Connection cable
 Pos 2a - Dimension: 465 x 138 x 90 mm / Pos 2b - Dimension: 525 x 138 x 85
 Bolt hole distance: 200 mm

Wired and with Bulb holder vibration absorber

Application	Lens	IP Rating	Pos	Left ← Right →	Position, Stop, Dir. indicator	Reverse	Rear fog	Outer end marker	Sidemarkers	License plate	Reflex reflector	Connection	Suitable for	Article No.
Mercedes Benz Atego	098 293 363	IP54	2a	←	✓	✓	✓	✓	✓	✓	✓	C	002 544 53 03 003 544 56 03	098 213 381
Mercedes Benz Atego	098 293 363	IP54	2a	→	✓	✓	✓	✓	✓		✓	C	003 544 52 03 003 544 55 03	098 213 391
Mercedes Benz Atego & Actros	098 293 323	IP54	2b	←	✓	✓	✓	✓	✓	✓	✓	D (s)	001 540 62 70	098 213 346
Mercedes Benz Atego & Actros	098 293 333	IP54	2b	→	✓	✓	✓	✓	✓		✓	E (s)	001 540 63 70	098 213 356

Tail lights bulb



A Cable lead through rubber grommet



C 6 poled Connection socket (s) Side mounting



D 6 poled Connection socket (s) Side mounting



E

Description

Lens: PMMA
 Housing: Plastic
 Dimension: Pos 1 - Dimension: 465 x 130 x 83 mm
 Pos 2 - Dimension: 516 x 130 x 83 mm
 Bolt hole distance: 152 mm / 160mm

Wired and 2 bulb holders for the rear light area
 Bulb holder vibration absorber

Application	Lens	IP Rating	Left ← Right →	Position, Stop, Dir. indicator	Reverse	Rear fog	Outer end marker	Sidemarker	License plate	Reflex reflector	Connection	Suitable for	Pos	Article No.
Scania 3, >1996	098 292 793	IP54	←	✓	✓	✓	✓	✓	✓	✓	A	1365 963	1	098 212 963
Scania 3, >1996	098 292 793	IP54	→	✓	✓	✓	✓	✓		✓	A	1365 964	1	098 212 964
Scania 4, 1996 >	098 293 163	IP54	←	✓	✓	✓	✓	✓	✓	✓	A	1436 867	2	098 213 161
Scania 4, 1996 >	098 293 163	IP54	→	✓	✓	✓	✓	✓		✓	A	1436 868	2	098 213 171
Scania R	098 293 163	IP54	←	✓	✓	✓	✓	✓	✓	✓	C (s)	1498102	2	098 213 163
Scania R	098 293 163	IP54	→	✓	✓	✓	✓	✓		✓	C (s)	1498103	2	098 213 162
Scania R	098 293 163	IP54	←	✓	✓	✓	✓	✓	✓	✓	D (s)	1392387	2	098 213 168
Scania R	098 293 163	IP54	→	✓	✓	✓	✓	✓		✓	D (s)	1392374	2	098 213 167
Scania R	098 293 163	IP54	←	✓	✓	✓	✓	✓	✓	✓	E	1792375	2	098 213 178
Scania R	098 293 163	IP54	→	✓	✓	✓	✓	✓		✓	E	1792374	2	098 213 177

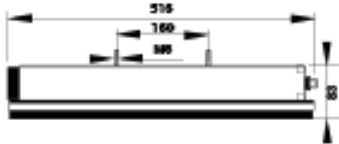
Spare parts

Lens reflex reflector insert for Sidemarker lamp - For 098 212 963 / 964 / 969 / 970	098 292 959
--	-------------

Tail lights bulb



Pos 1



6 poled Connection socket
(s) Side mounting

Description

Lens: PMMA
 Housing: Plastic
 Dimension: Pos 1 - Dimension: 430 x 124 x 94 mm
 Pos 2 - Dimension: 465 x 130 x 80 mm
 Bolt hole distance: 160mm

Wired and 2 bulb holders for the rear light area
 Bulb holder vibration absorber

Application	Lens	IP Rating	Left ← Right →	Position, Stop, Dir. indicator	Reverse	Rear fog	Outer end marker	Sidemarker	License plate	Reflex reflector	Connection	Suitable for	Pos	Article No.
Volvo F, FM & FH 8 /1998 >	098 293 163	IP54	←	✓	✓	✓	✓	✓	✓	✓	C (s)	3981 455	3	098 213 141
Volvo F, FL & FH 8/1998	098 293 163	IP54	→	✓	✓	✓	✓	✓		✓	C (s)	3981 456	3	098 213 151

Spare parts

Lens reflex reflector insert for Sidemarker lamp - For: 098 214 465 / 475	098 292 959
---	-------------

LICENSE PLATE LIGHTS

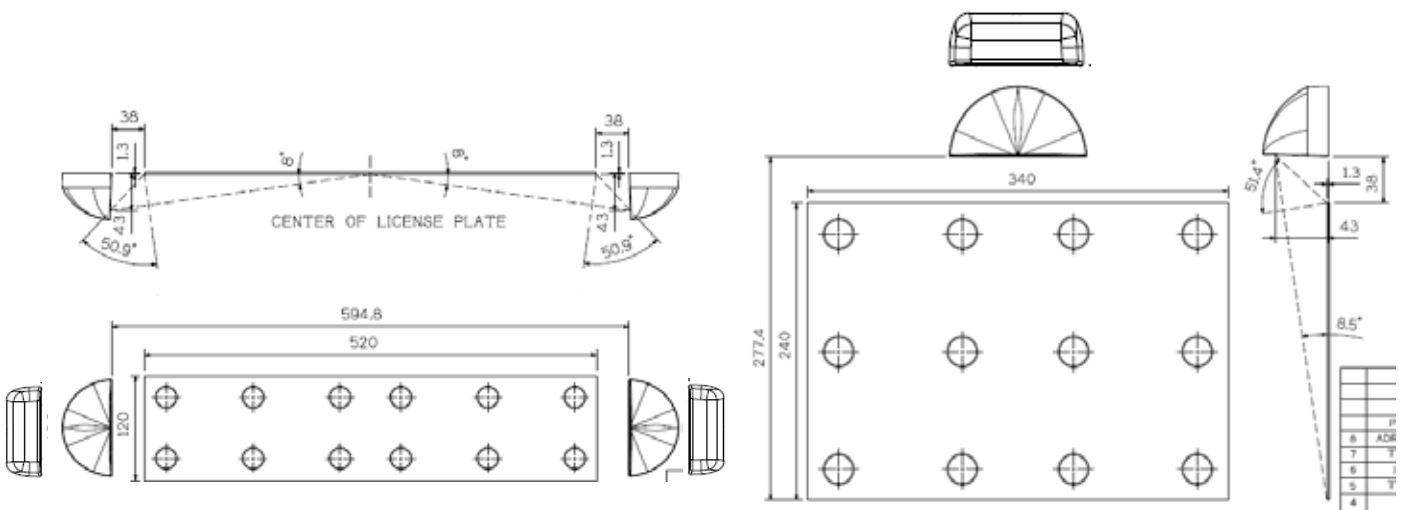
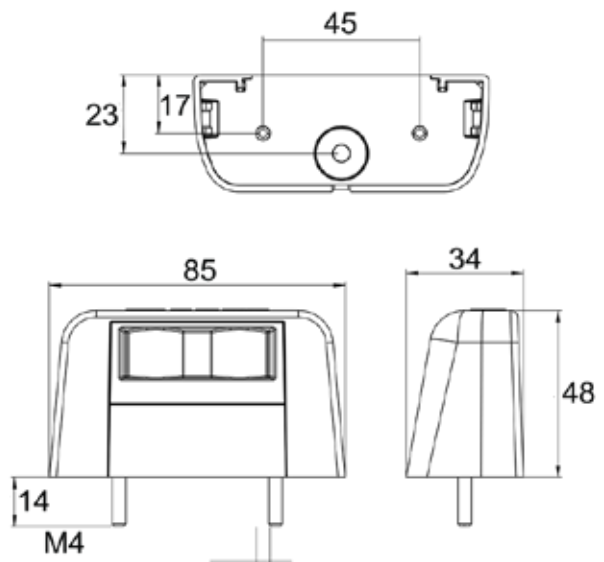
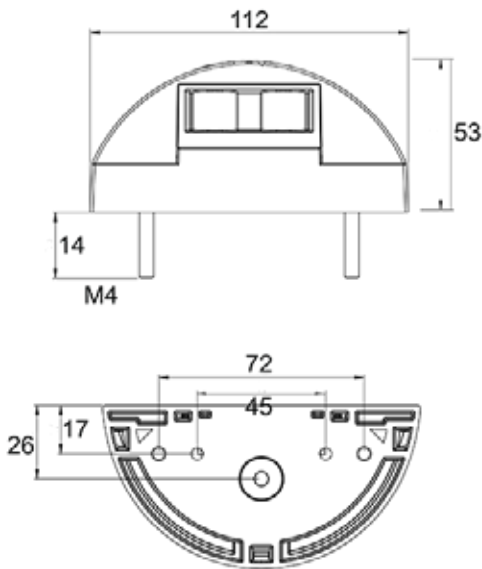




Pos. 1



Pos. 2



LED License plate light 12/24V

Description

Lens: PMMA
 Housing: ABS

Half-round design

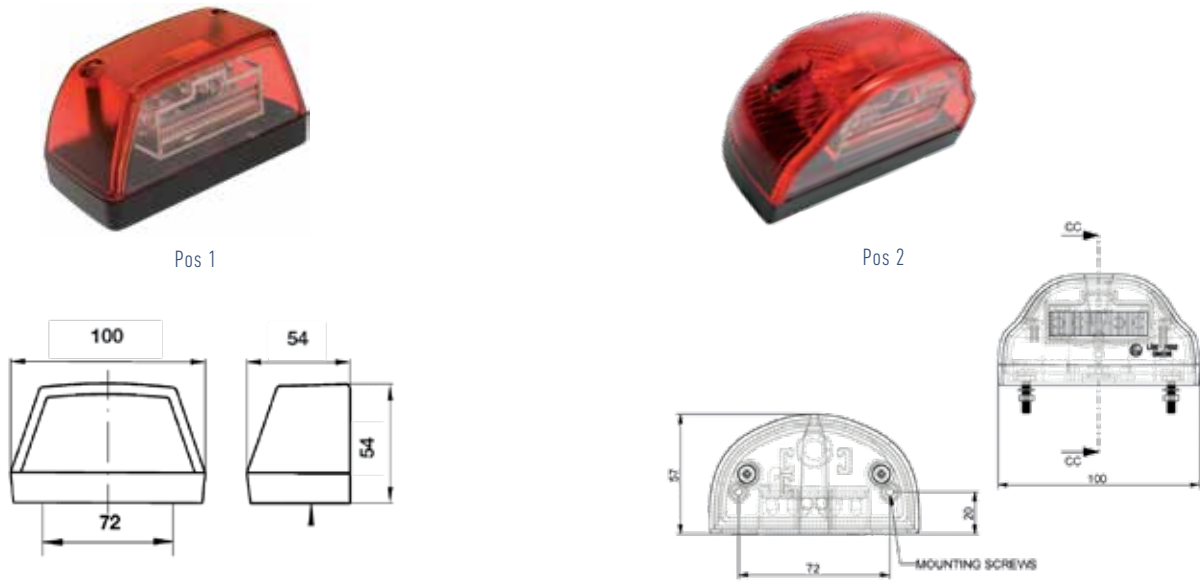
Dimension: 112 x 57 x 53 mm
 Bolt distance: 45 mm or 72 mm / M4

Square design

Dimension: 85 x 34 x 48 mm
 Bolt distance: 45 mm / M4

Operating voltage	IP Rating	Connection	Cable length	Bolt hole distance	LED	Pos.	Article No.
12/24V	IP54	Click-in 1,5 mm ²	500 mm	45 / 72 mm	2	1	098 254 330
12/24V	IP54	Click-in 1,5 mm ²	500 mm	45 mm	2	2	098 254 340
12/24V	IP54	Click-in 1,5 mm ²	1.500 mm	45 / 72 mm	2	1	098 254 332
12/24V	IP54	Click-in 1,5 mm ²	1.500 mm	45 mm	2	2	098 254 342
12/24V	IP54	Super Seal Steckdose	500 mm	45 / 72 mm	2	1	098 254 334
12/24V	IP54	Super Seal Steckdose	500 mm	45 mm	2	2	098 254 344
12/24V	IP54	Super Seal plug	1.200 mm	45 / 72 mm	2	1	098 254 335
12/24V	IP54	Super Seal plug	1.200 mm	45 mm	2	2	098 254 345
12/24V	IP54	Super Seal plug	2.000 mm	45 / 72 mm	2	1	098 254 350
12/24V	IP54	Open end	2.500 mm	45 / 72 mm	2	1	098 254 336
12/24V	IP54	Open end	2.500 mm	45 mm	2	2	098 254 346
12/24V	IP54	Cable lead through rubber grommet	--	45 / 72 mm	2	1	098 254 338
12/24V	IP54	Cable lead through rubber grommet	--	45 mm	2	2	098 254 348

License plate lights LED / Bulb12/24V



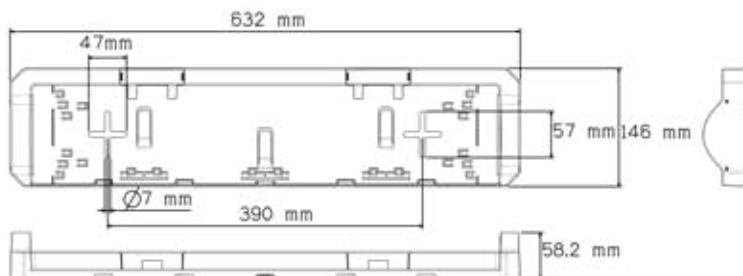
Description

Lens: PMMA
 Housing: ABS
 Dimension: Pos 1 - LED: 100 x 54 x 54 mm
 Bulb: 100 x 54 x 54 mm

Operation voltage	IP Rating	Light source	Connection	Cable length	Bolt hole distance	Conductor cross-section	Pos	Article No.
12V	IP67	LED	Cable lead through rubber grommet	---	72 mm	1,5 mm ²	1	098 254 165
24V	IP67	LED	Cable lead through Rubber grommet	---	72 mm	1,5 mm ²	1	098 254 167
12V	IP67	LED	Cable lead through rubber grommet	---	72 mm	1,5 mm ²	2	098 254 243
24V	IP67	LED	Cable lead through rubber grommet	---	72 mm	1,5 mm ²	2	098 254 246
24V	IP67	LED	Click-In	1.500 mm	72 mm	1,5 mm ²	2	098 254 249

LED license plate carrier 12/24V

Ⓔ EMC



Description

Dimensions: L x B x H: 625 x 145 x 55 mm

Bolt distance: 445-535 mm / Ø7 mm

Material: Black ABS

Consumption: 0,8W

Operation voltage	Light source	Connection	Cable length	Bolt distance	ADR	Artikel-Nr.
12V	LED	Click-In	1500 mm	445-535 mm		098 254 312
24V	LED	Click-In	500 mm	445-535 mm / Ø7		098 254 324
24V	LED	Super-Seal-Stecker	1800 mm	445-535 mm / Ø7		098 254 326

Clips for license plate carrier



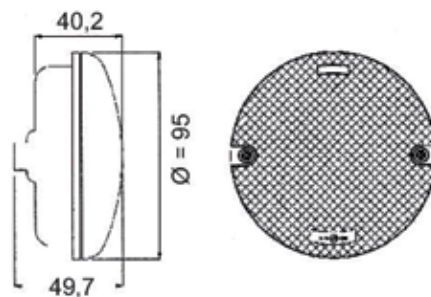
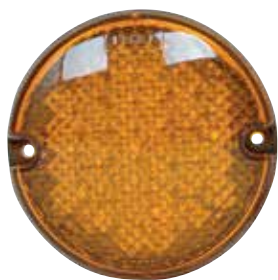
Clips for license plate carrier. 2 clips are needed for each license plate carrier.

098 292 300

WARNLEUCHTEN - BLITZ



Direction indicator lights LED 12/24V



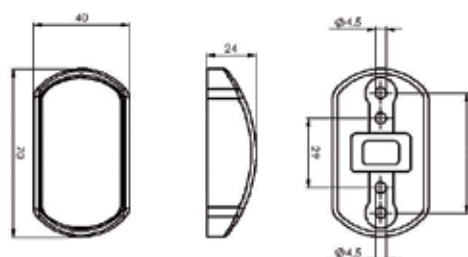
Description

Lens: PMMA
Housing: ABS



Light source	IP Rating	Operation voltage	Dimension	Cable length	Connection	Bolt hole distance	Article No.
LED	IP67	24V	Ø98 x 26,2 mm	500 mm	Open end	80 mm	098 226 094

Direction indicator lights LED 9-33V



Description

Lens: PMMA
Housing: ABS

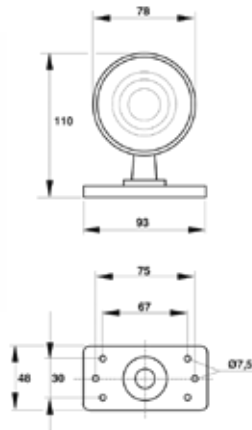


Light source	IP Rating	Operation voltage	Dimension	Cable length	Connection	Bolt hole distance	Article No.
LED - 4 St	IP67	9-33V	70 x 40 x 24 mm	500 mm	Open end	29 or 50 mm	998 221 501

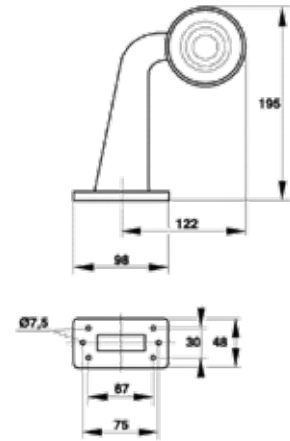
Direction indicator lights, LED 12/24V



Pos 1



Pos 2



Description

Lens: PMMA
Housing: Rubber

2 impact resistant LED units in each light. 6 LED pro LED units



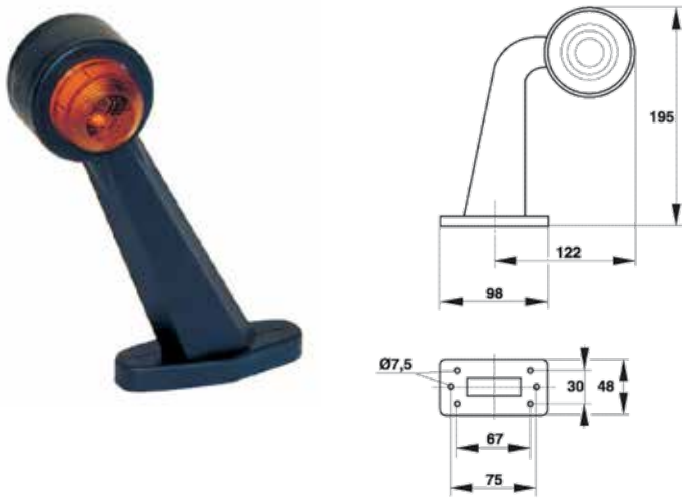
Light source	IP Rating	Operation voltage	Connection	Variant	Pos	Article No.
LED	IP54	12/24V	1500 mm cable open end	360° swiveling, short	1	098 221 800
LED	IP54	12/24V	1500 mm cable open end	360° swiveling, inclined	2	098 221 076

Spare parts

LED-units	098 291 049
Rubber gasket , inclined for 098 221 076	098 291 119

Direction indicator lights, Bulb 12/24V

E



Socket version	IP Rating	Operating voltage	Connection	Surface mounting	Article No..
BA15s	IP54	12/24V	Flat plug	360° swiveling, inclined	098 221 171

Spare parts

Bulb holder	098 291 127
Bulbholder with cable	098 291 125
Bulbholder for 2 lamps, plastic	098 291 166
Rubber gasket , inclined for 098 221 171	098 291 119

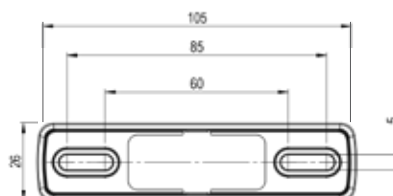
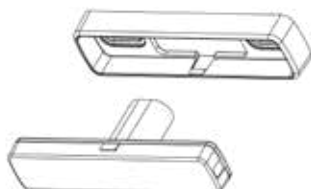
SIDEMARKER & POSITION LIGHT



LED Side marker 12/24V



Standard frame - with Super Seal socket



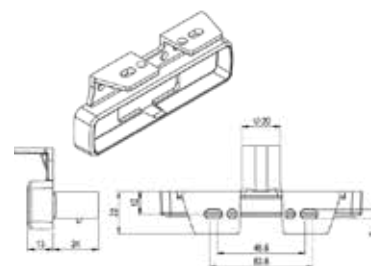
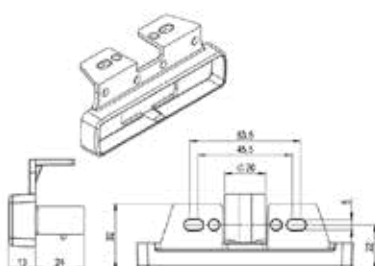
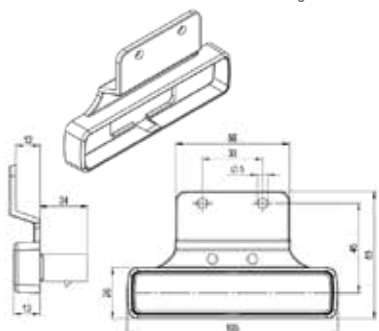
Mounting bracket straight



Backwards 90°



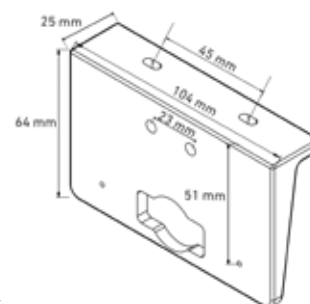
Forwards 90°




- Mounting without visible screws
- 2 LED
- 4 Mounting variants
- 3 cable versions
- IP69K Rating



Universal Rubber holder



Description

LED Side marker- and position light
 2 LED and with reflex reflector
 IP69K rating

Lens:	PMMA
Housing:	ABS
Frame:	PP
Dimension:	B105 x H26 x T13 mm (standard frame)
Variable hole distance:	60-85 mm

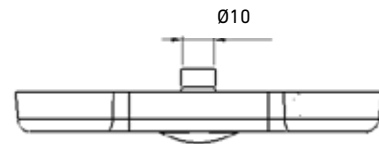
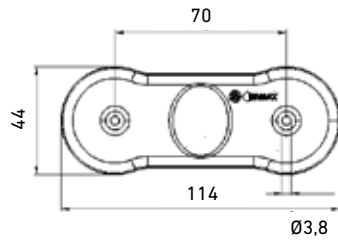
LED Side marker 12/24V

Mounting bracket	Connection	Cable length	Operating voltage	Side marker amber	Position lights White	Position lights Red
Standard frame	Super Seal socket	---	12/24V	098 221 726	098 230 726	098 204 726
Straight	Super Seal socket	----	12/24V	098 221 742		
90° bracket backwards	Super Seal socket	----	12/24V	098 221 748		
90° bracket forwards	Super Seal socket	----	12/24V	098 221 756		
Standard frame	Super Seal socket	500 mm	12/24V	098 221 727		
90° bracket backwards	Super Seal socket	1.500 mm	12/24V	098 221 745		
Standard frame	Super Seal plug	2.500 mm	12/24V		098 230 728	
Standard frame	Super Seal plug	5.000 mm	12/24V		098 230 736	
Standard frame	Click-in	500 mm	12/24V	098 221 720	098 230 720	098 204 720
Standard frame	Click-in	1.500 mm	12/24V	098 221 722	098 230 722	098 204 722
Standard frame	Click-in	5.000 mm	12/24V	098 221 724	098 230 724	098 204 724
Straight mounting bracket	Click-in	1.500 mm	12/24V	098 221 740		
90° bracket backwards	Click-in	500 mm	12/24V	098 221 744		
90° bracket backwards	Click-in	1.500 mm	12/24V	098 221 746		
90° bracket forwards	Click-in	500 mm	12/24V	098 221 752		
90° bracket forwards	Click-in	1.500 mm	12/24V	098 221 754		
Standard frame	Open end	500 mm	12/24V	098 221 730		
Standard frame	Open end	2.500 mm	12/24V	098 221 732	098 230 732	098 204 732 *
Standard frame	Open end	5.000 mm	12/24V	098 221 734	098 230 734	098 204 734
Standard Rahmen	Super Seal Stecker	5.000	12/24V		098 230 736	

Spare parts

Standard frame	098 292 700
Mounting bracket, straight, hole distance 30 mm	098 292 701
Mounting bracket - 90° bracket backwards, hole distance 30-55 mm	098 292 702
Mounting bracket - 90° bracket forwards, hole distance 30-55 mm	098 292 703
Universal rubber holder- 90° bracket backwards, hole distance 45-55 mm	098 292 629

LED Side marker - 12/24V



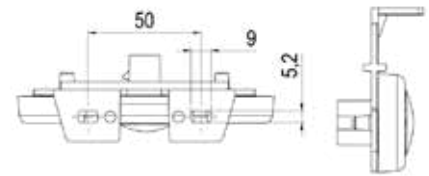
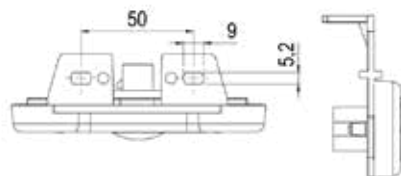
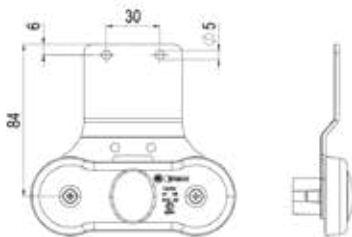
Mounting bracket Straight



Rear 90°



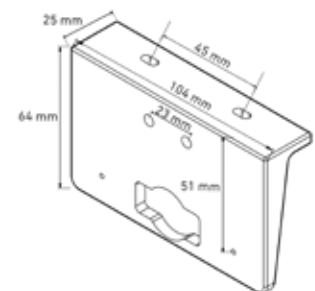
Forwards 90°



- Standardized mounting
- 2 LEDs
- 4 Mounting-variants
- 4 cable-versions
- IP69K Rating



Universal rubber bracket



Description

LED Side marker- and position light

2 LEDs and with reflex reflector

Mounting screw with Ø4 must be used

Lens: PMMA

Housing: ABS

Frame: PP

Dimension: B114 x H44 x T16 mm

Hole distance: 70 mm

IP69K rating

LED Side marker - 12/24V

Mounting bracket	Connection	Cable length	Operating voltage	Side marker amber	Position lights White	Position lights Red
Without mounting bracket	Super Seal socket	- - -	12/24V	098 221 620	098 230 401	098 204 501
Straight mounting bracket	Super Seal socket	- - -	12/24V	098 221 630		
90° bracket backwards	Super Seal socket	- - -	12/24V	098 221 640	098 230 430	
90° bracket forwards	Super Seal socket	- - -	12/24V	098 221 650		
Without mounting bracket	Super Seal socket	500 mm	12/24V	098 221 635		
Without mounting bracket	Super Seal socket	1.500 mm	12/24V	098 221 628	098 230 428	
90° bracket forwards	Super Seal socket	1.500 mm	12/24V	098 221 664		
Without mounting bracket	Super Seal plug	2.500 mm	12/24V		098 230 418	
Without mounting bracket	Super Seal plug	5.000 mm	12/24V	098 221 627		
Without mounting bracket	Super Seal plug	10.000 mm	12/24V	098 221 629	098 230 431	
90° bracket backwards	Super Seal socket	1.500 mm	12/24V	098 221 662		
Without mounting bracket	Click-in	500 mm	12/24V	098 221 621	098 230 405	098 204 502
Without mounting bracket	Click-in	1.500 mm	12/24V	098 221 622	098 230 415	098 204 503
Without mounting bracket	Click-in	5.000 mm	12/24V	098 221 623	098 230 450	098 204 504
Straight mounting bracket	Click-in	500 mm	12/24V	098 221 631		
90° bracket backwards	Click-in	500 mm	12/24V	098 221 641		
90° bracket backwards	Click-in	1.500 mm	12/24V	098 221 642		
90° bracket forwards	Click-in	500 mm	12/24V	098 221 651		
90° bracket forwards	Click-in	1.500 mm	12/24V	098 221 652		
Without mounting bracket	Open end	500 mm	12/24V	098 221 624	098 230 420	098 204 505
Without mounting bracket	Open end	1.500 mm	12/24V	098 221 625	098 230 425	
Without mounting bracket	Open end	2.500 mm	12/24V			098 204 506
Without mounting bracket	Open end	5.000 mm	12/24V	098 221 626	098 230 427	098 204 507

Spare parts LED Side marker - 12/24V



Pos. 1 - Straight



Pos. 2 - Backwards 90°



Pos. 3 - Forwards 90°



Pos. 4



Pos. 5



Pos. 6



Pos. 7



Pos. 8



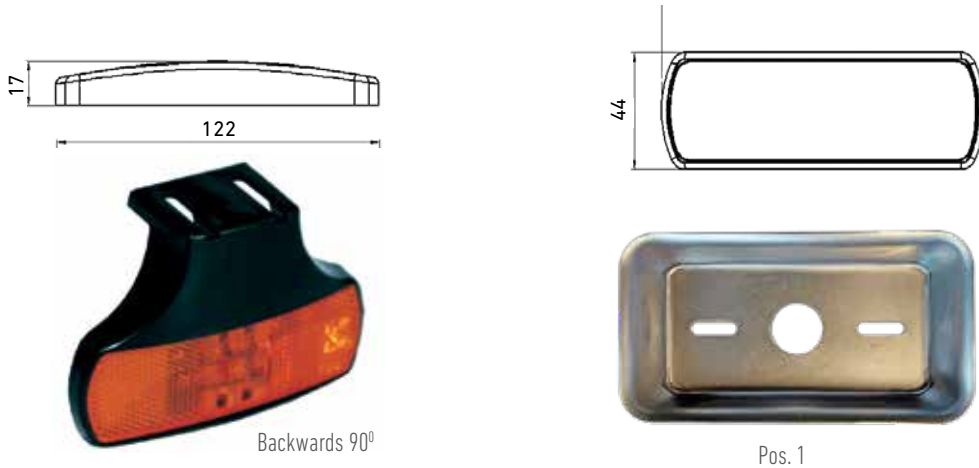
Example with Pos. 7 + 8

Mounting bracket, straight, hole distance 30 mm	1	098 292 622
Mounting bracket - 90° bracket backwards, hole distance 30-55 mm	2	098 292 620
Mounting bracket - 90° bracket forwards, hole distance 30-55 mm	3	098 292 621
Seal - 10 pcs packing unit, black rubber	4	098 292 626
Rivet - 20 pcs packing unit, black plastic, Ø4 mm	5	098 291 602
Rivet - 100 pcs packing unit, black plastic, Ø4 mm	5	098 291 610
Mounting bracket, Rubber, for mudwingholders	6	098 292 627
Universal rubber bracket - 90° bracket backwards, hole distance 45-55 mm	7	098 292 629
Mounting bracket, rubber, for mudwingholders. Usable with Ermax front position marker	8	098 292 628

LED Side marker 12/24V



Flat mounting - Without mounting bracket



Description

LED Side marker- and position light - Bi-polarity

4 light diodes and with reflex reflector

Lens: PMMA

Housing: PP

Dimension: B122 x H44 x T17

Mounting bracket	Connection	Cable length	Operation voltage	IP Rating	Position White	Side marker amber	Position Red
Flat mounting	Open end	500 mm	12/24V	IP67	098 230 601	098 221 601	098 203 601
Flat mounting	Open end	5.000 mm	12/24V	IP67	098 230 605	098 221 605	098 203 605
Flat mounting	Open end	10.000 mm	12/24V	IP67		098 221 610	
90° bracket backwards	Open end	500 mm	12/24V	IP67		098 221 611	

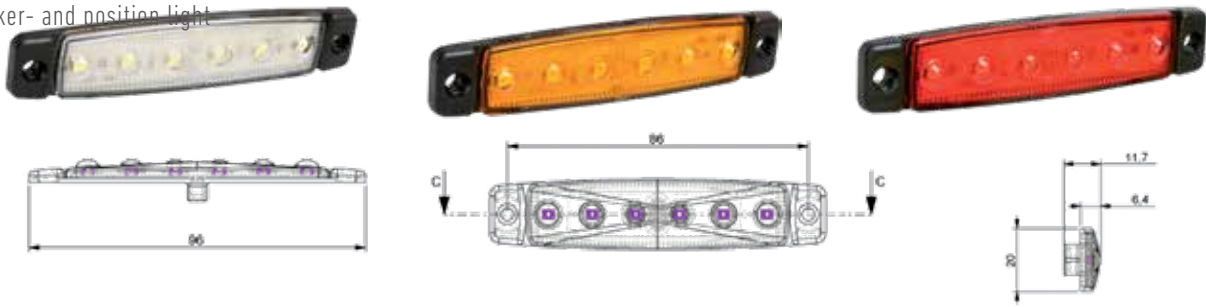
Spare parts

Protective body, Sheet steel.	suitable for most of the common side markers.	Pos. 1	098 291 917
-------------------------------	---	--------	--------------------

Sidemarker light LED 12/24V

(E) SM1

Sidemarker- and position light



Description

Lens: PMMA
 Housing: PP
 Dimension with frame: 96 x 20 x 6,4 mm
 Bolt hole distance: 86 mm

6 LED without reflex reflector - reverse polarity protected



Mounting bracket	Connection	Cable length	Operation voltage	Light source	IP Rating	Position White	Sidemarker Amber	Position Red
Flat mounting	Open end	350 mm	12V/24V	6 LED's	IP67	098 230 423	098 221 423	098 200 423
Flat mounting	Open end	5.000 mm	12V/24V	6 LED's	IP67	098 230 426	098 221 426	098 200 426

Sidemarker light LED 9-33V

(E)



Description

Lens: PMMA
 Housing: Plastic
 Dimension with frame: 70 x 40 x 24 mm
 Bolt hole distance: 29 mm / 50 mm

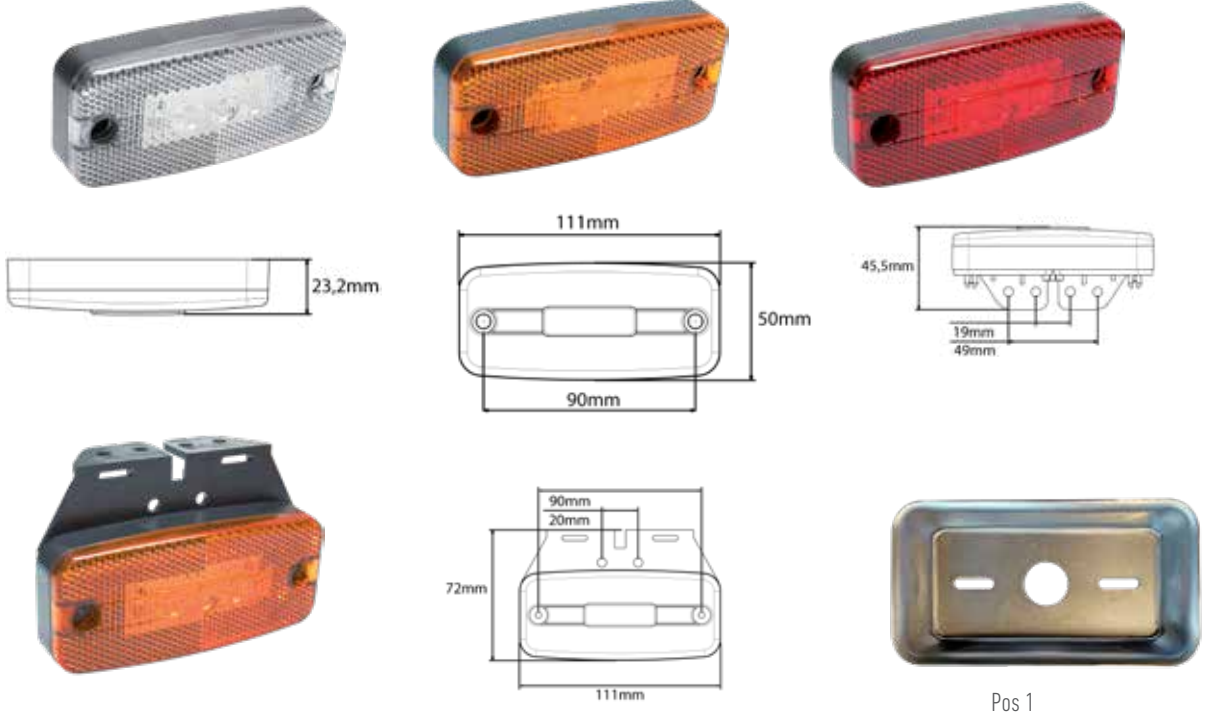
4 LED without reflex reflector



Anbauhalterung	Anschluss	Kabellänge	Spannung	Lichtquelle	IP Rating	Position Weiss	Seitenmarkierung Orange	Position Rot
Plan montiert	Open end	500 mm	9-33V	4 LED's	IP67	098 230 501	998 221 501 *	098 203 501

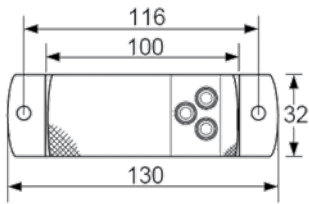
*) 998 221 501 haben keine E-Genehmigung

E SM1



Sidemarker light LED 12/24V

Sidemarker- and position light



Pos 1



Pos 2

Description

Lens: PMMA
 Housing: Plastic
 Dimension without mounting bracket: B x H x T: 130 x 32 x 7 mm
 Bolt hole distance: 90 mm

3 LED without reflex reflector

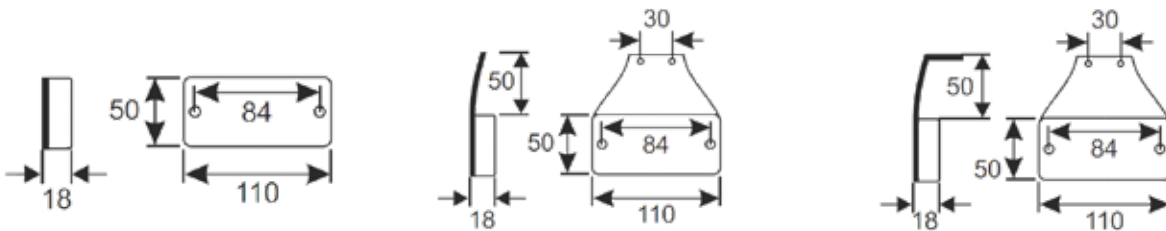
Surface mounting	Connection	Cable length	Operation voltage	Light source	IP Rating	Position White	Sidemarker Amber	Position Red
Horizontal	Super Seal socket Suitable for DAF 1697119	200 mm	12/24V	3 LED's	IP67		098 221 397	
Horizontal	Open end	500 mm	12/24V	3 LED's	IP67	098 231 873		098 201 873
Horizontal	Open end	1.500 mm	12/24V	3 LED's	IP67		098 221 874	
Horizontal	Open end	5.000 mm	12/24V	3 LED's	IP67	098 231 875	098 221 876	098 201 875
Horizontal	Open end	10.000 mm	12/24V	3 LED's	IP67		098 221 896	
Vertical	Open end	1.500 mm	12/24V	3 LED's	IP67		098 221 884	

Spare parts

Holder forwards 90°	Pos 1	098 291 278
Gasket, Black rubber	Pos 2	098 292 870

Sidemarker light LED 12/24V

E SM1



Description

Lens: PMMA
 Housing: ABS
 Dimension : 62 x 62 x 26 mm
 Bolt hole distance: 25 mm

2 LED, with reflex reflector and flexible bracket

Mounting bracket	Connection	Cable length	Operation voltage	Light source	IP Rating	Suitable for	Sidemarker Amber
Flat	2 poled AMP plug	-	12/24V	2 LEDs	IP67	11170068	098 221 850
Straight	2 poled AMP plug	-	12/24V	2 LEDs	IP67		098 221 852
Backwards 90°	2 poled AMP plug	-	12/24V	2 LEDs	IP67		098 221 854

Sidemarker light LED 24V

E SM1



Description

Lens: PMMA
 Housing: ABS
 Dimension : 130 x 32 x 7 mm
 Bolt hole distance: 116 mm

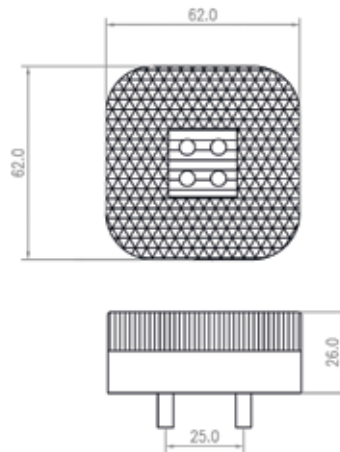
1 LED, with reflex reflector and with forwards 90° mounting bracket

Surface mounting	Connection	Cable length	Operation voltage	Light source	IP Rating	Sidemarker Amber
Horizontal/Vertical	Rubber grommet	--	24V	1 LED	IP67	098 221 397

E SM1

Sidemarker light LED 24V

MAN L2000 2000>, F2000 2000>, TA-A 1999>



Description

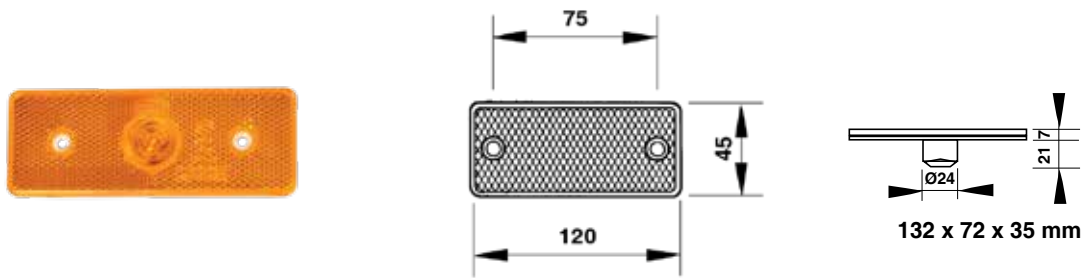
Lens: PMMA
 Housing: Plastic
 Dimension : 130 x 32 x 7 mm
 Bolt hole distance: 116 mm

LED without reflex reflector

Surface mounting	Connection	Cable length	Operation voltage	Light source	IP Rating	Suitable for	Sidemarker Amber
Horizontal	AMP socket and polyflex	1.200 mm	24V	4 LED	IP54	81.25260-6104	098 221 706

Sidemarker light LED 24V - Mercedes-Benz Actros, Evobus Setra

E SM1



Description

Lens: PMMA
 Housing: Plastic
 Dimension: B x H x T: 120 x 45 x 35 mm
 Bolt hole distance: 75 mm
 Mounting depth: 21 mm

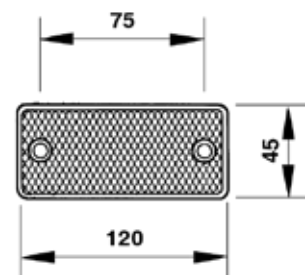
4 LED without reflex reflector



Surface mounting	Connection	Cable length	Operation voltage	Light source	IP Rating	Sidemarker Amber
Horizontal	Open end	200 mm	24V	4 LED	IP67	098 221 354

Sidemarker light LED 24V - MAN Bus / Mercedes

E SM1



Description

Lens: PMMA
 Housing: Plastic
 Dimension : 120 x 45 mm
 Bolt hole distance: 75 mm

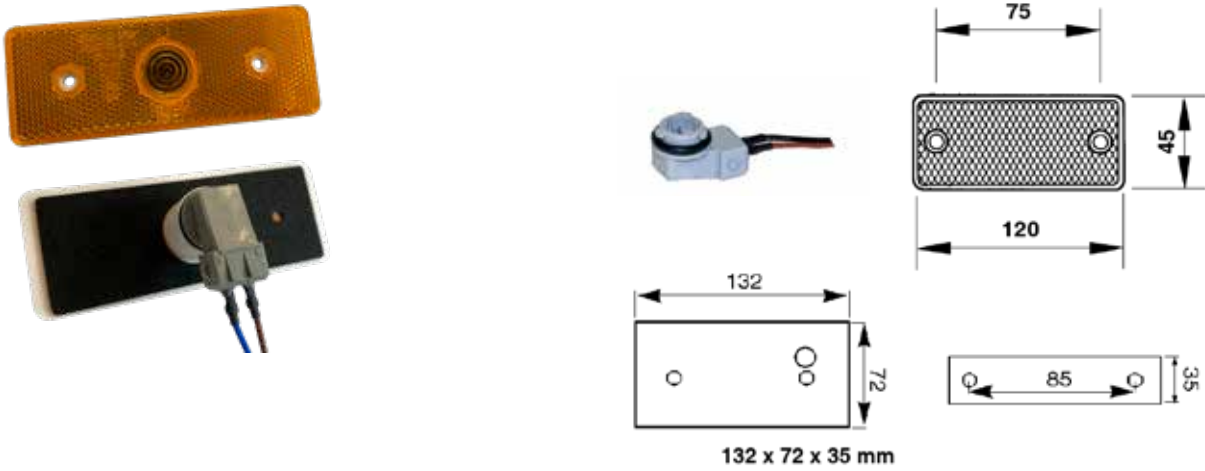
With Reflex reflector



Surface mounting	Connection	Cable length	Operation voltage	Light source	IP Rating	Suitable for	Sidemarker Amber
Horizontal	2-poled AMP plug	600 mm	24V	LED	IP54	81 25260 6095	910 221 826
Horizontal	2-poled AMP plug	600 mm	24V	LED	IP54	A 000 544 49 11	910 221 827

Sidemarker light bulb 12/24V - MAN bus

E SM1



Description

Lens: PMMA
 Housing: Plastic
 Dimension: 120 x 45 mm
 Bolt hole distance: 75 mm
 Build-in depth: 40 mm

Plastic housing with Bulb holder unit for wedge base bulb and sealed cable
 With reflex reflector



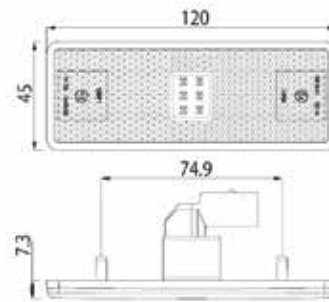
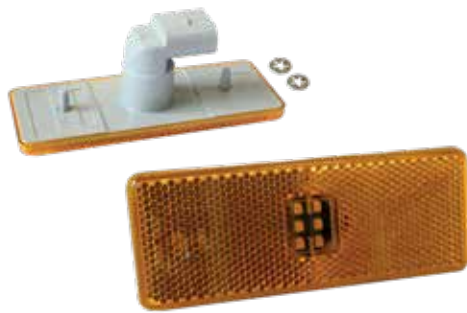
Build-in	Connection	Cable length	Light	Light source	IP Rating	Suitable for	Sidemarker Amber
Horizontal	Open end	200 mm	Without bulb	Bulb	IP54	81 25260 6077	098 221 350

Spare parts

Sealed bulb holder units with 200 mm cable	098 291 357
--	-------------

Sidemarker light LED 9-33V - Mercedes Benz Actros

(E) SM1



Description

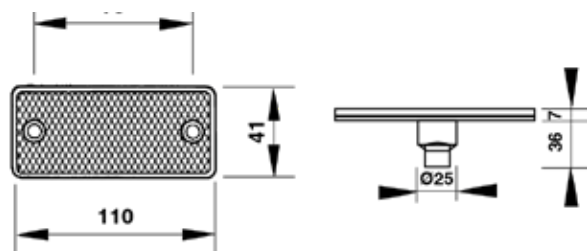
Lens: PMMA
 Housing: Plastic with Clips
 Dimension: 120 x 45 x 9 mm
 Bolt hole distance: 75 mm
 Build-in depth: 37 mm
 Splash water protected with sealed cableexit



Surface mounting	Connection	Cable length	Operation voltage	Light source	IP Rating	Suitable for	Sidemarker Amber
Horizontal/ Vertical	Open end	1000 mm	9-33V	6 LED	IP67	000 544 72 11 000 544 54 11	098 221 353
Horizontal/ Vertical	2-poled MCP2 plug		9-33V	6 LED	IP67	000 544 52 11 375 544 02 11	098 221 357

Sidemarker light LED 24V - Mercedes Benz Actros SKL Serie

(E) SM1



Description

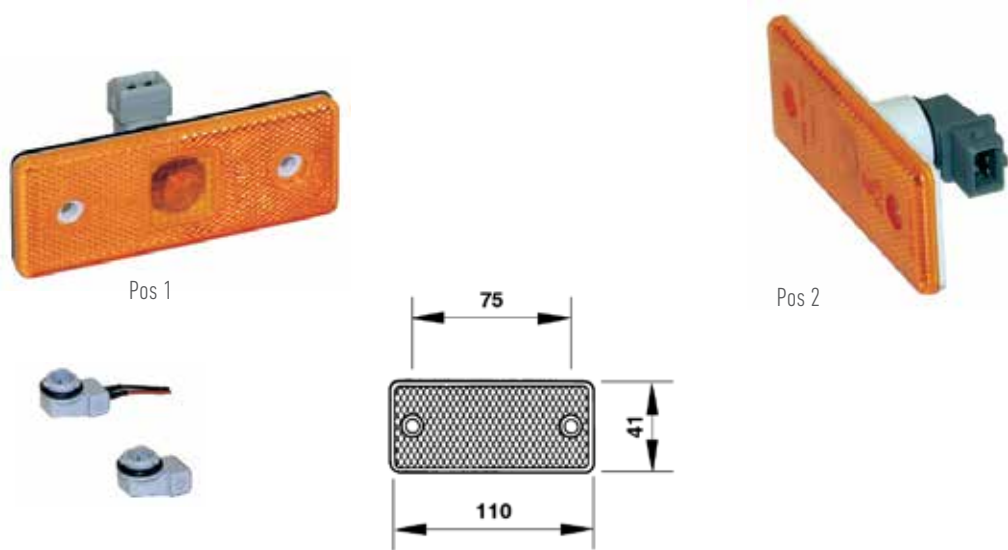
Lens: PMMA
 Housing: Plastic
 Dimension: 110 x 41 x 9 mm
 Bolt hole distance: 75 mm
 Build-in depth: 36 mm
 Splash water protected with sealed cableexit



Surface mounting	Connection	Cable length	Operation voltage	Light source	IP Rating	Suitable for	Sidemarker Amber
Horizontal/ Vertical	Open end	200 mm	24V	4 LED	IP67		098 221 222

Sidemarker light bulb 24V – Mercedes Benz Actros

E SM1



Description

Lens: PMMA
 Housing: Plastic
 Dimension: 110 x 42 mm
 Bolt hole distance: 75 mm
 Build-in depth: 36 mm

With reflex reflector and 24V/3W bulb mounted
 Plastic housing with gasket and vertical for wedge base lamp with build in 2 pole male connector



Bulb holders-Units	Connection	Operation voltage	Light source	IP Rating	Suitable for	Pos	Sidemarker Amber
--------------------	------------	-------------------	--------------	-----------	--------------	-----	------------------

Vertical	2 poled AMP-JPT plug	24V	Bulb	IP54	000 544 37 11	1	098 221 220
Horizontal	2 poled AMP-JPT plug	24V	Bulb	IP54	000 544 41 11	2	098 221 225

Spare parts

Bulb holder W2,1x9,5d plastic NF with Cable	098 291 357
2-poled plug with blade receptacles	099 110 636
2-poled plug with blade receptacles	099 111 116
2-poled plug with blade receptacles	099 110 635

Sidemarker light LED 24V - Scania R/5

(E) SM1



Description

Lens: PMMA
 Housing: PC
 Dimension: 110 x 42 mm
 Plastic housing with 3 LED and reflex reflector



Mounting	Connection	Operation voltage	Light source	IP Rating	Suitable for	Sidemarker Amber
Horizontal / Vertical	Super Seal	24V	3 LED	IP67	0 173 74 13 0 144 38 84 0 144 6359 2 000 390 2 052 119 2 080 828	098 221 230

Spare parts

Adapter cable 300 mm with 2 poled plug	098 291 235
--	--------------------

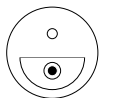
Sidemarker light LED 24V - Scania 4

(E) SM1



Description

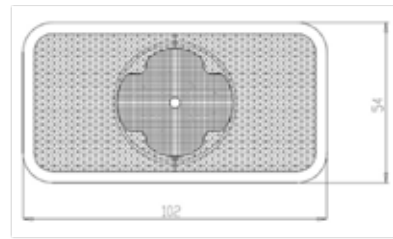
Lens: PMMA
 Housing: PC
 Dimension: 104 54 mm
 Build-in depth: 35 mm
 Plastic housing with metal clip - for horizontal build-in, splash water proof
 4 LED's without reflex reflector



Build-in	Connection	Cable length	Build-in depth	Operation voltage	Light source	IP Rating	Suitable for	Sidemarker Amber
Horizontal	Open end	2050 mm	35 mm	24V	4 LED's	IP54	OE: 1471599	098 221 245

Sidemarker light LED 24V - Volvo

E SM1



Description

Lens: PMMA
 Housing: Plastic
 Dimension: 102 x 54 mm
 Build-in depth: 35 mm
 Bolt hole distance: 75 mm



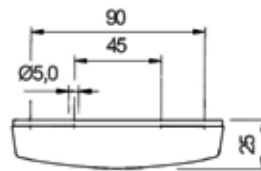
Surface mounting	Connection	Operation voltage	Light source	IP Rating	Suitable for	Sidemarker Amber
Horizontal / Vertical	Integrated AMP Plug	24V	4 LED's	IP67	2039 8660	098 221 263

Spare parts

2-poled plug with blade receptacles	099 110 636
2-poled plug with blade receptacles	099 111 116
2-poled plug with blade receptacles	099 110 635

Sidemarker light bulb 12/24V

E SM1



Description

Lens: PMMA
 Housing: Plastic
 Dimension: 112 x 42 x 25 mm
 Bolt hole distance: 45 mm
 With reflex reflector. Delivered without bulb

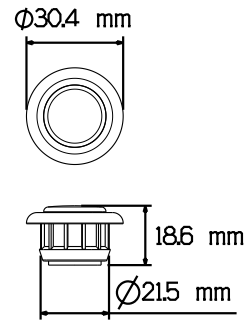


Mounting bracket	Connection	Operation voltage	Light source	IP Rating	Suitable for	Sidemarker Amber
Horizontal / Vertical	Flat-plug connections 6,3 mm and cable lead through rubber grommet	12/24V	Bulb	IP54	20044 664 130 2727 88.25260.6012	098 221 293

Spare parts

Mounting bracket backwards 90°	098 290 299
--------------------------------	--------------------

LED Position light 12/24V



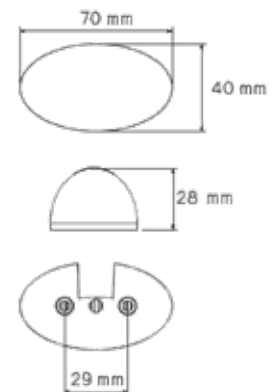
Description

Lens: Polycarbonat
 Housing: Plastic
 Dimension: Ø30,4 x 18,6 mm
 Build-in depth: Ø21,5 x 18,6 mm



Surface mounting	Operation voltage	IP Rating	Connection	Cable length	Light source	Position front White	Position back Red
Horizontal / Vertical	12/24V	IP69	Click-in	500 mm	1 LED		098 204 105
Horizontal / Vertical	12/24V	IP69	Click-in	1.500 mm	1 LED	098 230 115	098 204 115
Horizontal / Vertical	12/24V	IP69	Click-in	3.500 mm	1 LED	098 230 135	098 204 135

Position light front and rear, LED 12/24V



Description

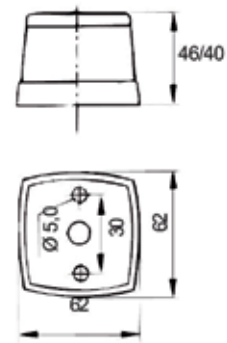
Lens: Polycarbonat
 Housing: Plastic
 Dimension: 70 x 40 x 28 mm
 Bolt hole distance: 29 mm



Surface mounting	Connection	Cable length	Operation voltage	Light source	IP Rating	Position front White
Horizontal	Open end	170 mm	12/24V	2 LED's	IP67	098 230 226

Position light front, bulb

E



Description

Lens: PMMA
 Housing: Black plastic
 Dimension: 62 x 62 x 46 mm
 Bolt hole distance: 30 mm

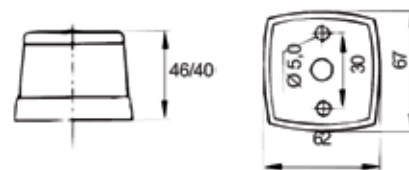
Position lamp clear with reflex reflector



Surface mounting	Operation voltage	Connection	Reflex reflector	IP Rating	Suitable for	Pos	Position back White
Horizontal	12/24V	Cable lead through rubber grommet	✓	IP54	22.03.090	1	098 230 800
Horizontal	12/24V	Cable lead through rubber grommet		IP54	22.02.090	2	098 230 805

Positions light rear, Bulb 12/24V

E



Description

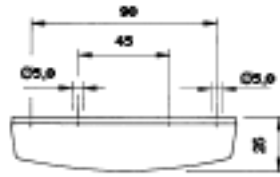
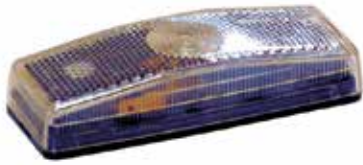
Lens: Polycarbonat
 Housing: Black plastic
 Dimension: 62 x 62 x 46 mm
 Bolt hole distance: 30 mm

Tail light, red, without reflex reflector



Surface mounting	IP Rating	Operation voltage	Connection	Dimension	Light source	Suitable for	Position back Red
Backwards	IP54	12/24V	Flat-plug connection / cable lead through rubber grommet	62 x 67 x 46 mm	Bulb	2 SA 003 057-021	098 200 975

Position light - front and rear, bulb 12/24V



Description

Lens: Polycarbonat
 Housing: Black plastic
 Dimension: 112 x 42 x 25mm
 Bolt hole distance: 45 mm

With reflex reflector



Surface mounting	Operation voltage	Connection	Dimension	Light source	IP rating	Position front White
Horizontal or vertical	12/24V	Cable lead through rubber grommet	112 x 42 x 25 mm	Bulb	IP54	098 230 297

Spare parts

Mounting bracket, angled	098 290 299
--------------------------	--------------------

OUTER END MARKER LIGHTS



LED Outer end marker light (45°) 12/24V

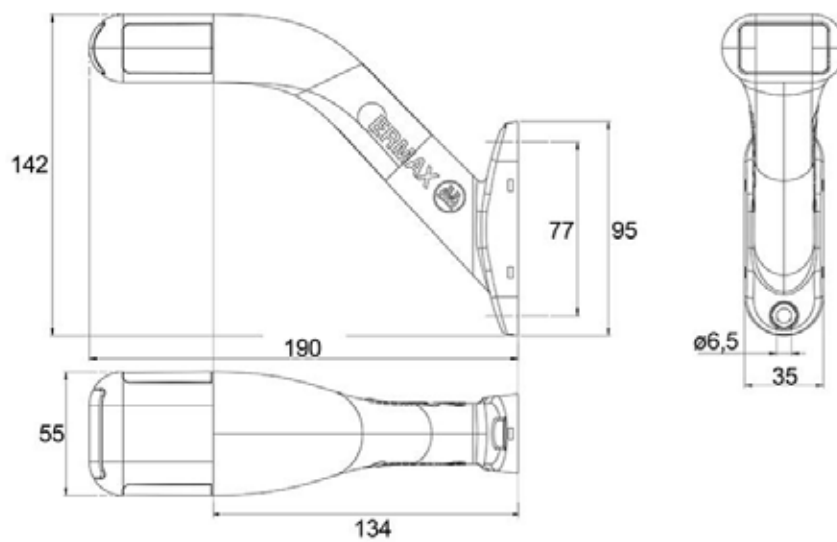


Pos. 1



Pos. 2

Possibility of having the cable at the side of the mounting foot



Description

Lens: Impact resistant polycarbonate
 Housing: Rubber
 Bolt hole distance: 77 mm / Ø 6,5

With clear lens - lighting red, amber and white

LED Outer end marker light (45°) 12/24V

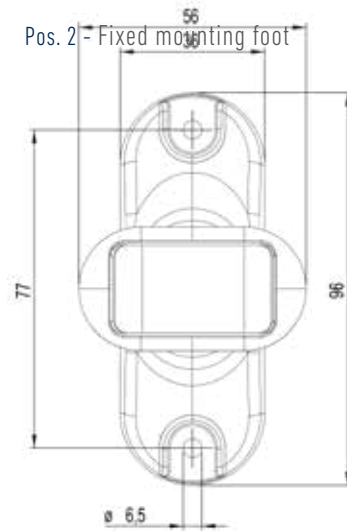
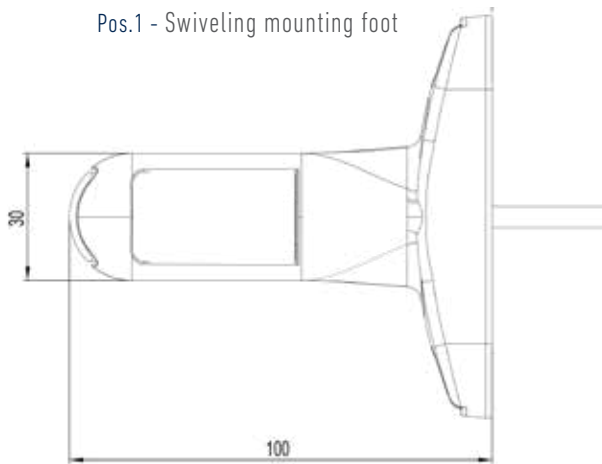
Left ← Right →	Operating voltage	IP Rating	Connection	Cable length	Light colour	Pos.	Article No.
←	12/24V	IP69K	Click-in 1,5 mm ²	1.500 mm	red / white / amber	1	098 241 422
→	12/24V	IP69K	Click-in 1,5 mm ²	1.500 mm	red / white / amber	1	098 241 423
←	12/24V	IP69K	Super Seal socket	1.500 mm	red / white / amber	1	098 241 425
→	12/24V	IP69K	Super Seal socket	1.500 mm	red / white / amber	1	098 241 426
←	12/24V	IP69K	Open end	1.500 mm	red / white / amber	1	098 241 427
→	12/24V	IP69K	Open end	1.500 mm	red / white / amber	1	098 241 428
←	12/24V	IP69K	Open end	5.000 mm	red / white / amber	1	098 241 429
→	12/24V	IP69K	Open end	5.000 mm	red / white / amber	1	098 241 430
→	12/24V	IP69K	Super Seal plug	300 mm	red / white / amber	1	098 241 448
←	12/24V	IP69K	Super Seal plug	300 mm	red / white / amber	1	098 241 449



Suitable for mounting on flat surfaces, with the possibility of having the cable at the side of the mounting foot. Also there is the possibility to connect the outer end marker to the tail lights or the rear cable with Super Seal connection

→	12/24V	IP69K	Super Seal plug	300 mm	red / white / amber	2	098 241 438
←	12/24V	IP69K	Super Seal plug	300 mm	red / white / amber	2	098 241 439

LED Outer end marker light 12/24V



Description

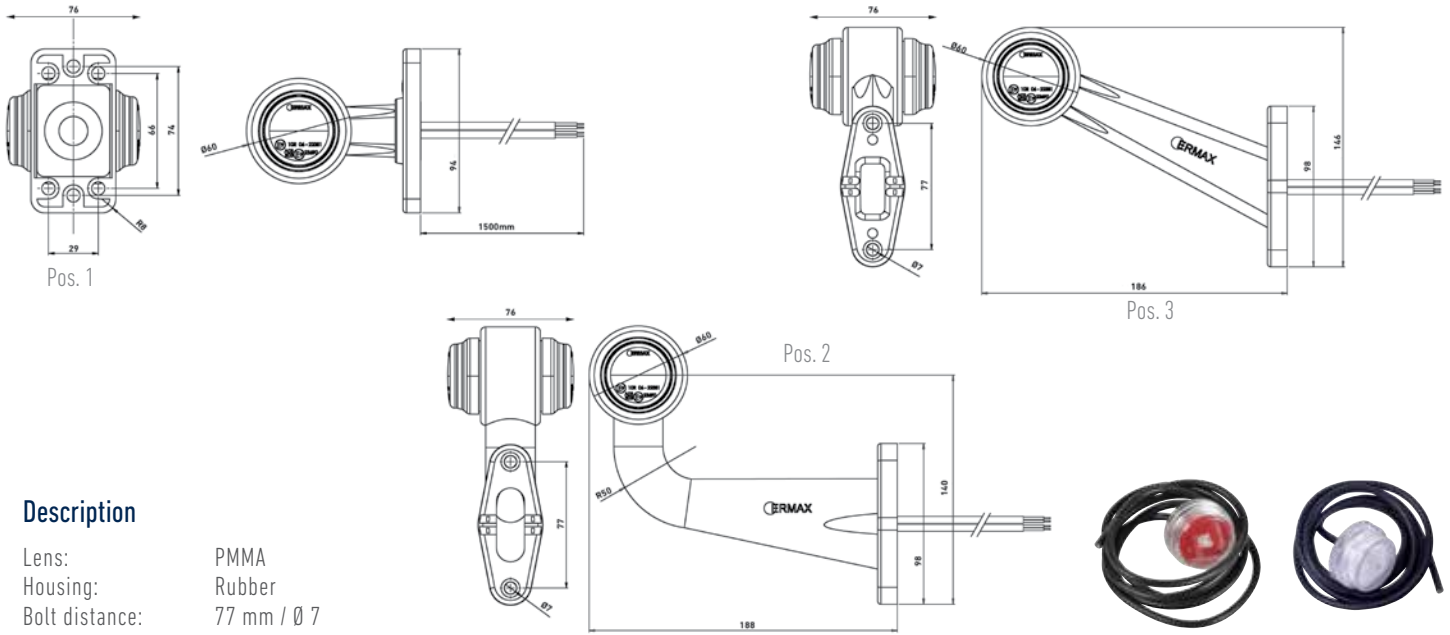
Lens: Impact resistant polycarbonat
 Housing: Rubber
 Bolt distance: 77 mm / Ø 6,5

With clear lens - lighting red, amber and white

Left ← Right →	Operating voltage	IP Rating	Connection	Cable length	Light colour	Article No.
-------------------------	-------------------	-----------	------------	--------------	--------------	-------------

← →	12/24V	IP69K	Super Seal socket	500 mm	red / white / amber	098 241 205
← →	12/24V	IP69K	Super Seal socket	1.500 mm	red / white / amber	098 241 215
← →	12/24V	IP69K	Click-in 1,5 mm ²	1.500 mm	red / white / amber	098 241 211
← →	12/24V	IP69K	Open end	1.500 mm	red / white / amber	098 241 216
← →	12/24V	IP69K	Open end	5.000 mm	red / white / amber	098 241 217
← →	12/24V	IP69K	Super Seal plug	300 mm	red / white / amber	098 241 218

LED Outer end marker light 12/24V - Classic 1



Description

Lens: PMMA
 Housing: Rubber
 Bolt distance: 77 mm / Ø 7

1 impact resistant LED units per light



Left ← Right →	Operating voltage	IP Rating	Connection	Cable length	Light source	Light color	Pos.	Article no.
-------------------------	-------------------	-----------	------------	--------------	--------------	-------------	------	-------------

← →	12/24V	IP67	Super Seal socket	500 mm	1 LED	red / white	1	098 241 005
← →	12/24V	IP67	Open end	1.500 mm	1 LED	red / white	1	098 241 000
← →	12/24V	IP67	Open end	1.500 mm	1 LED	red / white	2	098 241 050
← →	12/24V	IP67	Super Seal socket	500 mm	1 LED	red / white	2	098 241 055
← →	12/24V	IP67	Super Seal plug	300 mm	1 LED	red / white	2	098 241 056
← →	12/24V	IP67	Open end	1.500 mm	1 LED	red / white	3	098 241 090

Spare parts

LED - red unit with 1.250 mm connection cable	4	098 291 001
LED - clear unit with 1.250 mm connection cable	5	098 291 000

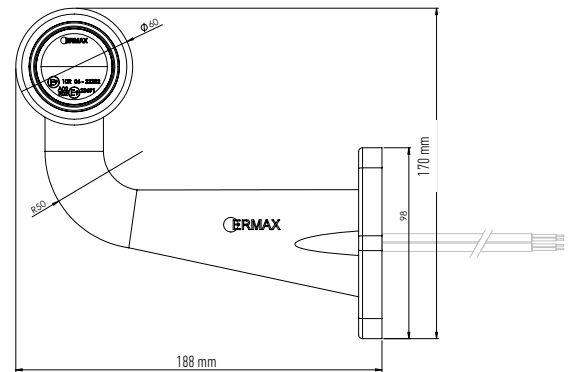
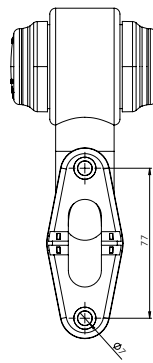
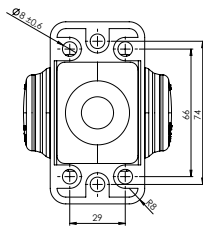
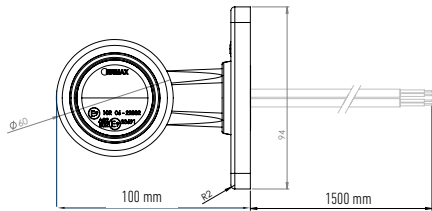
Outer end marker light LED 12/24V - Classic 2



Pos. 1



Pos. 2



Description

Lens: PMMA
 Housing: Rubber
 Bolt distance Pos 1: 74 mm / 2 x Ø7 + 66 mm / 4 x Ø7
 Bolt distance Pos 2: 77 mm / 2 x Ø7

2 impact resistance LED units per light



Left ← Right →	Light source	IP Rating	Operating voltage	Connection	Cable length	Light color	Pos.	Article no.
-------------------------	--------------	-----------	-------------------	------------	--------------	-------------	------	-------------

← →	LED	IP67	12/24V	Open end	1500 mm	red / white	1	098 241 600
← →	LED	IP67	12/24V	Open end	1500 mm	red / white	2	098 241 650

Spare parts

Rubber grommet for 098 241 014	3	098 291 119
LED unit, red	4	098 291 031
LED unit, white	5	098 291 030

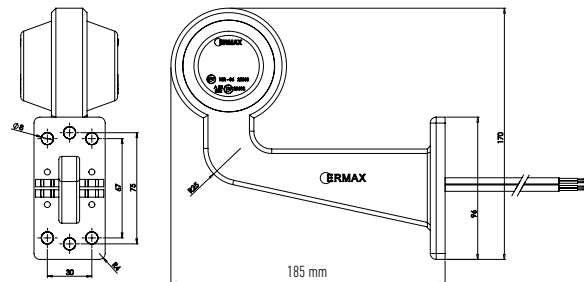
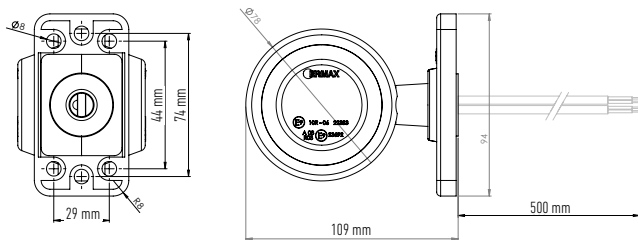
Outer end marker light / Direction indicator light LED 12/24V - Classic XL



Pos 1



Pos 2



Description

Lens: PMMA
 Housing: Rubber
 Bolt distance Pos 1: 4 mm / 2 x Ø8 + 64 mm / 4 x Ø8
 Bolt distance Pos 2: 75 mm / 2 x Ø8 + 67 mm / 4 x Ø

2 variants - short straight variant (possible to turn 360°) - angled variant 45°
 2 impact resistant LED units in each outer end marker light - 6 LEDs per LED unit



Left ← Right →	Light source	IP Rating	Operating voltage	Connection	Cable length	Light color	Pos	Article no.
-------------------------	--------------	-----------	-------------------	------------	--------------	-------------	-----	-------------

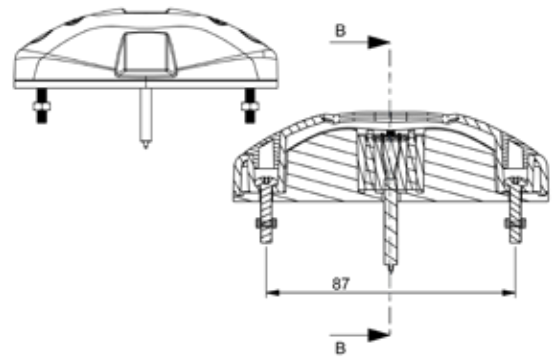
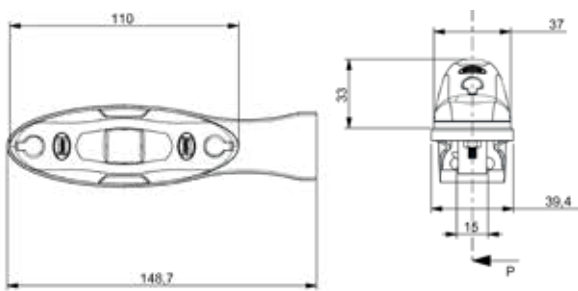
← →	LED	IP67	12/24V	Open end	500 mm	red / white	1	098 241 800
← →	LED	IP67	12/24V	Open end	2500 mm	red / white	1	098 241 802
← →	LED	IP67	12/24V	Super Seal plug	500 mm	red / white	1	098 241 805
← →	LED	IP67	12/24V	Open end	500 mm	red / white	2	098 241 850
← →	LED	IP67	12/24V	Open end	2500 mm	red / white	2	098 241 852
← →	LED	IP67	12/24V	Super Seal plug	500 mm	red / white	2	098 241 855

Spare parts

LED unit, red (outer end marker light)	5	098 291 041
LED unit, white (outer end marker light)	6	098 291 040
Rubber grommet for 098 221 076	7	098 291 119

Outer end marker light 10-30V

E



Description

Lens: PMMA
 Housing: Plastic
 Bolt hole distance: 87 mm

With or without flexible rubber bracket

Light source	Operation voltage	IP Rating	Surface mounting	Connection	Cable length	Lens colour	Left ← Right →	Pos	Article No.
LED	10-30V	IP67	Flat mounting	Open end	1.000 mm	Red / white	← →	1	098 241 310
LED	10-30V	IP67	Straight	Open end	1.000 mm	Red / white	← →	2	098 241 320
LED	10-30V	IP67	Backwards 90°	Open end	1.000 mm	Red / white	← →	3	098 241 330
LED	10-30V	IP67	Flat mounting	Open end	1.000 mm	Red / white / amber	← →	1	098 241 312
LED	10-30V	IP67	Straight	Open end	1.000 mm	Red / white / amber	← →	2	098 241 322
LED	10-30V	IP67	Backwards 90°	Open end	1.000 mm	Red / white / amber	← →	3	098 241 332

Outer end marker light 10-30V



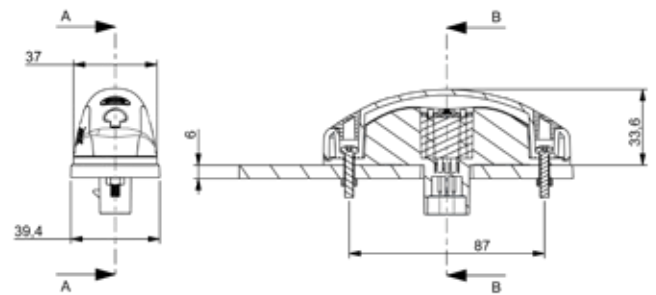
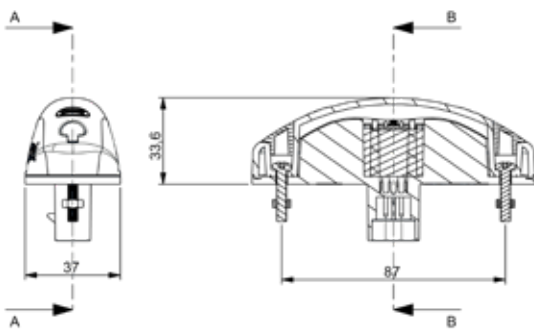
Pos 1



Pos 2



Pos 3



Description

Lens: PMMA
 Housing: Plastic
 Bolt hole distance: 87 mm

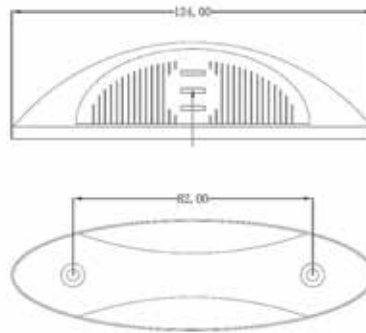
With or without flexible rubber bracket

Light source	Operation voltage	IP Rating	Surface mounting	Connection	Lens colour	Left ← Right →	Pos	Article No.
LED	10-30V	IP67	Flat mounting	Super Seal	Red / white	← →	1	098 241 314
LED	10-30V	IP67	Flat mounting	Super Seal	Red / white / amber	← →	1	098 241 316
LED	10-30V	IP67	Straight	Super Seal	Red / white / amber	← →	2	098 241 326
LED	10-30V	IP67	Backwards 90°	Super Seal	Red / white / amber	← →	3	098 241 336

Accessories

Super Seal plug 2 poled	099 110 019
-------------------------	--------------------

Outer end marker light LED



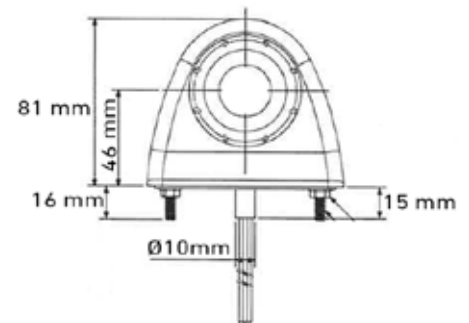
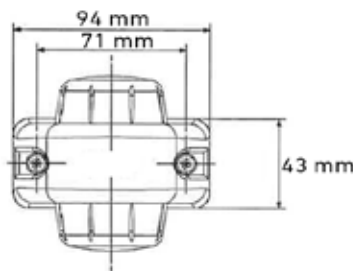
Description

Lens: PMMA
 Housing: Plastic
 Bolt hole distance: 82 mm

Light source	Operation voltage	IP Rating	Surface mounting	Connection	Cable length	Lens colour	Left ← Right →	Article No.
--------------	-------------------	-----------	------------------	------------	--------------	-------------	-------------------------	-------------

LED	10-30V	IP67	Flat mounting	Open end	500 mm	Red /white	← →	098 241 340
-----	--------	------	---------------	----------	--------	------------	-----	-------------

Outer end marker light LED



Description

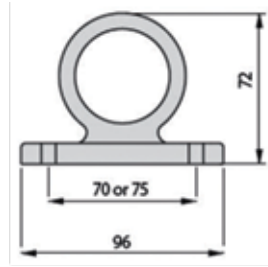
Lens: polycarbonate,
 Housing: Gummi
 Dimension: 94 x 81 mm

Light source LED	IP Rating	Operation voltage	Connection	Cable length	Light colour	Dimension	Article No.
------------------	-----------	-------------------	------------	--------------	--------------	-----------	-------------

2 x 4 dior	IP67	24V	Open end	200 mm	Red / white	L 94 x H 81 mm	098 241 492
------------	------	-----	----------	--------	-------------	----------------	-------------

Outer end marker light LED

E



Description

Lens:
 Housing: Black gummi
 Dimension: 96 x 72 mm

2 impact resistant and waterproof LED units

Light source LED	IP Rating	Operation voltage	Connection	Cable length	Light colour	Article No.
2 x 3 dior	IP69K	12-24 V	Open end	300 mm	Red / white	098 241 500

Outer end marker light LED

E



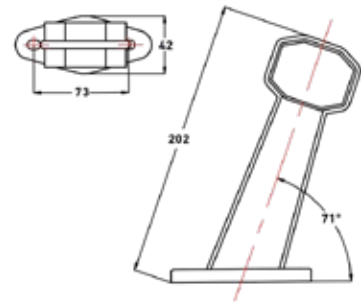
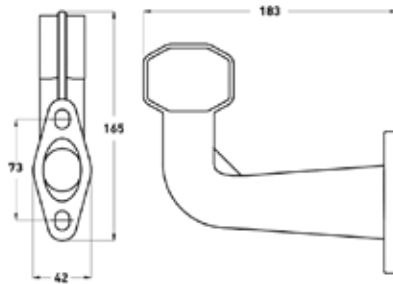
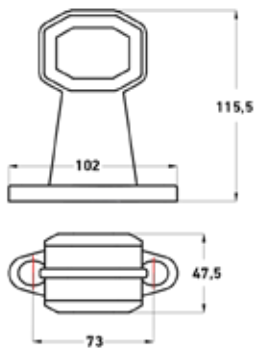
Pos 1



Pos 2



Pos 3



Description

Lens: PMMA
 Housing: Black rubber
 Variable bolt hole distance: 68 -75 mm

Light source	Operation voltage	Connection	Cable length	Light colour	Left ← Right →	Pos	Article No.
LED	24V	Click-in	500 mm	Red / white	← →	1	098 241 267
LED	24V	Click-in	500 mm	Red / white	←	2	098 241 261
LED	24V	Click-in	500 mm	Red / white	→	2	098 241 262
LED	24V	Click-in	500 mm	Red / white	←	3	098 241 264
LED	24V	Click-in	500 mm	Red / white	→	3	098 241 265

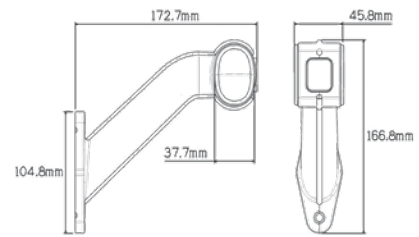
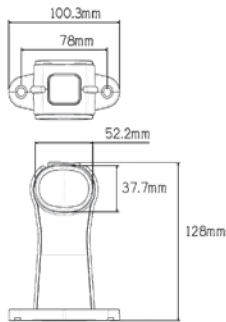
Outer end marker light LED



Pos 1



Pos 2



Description

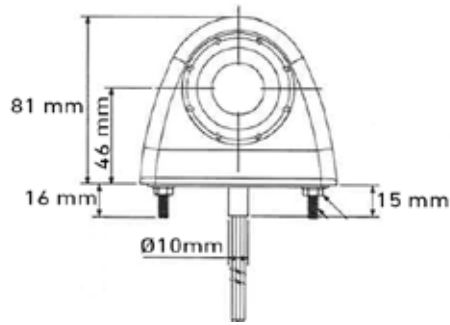
Lens: Polycarbonate
 Housing: Black rubber
 Bolt hole distance: 78 mm

Impact resistant LED units with 6 LED, mounted in a black flexible rubber housing
 Sidemarker light integrated with 1 led

Light source	IP Rating	Operation voltage	Connection	Cable length	Light colour	Left ← Right →	Pos	Article No.
--------------	-----------	-------------------	------------	--------------	--------------	-------------------------	-----	-------------

9 LED's	IP67	12/24V	Open end	500 mm	Red/white/orange	← →	1	098 241 040
9 LED's	IP67	12/24V	Open end	5000 mm	Red/white/orange	← →	1	098 241 041
9 LED's	IP67	12/24V	Open end	500 mm	Red/white/orange	←	2	098 241 044
9 LED's	IP67	12/24V	Open end	500 mm	Red/white/orange	←	2	098 241 046

Outer end marker light, bulb version

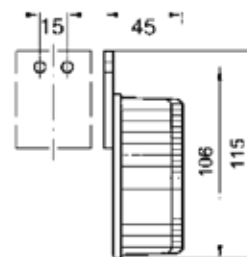


Description

Lens: PMMA
 Housing: Black rubber housing with 2 Mounting screws M5
 Dimension: 94 x 81 mm

BA15s Bulb holder

Light source	IP Rating	Operation voltage	Connection	Cable length	Lens	Article No.
Bulb	IP67	12/24V	Open end	200	Red / white	098 241 190



E

Pos 1

Light source	IP Rating	Operation voltage	Connection	Cable length	Light colour	Pos	Article No.
Bulb	IP67	12/24V	cable lead through rubber grommet	1.000 mm	Red / white	1	098 241 352

REAR UNDERRUN PROTECTION BAR



Rear underrun protection bar with TM5 tail lights

Unbeatable durability

- Space-saving – ultra slim built-in depth of the TM5 tail lights
- Unsurpassed durability - impact resistant lens made of polycarbonate
- Increased traffic security – Eternal Light technology



Measure (WxDxH): 2780 (2400 mm without OEM) x 120 x 250 mm

Variant - ECE R58-02

Article no.	Type	Junction box	SIMAC	LED failure control	
				Direct indicator	Stop
098 258 100	LED	-	-	-	-
098 258 110	LED	-	-	✓	-
098 258 130	LED	-	✓	✓	-
098 258 140	LED	✓	-	-	-
098 258 150	LED	✓	-	✓	-
098 258 160	LED	✓	✓	-	-
098 258 170	LED	✓	✓	✓	-

Measure (WxDxH): 2780 (2400 mm without OEM) x 160 x 252 mm

Variant - ECE R58-03

Article no.	Type	Junction box	SIMAC	LED failure control	
				Direct indicator	Stop
098 259 100	LED	-	-	-	-
098 259 110	LED	-	-	✓	-
098 259 130	LED	-	✓	✓	-
098 259 140	LED	✓	-	-	-
098 259 150	LED	✓	-	✓	-
098 259 155	LED	✓	-	✓	✓
098 259 170	LED	✓	✓	✓	-
098 259 175	LED	✓	✓	✓	✓

Rear underrun protection bar with TM7 tail lights

Classical solution

- Compact round lights with a chrome look
- Easy mounting
- Classical LED look



Measure (WxDxH): 2780 (2400 mm without OEM) x 120 x 250 mm

Article no.	Type	Junction box	SIMAC	LED failure control	
				Direct indicator	Stop
098 258 200	LED	-	-	-	-
098 258 210	LED	-	-	✓	-
098 258 230	LED	-	✓	✓	-
098 258 240	LED	✓	-	-	-
098 258 250	LED	✓	-	✓	-
098 258 260	LED	✓	✓	-	-
098 258 270	LED	✓	✓	✓	-

Measure (WxDxH): 2780 (2400 mm without OEM) x 160 x 252 mm

Article no.	Type	Junction box	SIMAC	LED failure control	
				Direct indicator	Stop
098 259 200	LED	-	-	-	-
098 259 210	LED	-	-	✓	-
098 259 230	LED	-	✓	✓	-
098 259 240	LED	✓	-	-	-
098 259 250	LED	✓	-	✓	-
098 259 255	LED	✓	-	✓	✓
098 259 270	LED	✓	✓	✓	-
098 259 275	LED	✓	✓	✓	✓

Rear underrun protection bar with TM16 tail lights

Solution with D approval

- Modern round lights with a chrome look
- Easy mounting
- Unique Design



Measure (WxDxH): 2780 (2400 mm without OEM) x 160 x 252 mm

Variant - ECE R58-03

Article no.	Type	Junction box	SIMAC	LED Failure control	
				Direct indicator	Stop
098 259 340	LED	✓	-	-	-
098 259 350	LED	✓	-	✓	-
098 259 370	LED	✓	✓	✓	-

Rear underrun protection bar with TM10 tail lights

Unbeatable durability

- Unsurpassed durability - impact resistant lens made of polycarbonate
- Increased traffic security – Eternal Light technology
- As full LED or hybrid



Measure (WxDxH): 2780 (2400 mm without OEM) x 100 x 250 mm

Variant - ECE R58-02

Article no.	Type	SIMAC	LED failure control	
			Direct indicator	Stop
098 258 300	Hybrid ▲	–	NA	NA
098 258 320	Hybrid ▲	✓	NA	NA
098 258 400	LED	–	–	–

Measure (WxDxH): 2780 (2400 mm without OEM) x 160 x 252 mm

Variant - ECE R58-03

Article no.	Type	SIMAC	LED failure control	
			Direct indicator	Stop
098 259 320	Hybrid ▲	✓	NA	NA
098 259 450	LED	–	–	–

▲ Position light, side marker light and license plate light as LED

Rear underrun protection bar with TM11 tail lights

Unsurpassed full LED functionality

- Unsurpassed durability - impact resistant lens made of polycarbonate
- Increased traffic security – Eternal Light technology
- High reliability - LED failure control optional and SIMAC integrated



Measure (WxDxH): 2780 (2400 mm without OEM) x 120 x 250 mm

Variant - ECE R58-02

Article no.	Type	SIMAC	LED failure control	
			Direct indicator	Stop
098 258 520	LED	✓	–	–
098 258 530	LED	✓	✓	–
098 258 580	LED	✓	✓	✓

Measure (WxDxH): 2780 (2400 mm without OEM) x 160 x 252 mm

Variant - ECE R58-03

Article no.	Type	SIMAC	LED failure control	
			Direct indicator	Stop
098 259 520	LED	✓	–	–
098 259 530	LED	✓	✓	–
098 259 580	LED	✓	✓	✓

SIMAC control "Snap-in"

TM11 LED

LED control unit "Snap-in"

A classic - new developed

- Classical elegant design - new developed
- LED failure control and SIMAC integrated



Integrated LED failure control for monitoring the direction indicator function and stop light function



098 259 075



098 259 095

Measure (WxDxH): 2780 (2400 mm without OEM) x 160 x 252 mm

Variant - ECE R58-03

* With D-approval

Article no.	Type	Junction box	SIMAC	LED failure control	
				Direct indicator	Stop
098 259 075 *	LED	✓	✓	✓	✓
098 259 095 **	LED	✓	✓	✓	✓

** The triangular reflectors must be installed separately

Underrun protection bar with TM2 tail lights

- Tail light with bulb - the remaining lights are LED
- Easy mounting



Measure (WxDxH): 2780 (2400 mm without OEM) x 120 x 250 mm

Variant - ECE R58-02

Article no.	Type	SIMAC	LED failure control	
			Direct indicator	Stop
098 258 635	Bulb	NA	NA	NA

Measure (WxDxH): 2780 (2400 mm without OEM) x 160 x 252 mm

Variant - ECE R58-03

Article no.	Type	SIMAC	LED failure control	
			Direct indicator	Stop
098 259 635	Bulb	NA	NA	NA

Rear underrun protection bar ECE R58-02

Anodized - without lights

Anodized aluminium - 3 variants packed individually in a cardboard box or pallet packaging.

End caps and T-bolts must be ordered separately.



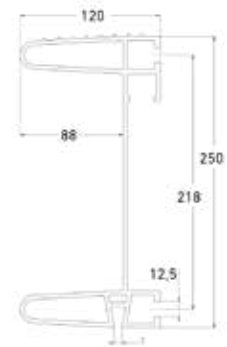
Pos 1



Pos 2



Pos 3



Pos 4

Pos 5

Variant - ECE R58-02

Article no.	Pos	Variant type	Drilling	Packaging
098 259 000	1	Without drilling	-	Individually (1 pcs)
098 258 000	2	For built-in lights (TM5, TM7)	6 x Ø135 mm	
098 258 001	3	For 7-function lights (TM10, TM11)	2 x Ø44 mm, 8 x Ø30 mm	

OBS.
End caps and T-bolts
must be ordered
separately

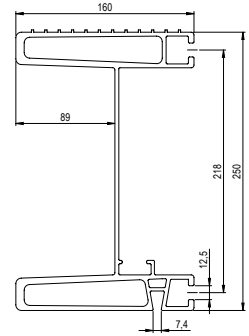
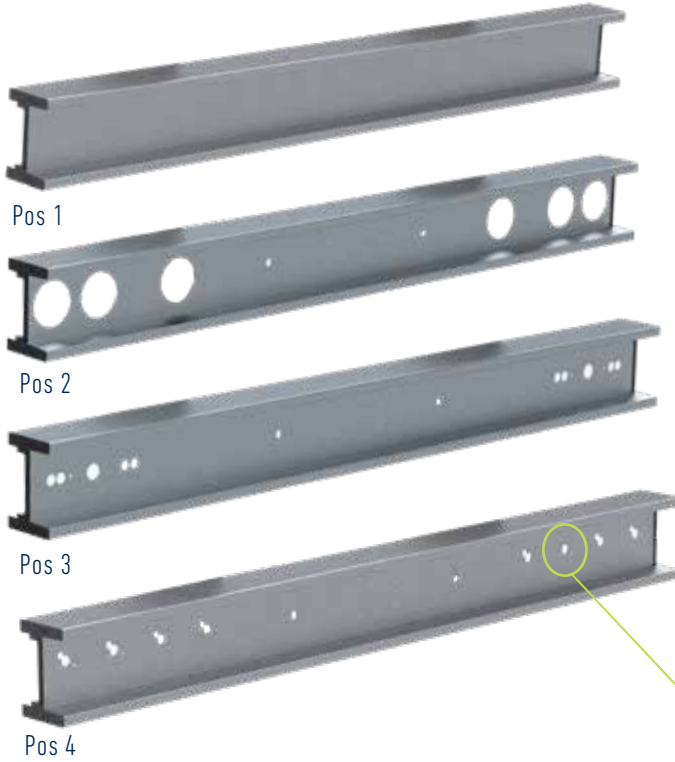
Article no.	Pos	Description	Packaging
098 299 610	4	End cap, plastic (2 pcs. per underrun protection bar)	Bag with 2 pcs.
099 110 004	5	T-bolts (4 pcs. per underrun protection bar)	Bag with 4 pcs.

Rear underrun protection bar ECE R58-03

Anodized - without lights

Anodized aluminium - 4 variants packed individually in a cardboard box or pallet packaging.

End caps and T-bolts must be ordered separately.



* If 2x 4 TM4 tail lights are to be mounted, an additional hole (right) for the cable from the rear light must be drilled.

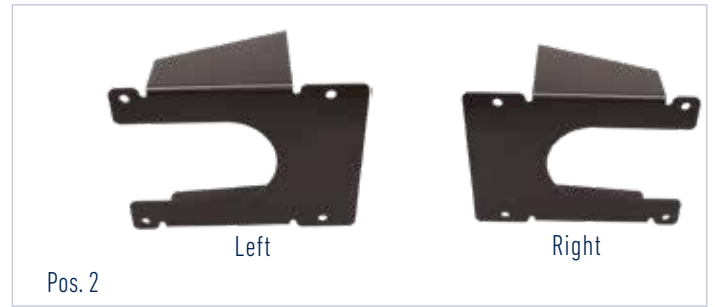
Variant - ECE R58-03

Article no.	Pos	Variant type	Drilling	Packaging
098 259 005	1	Without drilling	-	Individually (1 pcs)
098 259 006	2	For built-in lights (TM5, TM7)	6 x Ø135 mm	
098 259 007	3	For 7-function lights (TM10, TM11)	2 x Ø44 mm, 8 x Ø30 mm	
098 259 008 *	4	For surface mounted lights (TM4)	16 x Ø7 mm, 8 x Ø28/20 mm	
099 259 005	1	Without drilling	-	Pallet 15 pcs
099 259 006	2	For built-in lights (TM5, TM7)	6 x Ø135 mm	
099 259 007	3	For 7-function lights (TM10, TM11)	2 x Ø44 mm, 8 x Ø30 mm	
099 259 008 *	4	For surface mounted lights (TM4)	16 x Ø7 mm, 8 x Ø28/20 mm	

OBS.
End caps and T-bolts must be ordered separately

Article no.	Pos	Description	Packaging
099 299 616	4	End cap, plastic (2 pcs. per underrun protection bar)	Bag with 2 pcs.
099 299 615	4	End cap, plastic (2 pcs. per underrun protection bar)	40 pcs.
099 110 004	5	T-bolts (8 pcs. per underrun protection bar)	Bag with 4 pcs .

Spare parts and accessories ECE R58-01



The consoles mentioned in the certificate (pos. 1) are mounted at the chassis frame. The associated reinforcement brackets (pos. 2) must be used for specific widths of the chassis frame according to the guidance in the certificate.

Consoles as well as reinforcement brackets are offered from ERMAX as accessories, but may also be produced by the vehicle manufacturer, provided that the technical instructions in the certificate are followed exactly.



Spareparts and accesories

	Pos.	Article No.
Console - Square profile for welding on the chassis frame	1	098 299 620
Reinforcement bracket - Left side 098 299 602 / right side 098 292 603 A frame width between 840-1250 requires 2 pcs. By use of these reinforcement brackets, additional 4 T-bolts will be needed. (099 110 004)	2	098 299 602 098 299 603
End cap, plastic - Bag with 2 pcs. (2 pieces per underrun protection bar are needed)	3	098 299 610
T-bolt M12x55 mm with square head - Bag with 4 pcs. (4 pieces per underrun protection bar are needed)	4	099 110 004
Stainless steel angle bracket for fixation of marker lamps for light bar	5	098 299 605
Square shaped clamp : 25x25x5mm / Thicknes : 1mm. Bags of 10 pcs.	6	098 299 612
Type approval label	7	099 110 001
Cover for junction box for underrun protection bar. Plastic	8	098 299 617
Base plate for rear underrun protection bar with TM5/TM7. Plastic	9	098 299 608
Cover for base plate. For rear bumper with TM5/7. To be used with base plate 098299608	10	098 299 609

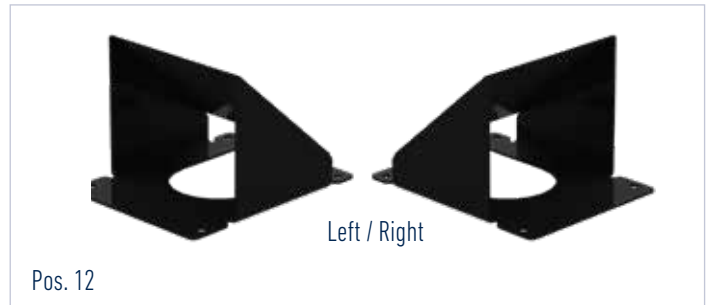
Spare parts and accessories ECE R58-03



Pos. 11

The consoles mentioned in the certificate (pos. 1) are mounted at the chassis frame. The associated reinforcement brackets (pos. 2) must always be present.

Depending upon the width of the chassis frame (distances between the consoles) the reinforcement brackets must be placed inside or outside the consoles in order to support the underrun protection bar.



Pos. 12

Consoles as well as reinforcement brackets are offered from ERMAX as accessories, but may also be produced by the vehicle manufacturer, provided that the technical instructions in the certificate are followed exactly.

According to the certificate, the consoles may also be integrated in the chassis.



Pos. 14



Pos. 15

Spareparts and accesories

	Pos.	Article No.
Console 1 - Profile for welding on the chassis frame	11	099 299 623
Console 2 - Profile for welding on the chassis frame	11	099 299 622
Reinforcement bracket - left / right (1 pcs) Frame distance 1250-1450 mm : The reinforcement brackets must be installed on the inside of the consoles. Frame distance 980-1249 mm : The reinforcement brackets must be mounted on the outside of the consoles. 4 x 099 110 004 T-bolts M12 x 55 mm are needed for each braket / totally 8 pcs.	12	099 299 625
End cap, plastic - Bag with 2 pcs (2 pieces per underrun protection bar are needed)	14	099 299 616
T-bolt M12x55 mm with square head - Bag with 4 pcs. (8 pieces per underrun protection bar are needed)	4	099 110 004
Stainless steel angle bracket for fixation of marker lamps for light bar	5	098 299 605
Type approval label	15	099 110 001
Cover for junction box for underrun protection bar. Plastic	8	098 299 617
Base plate for rear underrun protection bar with TM5/TM7. Plastic	9	098 299 608
Cover for base plate. For rear bumper with TM5/7. To be used with base plate 098299608	10	098 299 609

JUNCTION BOX



Junction Boxes



UNIVERSAL JUNCTION BOX



PASS-THROUGH JUNCTION BOX



REAR CONNECTION BOX

Junction box Standard program - overview



Box Type	Cover	Inlet	Outlet	Connection - Cable gland	Integrated SIMAC control	Article No.
Universal-Box	Low	Cable gland with gromme Ø13-11 mm	--	1 x Cable gland with grommet Ø7-11 mm 2 x Cable gland with grommet Ø4-6 mm 4 x Cable gland with grommet 2 x Ø5,5 mm		099 864 100
	High	Cable gland with gromme Ø13-11 mm	--	4 x Cable gland with grommet Ø7-11 mm 8 x Cable gland with grommet Ø4-6 mm 1 x Cable gland with grommet 2 x Ø5,5 mm		099 864 500
Pass-through Box	Low	15 poled Ermax bayonet socket with 500 mm cable	15 poled Ermax bayonet plug with 500 mm cable	1 x 2 pin Super Seal socket for positions light, right 1 x 2 pin Super Seal socket for positions light, left 2 x Cable gland with grommet Ø4-6 mm 2 x Cable gland with grommet 2 x Ø5,5 mm		099 864 151
	Low	15 poled Ermax bayonet socket with 500 mm cable	15 poled Ermax bayonet plug with 500 mm cable	2 x Cable gland with grommet Ø4-6 mm 4 x Cable gland with grommet 2 x Ø5,5 mm		099 864 150
	High	15 poled Ermax bayonet socket with 500 mm cable	15 poled Ermax bayonet plug with 500 mm cable	6 x Cable gland with grommet Ø4-6 mm 6 x Cable gland with grommet 2 x Ø5,5 mm		099 864 550
Rear connection box	Low	15 poled Ermax bayonet socket with 500 mm cable	--	1 x 7 pin AMP socket for right tail light 1 x 7 pin AMP socket for left tail light 1 x 2 pin Super Seal socket for right position light 1 x 2 pin Super Seal socket for left position light 1 x 2 pin Super Seal socket for reverse light 1 x 2 pin Super Seal socket for rear fog light 1 x Cable gland with grommet 2 x Ø5,5 mm		099 864 110
	High	15 poled Ermax bayonet socket with 500 mm cable	--	1 x 7 pin AMP socket for right tail light 1 x 7 pin AMP socket for left tail light 1 x 2 pin Super Seal socket for right position light 1 x 2 pin Super Seal socket for left position light 1 x 2 pin Super Seal socket for reverse light 1 x 2 pin Super Seal socket for rear fog light 1 x 2 pin Super Seal socket for stop light 1 x 2 pin Super Seal socket for AUX 3 1 x Cable gland with grommet 2 x Ø5,5 mm 2 x Cable gland with grommet Ø4-6 mm 2 x Cable gland with grommet Ø7-10 mm		099 864 510
	Low	15 poled Ermax bayonet socket with 500 mm cable	2 x 1 7 pin AMP plug for tail light, right + left	2 x Cable gland with grommet 2 x Ø5,5 mm 2 x Cable gland with grommet 2 x Ø4-6 mm 1 x Cable gland with grommet 2 x Ø7-10 mm		099 864 113
	High	15 poled Ermax bayonet socket with 500 mm cable	--	1 x 2 pin Super Seal socket for right position light 1 x 2 pin Super Seal socket for left position light 3 x Cable gland with grommet Ø4-6 mm 8 x Cable gland with grommet 2 x Ø5,5 mm		099 864 501
	High	15 poled Ermax bayonet socket with 500 mm cable	2 x 3 7-poliger AMP plug for tail light, right + left	1 x 2 pin Super Seal socket for position light, right 1 x 2 pin Super Seal socket for position light, left 1 x 2 pin Super Seal socket for stop light 1 x 2 pin Super Seal socket for reverse light 1 x 2 pin Super Seal socket for rear fog light 1 x 2 pin Super Seal stikdåse med AUX 3 2 x Cable gland with grommet Ø7-11 mm 2 x Cable gland with grommet Ø4-6 mm 1 x Cable gland with grommet 2 x Ø5,5 mm		099 864 531
	High	15 poled Ermax bayonet socket with 500 mm cable	--	2 x 2 pin Super Seal socket with right/left SIMAC 7 x Cable gland with grommet 2 x Ø5,5 mm 2 x Cable gland with grommet Ø4-6 mm 2 x Cable gland with grommet Ø7-10 mm	SIMAC	099 869 501
	High	15 poled Ermax bayonet socket with 1.500 mm cable	--	2 x 2 pin Super Seal socket for left and right position light 2 x 2 pin Super Seal socket for left and right SIMAC 1 x 2 pin Super Seal socket for reverse light 1 x 2 pin Super Seal socket for fog light 1 x 2 pin Super Seal socket for stop light 2 x Cable gland with grommet Ø4-6 mm 4 x Cable gland with grommet 2 x Ø5,5 mm	SIMAC	099 869 506

Universal Junction box

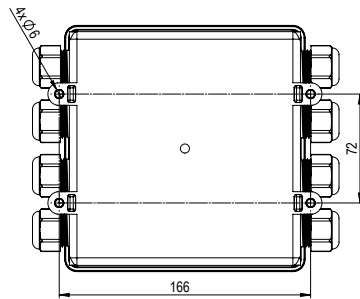
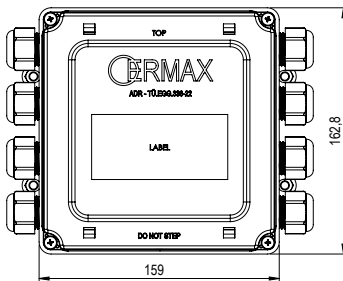
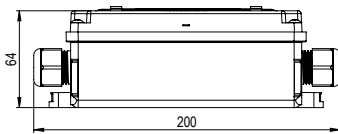
Application/ Description

Article No.

Junction box
Housing of black polycarbonate
IP Rating: IP69K

Low version - Connections:

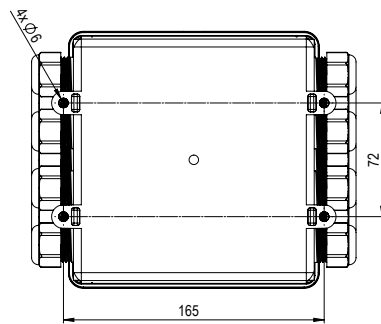
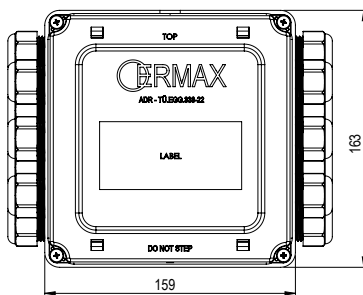
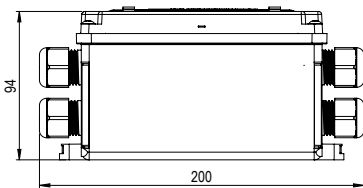
- Connection: 1 x Cable gland with grommet Ø11-13 mm
- 1 x Cable gland with grommet Ø7-11 mm
- 2 x Cable gland with grommet Ø4-6 mm
- 4 x Cable gland with grommet 2 x Ø5,5 mm



099 864 100

High version - Connections:

- Connection: 1 x Cable gland with grommet Ø11-13 mm
- 4 x Cable gland with grommet Ø7-11 mm
- 8 x Cable gland with grommet Ø4-6 mm
- 1 x Cable gland with grommet 2 x Ø5,5 mm



099 864 500

Pass-through Junction box

Application/ Description

Article No.

Junction box with cable
Housing of black polycarbonate
IP Rating: IP69K

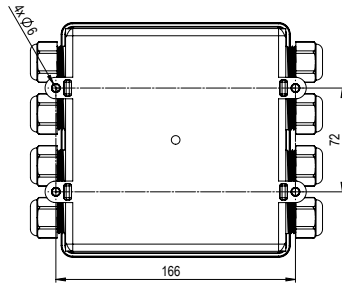
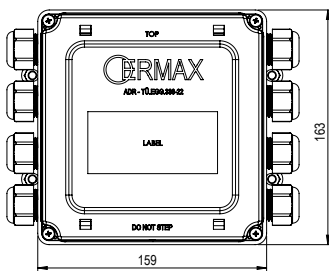
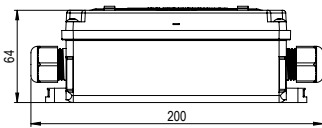
Low version - Connections:

Inlet: 15 pin Ermax socket, 500 mm cable

Outlet: 15 pin Ermax plug, 500 mm cable

Connection: 1 x 2 pin Super Seal socket for positions light, right
 1 x 2 pin Super Seal socket for positions light, left
 2 x Cable gland with grommet Ø4-6 mm
 2 x Cable gland with grommet 2 x Ø5,5 mm

099 864 151



Pass-through Junction box

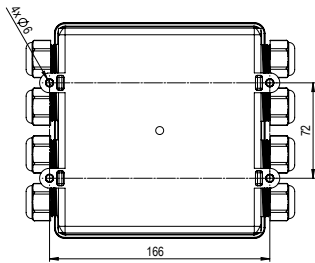
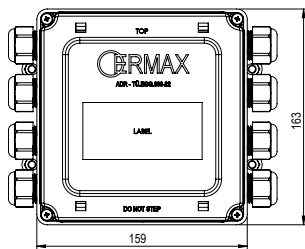
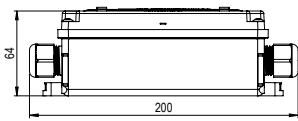
Application/ Description

Article No.

Junction box with cable
Housing of black polycarbonate
IP Rating: IP69K

Low version - Connections:

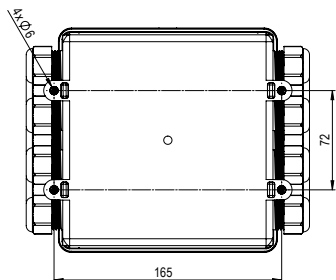
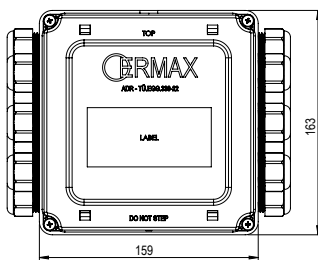
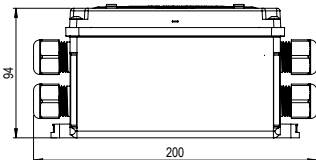
- Inlet: 15 pin Ermax socket, 500 mm cable
- Outlet: 15 pin Ermax plug, 500 mm cable
- Connection: 2 x Cable gland with grommet Ø4-6 mm
 4 x Cable gland with grommet 2 x Ø5,5 mm



099 864 150

High version - Connections:

- Inlet: 15 pin Ermax socket, 500 mm cable
- Outlet: 15 pin Ermax plug, 500 mm cable
- Connection: 6 x Cable gland with grommet Ø4-6 mm
 6 x Cable gland with grommet 2 x Ø5,5 mm



099 864 550

Rear connection Junction box

Application/ Description

Article No.

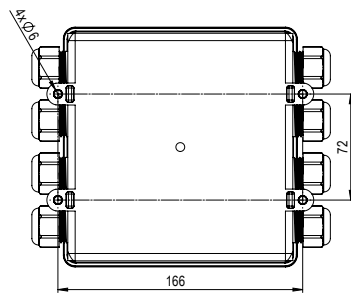
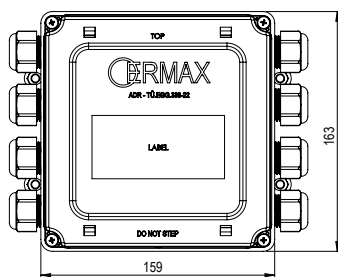
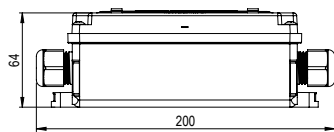
Junction box
Housing of black polycarbonate
IP Rating: IP69K

099 864 110

Low version - Connections:

Inlet: 15-polige Ermax Steckdose, 500 mm Kabel

- Connection:
- 1 x 7 pin AMP socket for right tail light
 - 1 x 7 pin AMP socket for left tail light
 - 1 x 2 pin Super Seal socket for right position light
 - 1 x 2 pin Super Seal socket for left position light
 - 1 x 2 pin Super Seal socket for reverse light
 - 1 x 2 pin Super Seal socket for rear fog light
 - 1 x Cable gland with grommet 2 x Ø5,5 mm

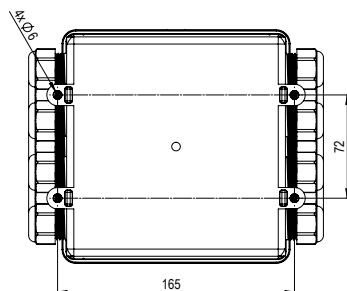
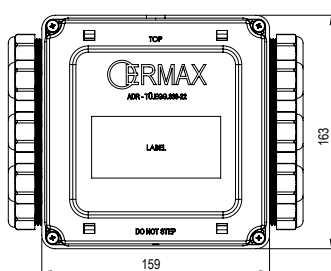
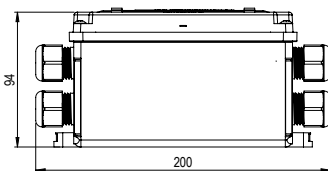


High version - Connections:

Inlet: 15-polige Ermax Steckdose, 500 mm Kabel

- Connection:
- 1 x 7 pin AMP socket for right tail light
 - 1 x 7 pin AMP socket for left tail light
 - 1 x 2 pin Super Seal socket for right position light
 - 1 x 2 pin Super Seal socket for left position light
 - 1 x 2 pin Super Seal socket for reverse light
 - 1 x 2 pin Super Seal socket for rear fog light
 - 1 x 2 pin Super Seal socket for stop light
 - 1 x 2 pin Super Seal socket for AUX 3
 - 1 x Cable gland with grommet 2 x Ø5,5 mm
 - 2 x Cable gland with grommet Ø4-6 mm
 - 2 x Cable gland with grommet Ø7-10 mm

099 864 510



Rear connection Junction box



Application/ Description

Article No.

Junction box with cable
Housing of black polycarbonate
IP Rating: IP69K

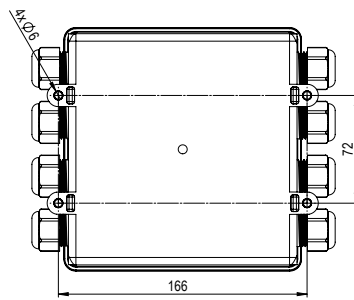
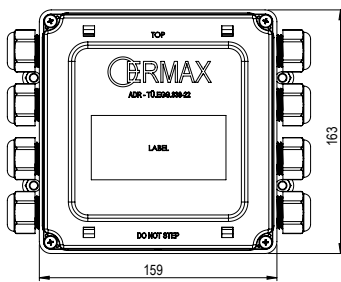
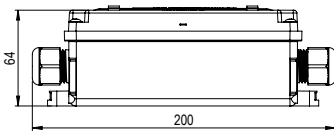
Low version - Connections:

Inlet: 15 pin Ermax socket, 500 mm cable

Outlet: 1 x 7 pin AMP plug on 1300mm cable for right tail light
 1 x 7 pin AMP plug on 1300mm cable for left tail light

Connection: 2 x Cable gland with grommet 2 x Ø5,5 mm
 2 x Cable gland with grommet 2 x Ø4-6 mm
 1 x Cable gland with grommet 2 x Ø7-10 mm

099 864 113



Rear connection Junction box



Application/ Description

Article No.

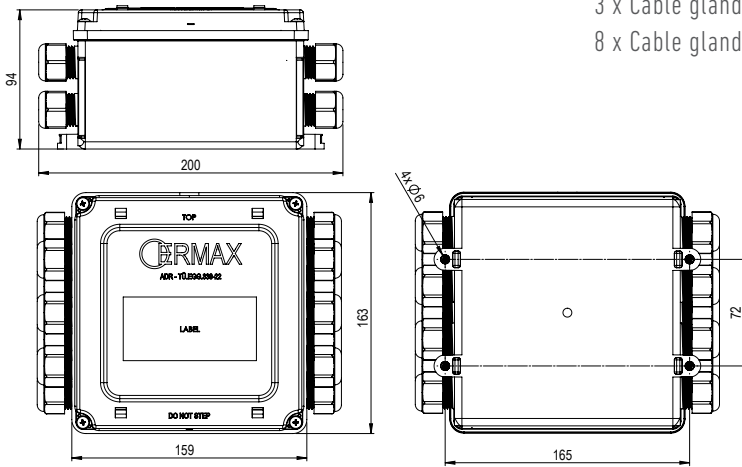
Junction box with cable
Housing of black polycarbonate
IP Rating: IP69K

High version - Connections:

Inlet: 15 pin Ermax socket, 500 mm cable

- Connection: 1 x 2 pin Super Seal socket for right position light
- 1 x 2 pin Super Seal socket for left position light
- 3 x Cable gland with grommet Ø4-6 mm
- 8 x Cable gland with grommet 2 x Ø5,5 mm

099 864 501



Rear connection Junction box

Application/ Description

Article No.

Junction box with cable
Housing of black polycarbonate
IP Rating: IP69K

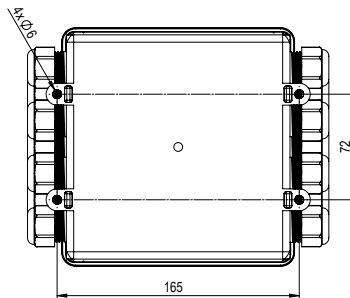
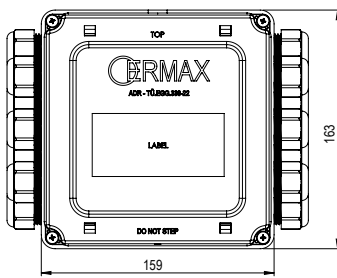
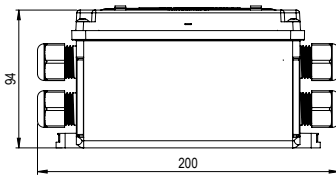
High version - Connections:

Inlet: 15 pin Ermax socket, 1500 mm cable

Outlet: 2 x 3 7-pin AMP plug, angled - 2100 mm cable for tail light
 RH +LH

Connection: 1 x 2 pin Super Seal socket for position light, right
 1 x 2 pin Super Seal socket for position light, left
 1 x 2 pin Super Seal socket for stop light
 1 x 2 pin Super Seal socket for reverse light
 1 x 2 pin Super Seal socket for rear fog light
 1 x 2 pin Super Seal stikdåse med AUX 3
 2 x Cable gland with grommet Ø7-11 mm
 2 x Cable gland with grommet Ø4-6 mm
 1 x Cable gland with grommet 2 x Ø5,5 mm

099 864 531



Rear connection Junction box with SIMAC

Application/ Description

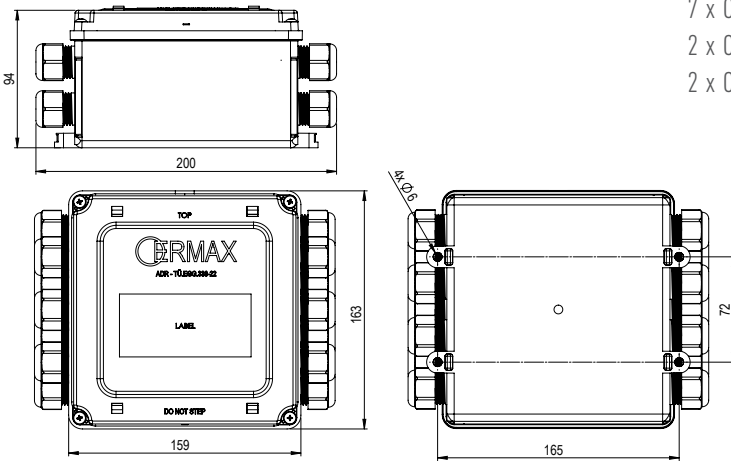
Article No.

Junction box with cable with SIMAC
Housing of black polycarbonate
IP Rating: IP69K

High version - Connections:

- Inlet: 15 pin Ermax socket, 500 mm cable
- Connection: 2 x 2 pin Super Seal socket with right/left SIMAC,
 7 x Cable gland with grommet 2 x Ø5,5 mm
 2 x Cable gland with grommet Ø4-6 mm
 2 x Cable gland with grommet Ø7-10 mm

0
 99 869 501



Rear connection Junction box with SIMAC

Application/ Description

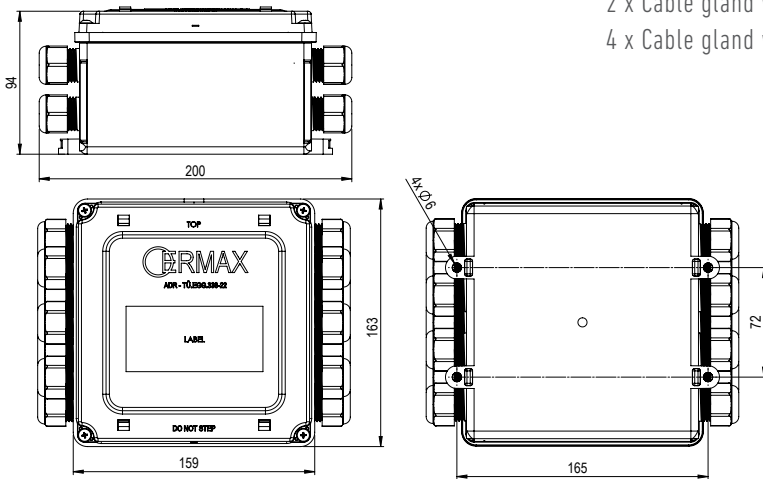
Article No.

Junction box with cable with SIMAC
Housing of black polycarbonate
IP Rating: IP69K

High version - Connections:

- Inlet: 15 pin Ermax socket, 1500 mm cable
- Connection: 2 x 2 pin Super Seal socket for left and right position light
- 2 x 2 pin Super Seal socket for left and right SIMAC
- 1 x 2 pin Super Seal socket for reverse light
- 1 x 2 pin Super Seal socket for fog light
- 1 x 2 pin Super Seal socket for stop light
- 2 x Cable gland with grommet Ø4-6 mm
- 4 x Cable gland with grommet 2 x Ø5,5 mm

099 869 506



Universal box

Application/ Description

Article No.

Universal box with clamp straps and plug cartridge
Housing of black polycarbonate
IP Rating: IP69K

High version - Connections:

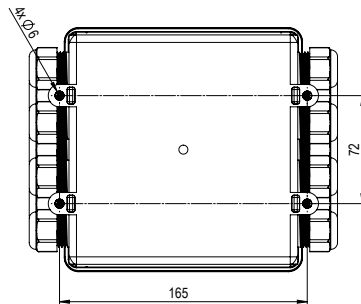
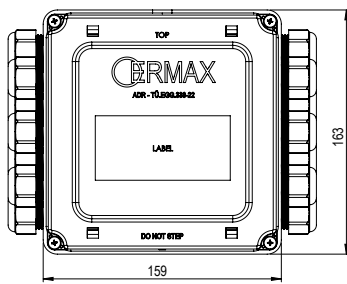
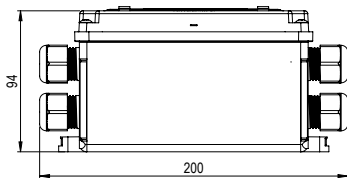
Additional inlets/outlets:

1 x Cable gland with grommet Ø11-13 mm

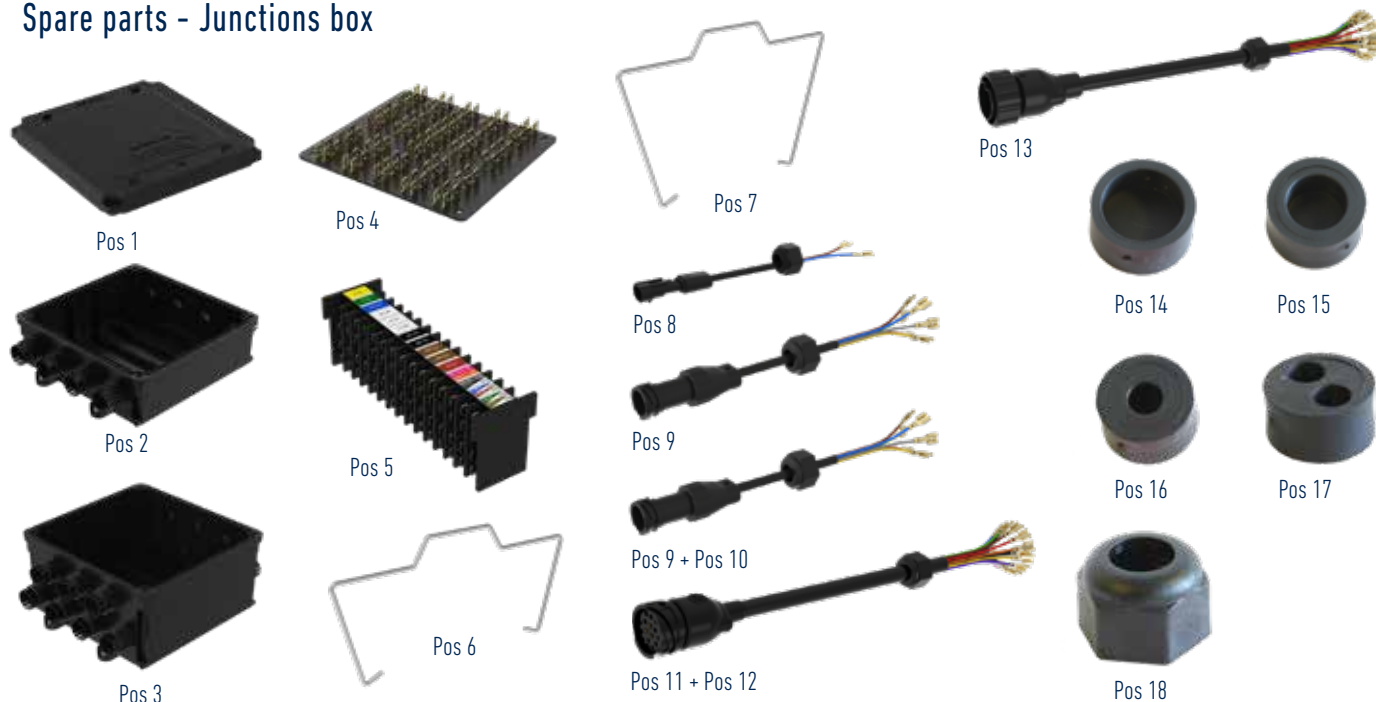
6 x Cable gland with grommet Ø4-6 mm

7 x Cable gland with grommet 2 x Ø5,5 mm

099 864 651



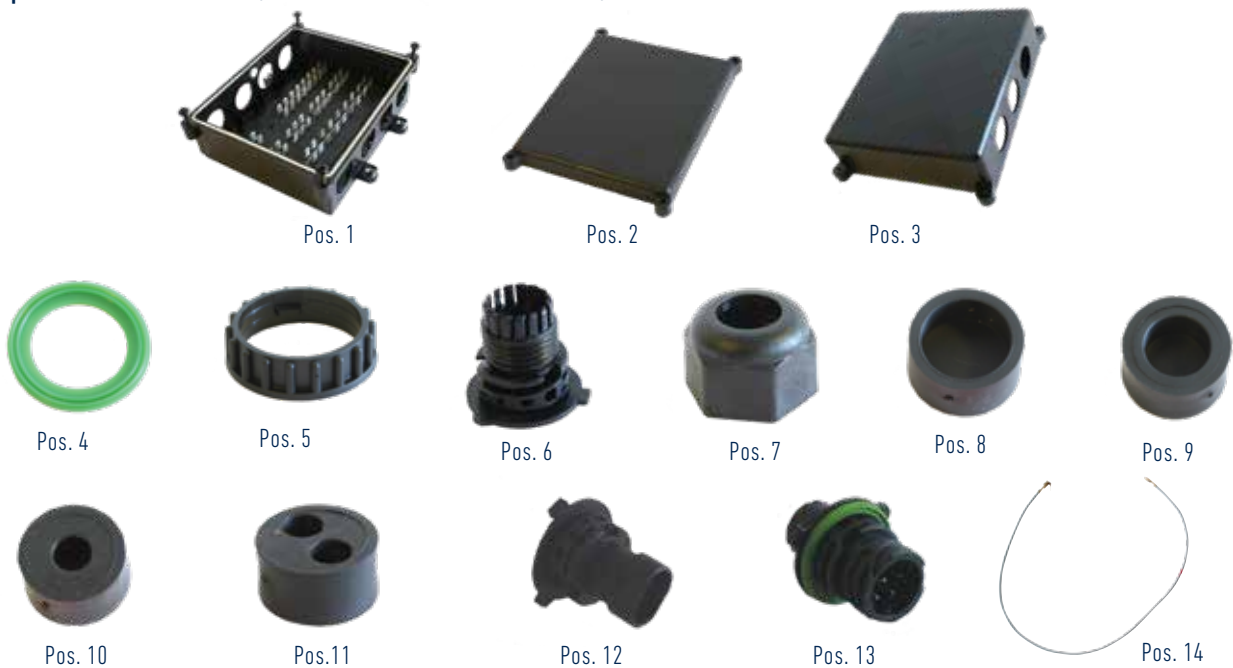
Spare parts - Junctions box



Spareparts / Accessories Ermax Junction box

Cover for junction box. Incl. Screws. Suitable for both the low and high version of the junction box. Measurements (H x W x L): 18 x 153 x 157 mm	1	099 110 800
Cover for junction box. Incl. Screws. Suitable for both the low and high version of the junction box. Measurements (H x W x L): 18 x 153 x 157 mm	2	099 110 801
Junction box, high version - without cover and cable glands. 14 cable inlets (without nuts and rubber grommets) 5 mounting grooves for self-tapping screws in the bottom.	3	099 110 802
Terminal board for junction box with 104 terminals. Suitable for both low and high version of the junction box. Incl. screws for installation.	4	099 110 803
Terminal cartridge for junction box, removable with 120 terminals.	5	099 110 804
Locking brace for junction box, low version. The locking brace is used to keep the cover in place on the junction box. 2 pcs per box is needed. Material: Stainless steel.	6	099 110 805
Locking brace for junction box, high version. The locking brace is used to keep the cover in place on the junction box. 2 pcs per box is needed. Material: Stainless steel.	7	099 110 806
Connection cable 300mm with Super Seal socket for junction box. Mounted with grommet 2 x Ø5,5 mm and nut for junction box. 200 mm stripped wire with blade receptacles.	8	099 110 820
Connection cable 300 mm with 7 pole AMP socket for junction box (6 x 1 mm ²). Mounted with grommet 2 x Ø4-6 mm and nut for junction box. 200 mm stripped wire with blade receptacles.	9	099 110 870
Connection cable 300 mm with 7 pole AMP socket for junction box (6 x 1 mm ² + 1 x 2,5 mm ²). Mounted with grommet 2 x Ø4-6 mm and nut for junction box. 200 mm stripped wire with blade receptacles.	10	099 110 875
Connection cable 700 mm with 15 pole Ermax socket for junction box. Mounted with grommet 2 x Ø11-13 mm and nut for junction box. 200 mm stripped wire with blade receptacles.	11	099 110 880
Connection cable 1700 mm with 15 pole Ermax socket for junction box. Mounted with grommet 2 x Ø11-13 mm and nut for junction box. 200 mm stripped wire with blade receptacles.	12	099 110 881
Connection cable 700 mm with 15 pole Ermax plug for junction box. Mounted with grommet 2 x Ø11-13 mm and nut for junction box. 200 mm stripped wire with blade receptacles.	13	099 110 885
Rubber sealing for cablegland housing in junction box Ø16/Ø13-11 mm	14	099 110 207
Rubber sealing for cablegland housing in junction box, Ø16/Ø10-7 mm	15	099 110 208
Rubber sealing for cablegland housing in junction box, Ø16/Ø6-4 mm	16	099 110 209
Rubber sealing for cablegland housing in junction box, Ø16/2 xØ5,5 mm	17	099 110 210
Nut for cablegland housing	18	099 110 206

Spare parts Junction box (Old version - Generation 1)

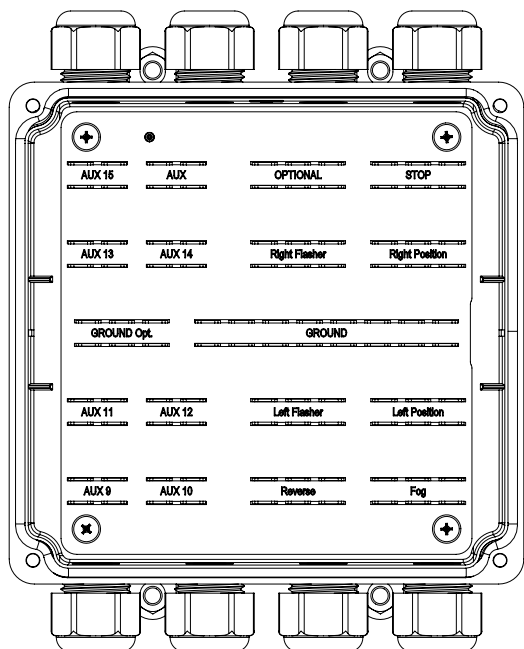


Spareparts / Accessories

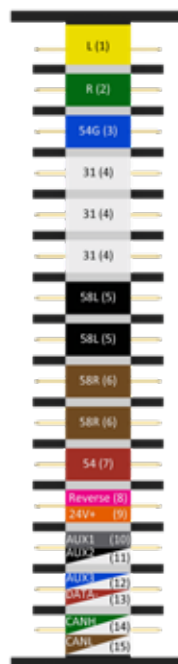
Junction box without cover and connection, 8 x connection possibilities, 158 x 143 mm	1	099 110 200
Cover for junction box, low version, 158 x 143 x 18 mm	2	099 110 201
Cover for junction box, high version, 158 x 143 x 45 mm	3	099 110 202
Seal for inlet-/outlet in junction box, Ø34 x Ø23 x 3 mm	4	099 110 203
Bayonet-ring for inlet / outlet	5	099 110 204
Cable gland M22/2,0	6	099 110 205
Nut for cable gland	7	099 110 206
Rubber blind for cable gland Ø13-11 mm	8	099 110 207
Rubber blind for cable gland, Ø11-7 mm	9	099 110 208
Rubber blind, for inlet / outlet - for cable Ø6-4 mm	10	099 110 209
Rubber blind for cable gland, Ø5,5 mm x 2	11	099 110 210
Super Seal socket with black and white (-) cable	12	099 110 211
7 poled AMP 1.5 socket	13	099 110 212
Heating cable (resistor) 24V with cable shoe - 5W. Length: 545 mm	14	093 865 125

Pin assignment

Connection ISO 12098 pin numbers / Number of spade terminals 6.3 x 0.6 mm



Terminal plate



Terminal block



	Position	Description	Pieces available on terminal plates	Pieces available on terminal block
ISO 12098	1	Left indicator	6 pcs.	8 pcs.
	2	Right indicator	6 pcs.	8 pcs.
	3	Rear fog light	6 pcs.	8 pcs.
	4	Mass (-)	16 pcs.	21 pcs.
	5	Left position	6 pcs.	14 pcs.
	6	Right position	6 pcs.	14 pcs.
	7	Brake light	6 pcs.	8 pcs.
	8	Reversing light	6 pcs.	4 pcs.
	9	Power supply, continuous positive	4 pcs.	4 pcs.
	10	AUX 1, wear display	4 pcs.	4 pcs.
	11	AUX 2, brake control for trailer	4 pcs.	4 pcs.
	12	AUX 3, lifting axle	4 pcs.	4 pcs.
	13	Mass for PINs 9-15 (ISO12098)	4 pcs.	4 pcs.
	14	CANH - data communication	4 pcs.	4 pcs.
	15	CANL - data communication	4 pcs.	4 pcs.
Additional groups		Mass (-) optional	6 pcs.	--
		AUX Optional	4 pcs.	--
			6 pcs.	--

SIMAC[®] Solutions

Control of flashing side marker lights



The ERMAX solution is called SIMAC®

Compliant to legislation with unique flexibility

Control of flashing side marker lights ECE 48 since November 2017

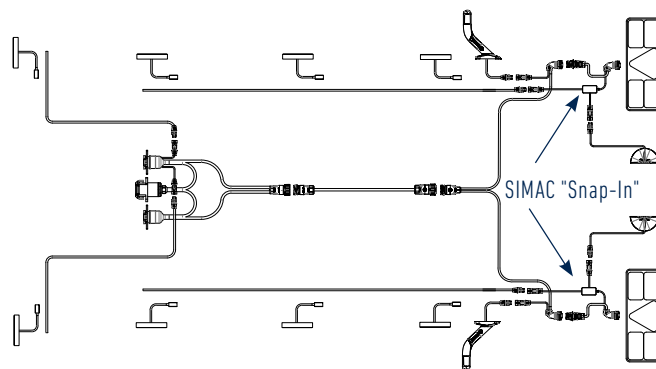
With the ECE regulation No. 48 (Changes series 06) it is prescribed that the side marker lights must flash synchronously and simultaneously with the direction indicators (in the tail light) – this is mandatory for vehicles – class 03 and 04 - being homologated after November 18 2017.

Ermax SIMAC® ensures the compliance with the legislation
– we will advise the optimal application

SIMAC: side marker light Control

SIMAC "Snap-In" Modul

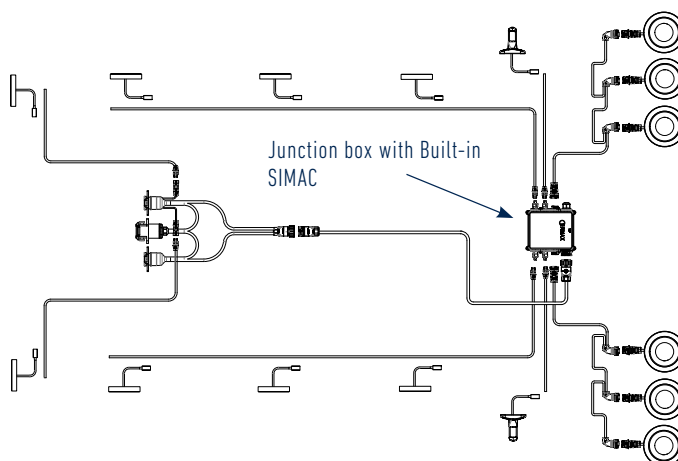
- Ideal for any application, even in retrofit
- The flexible solution in order to keep an existing kit configuration almost unchanged



Product information in the cable section

SIMAC integrated in the junction box

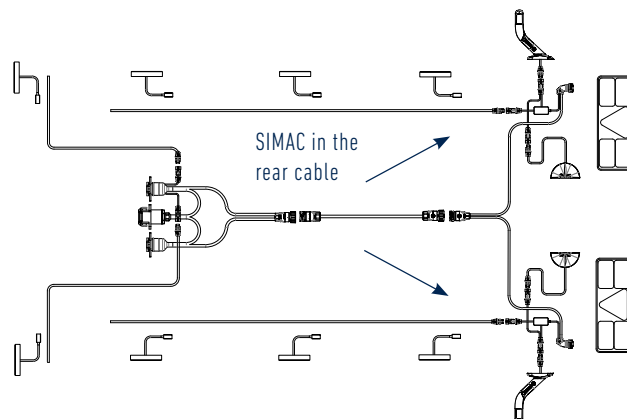
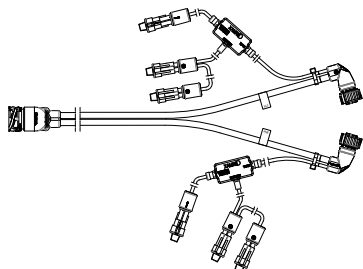
- Mounted in a secure and protected position with ideal plug connection to the system
- The best possible solution especially when 3 & 2 function lights are being used



Product information in the junction box section

SIMAC integrated in the rear cable

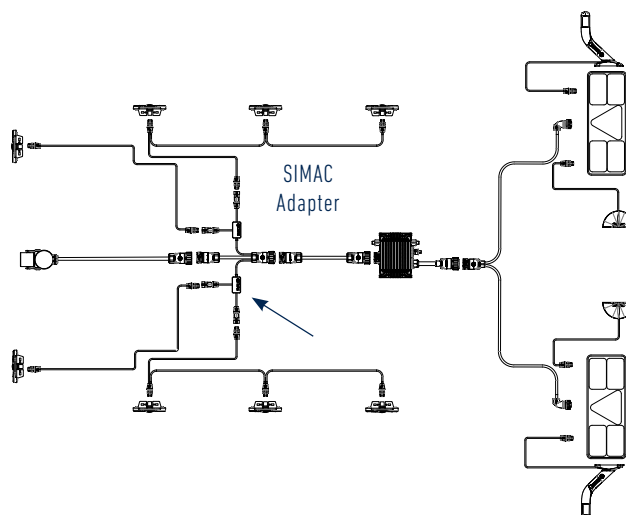
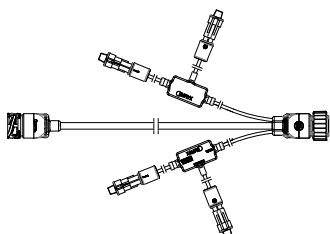
- Optimised design for easy mounting
- Ideal for the lean high-volume solution



Product information in the cable section

SIMAC as adapter in the main cable

- Allows mounting of side cables from front to back
- Recommendable when a LED control box is used in the cable system



Product information in the cable section

SIMAC in der tail light integrated

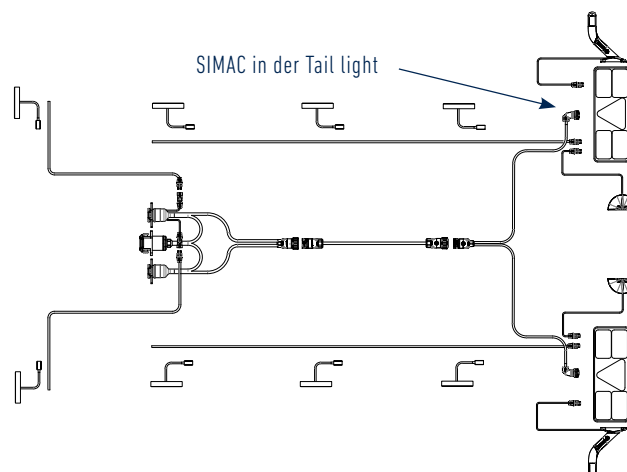
- The easy and ideal solution without external modules
- No further parts or components needed



TM10 LED



TM11 LED



Product information in the TM10 tail light section

INTERIOR LIGHTING

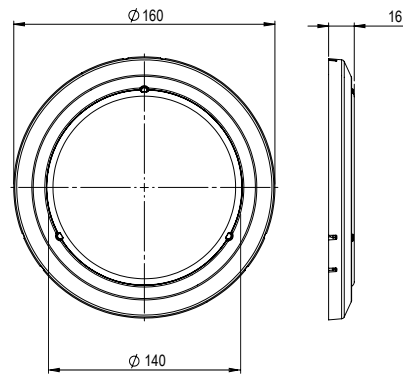


LED interior lights - Surface mounting and Built-in

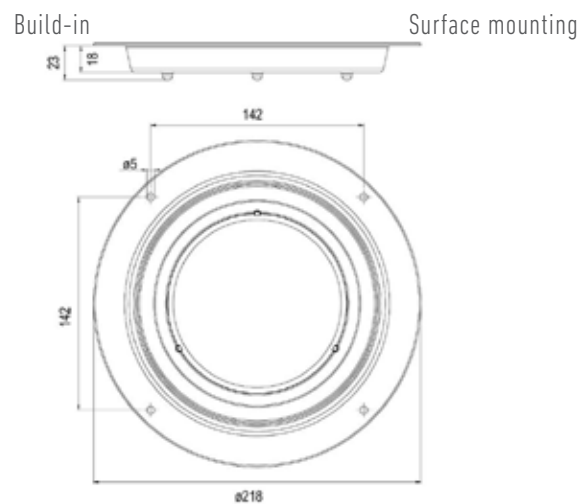
EMC



Surface



Built-in



Description

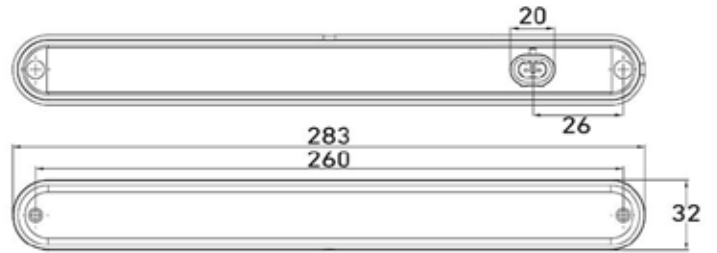
- Lens: Impact resistant polycarbonat
- Housing: Impact resistant polycarbonat
- Mounting holes: 4 pcs Ø5 mm - Ø201 mm (Built-in)
- Depth: 18 mm
- Mounting holes: 3 pcs Ø3,8 mm - Ø138 mm (Surface mounting)

Lighting	IP-Rating	Lumen	Dimension	Operating voltage	Surface mounting	Built-in	Connection	Article No.
LED	IP67	294	Ø160 x 15,7 mm	12/24V	ü		1.500 mm cable with Click-in	098 274 070
LED	IP67	294	Ø160 x 15,7 mm	12/24 V	ü		2.500 mm cable with Open end	098 274 071
LED	IP67	294	Ø218 x 20 mm	12/24V		ü	1.500 mm cable with Click-in	098 274 072
LED	IP67	294	Ø218 x 20 mm	12/24 V		ü	2.500 mm cable with Open end	098 274 073

Spare parts

Bowl for LED interior light, Dimension: : Built-in Ø175 mm, outside Ø218 mm	098 291 070
---	--------------------

LED interior lights - Surface mounting or Built-in

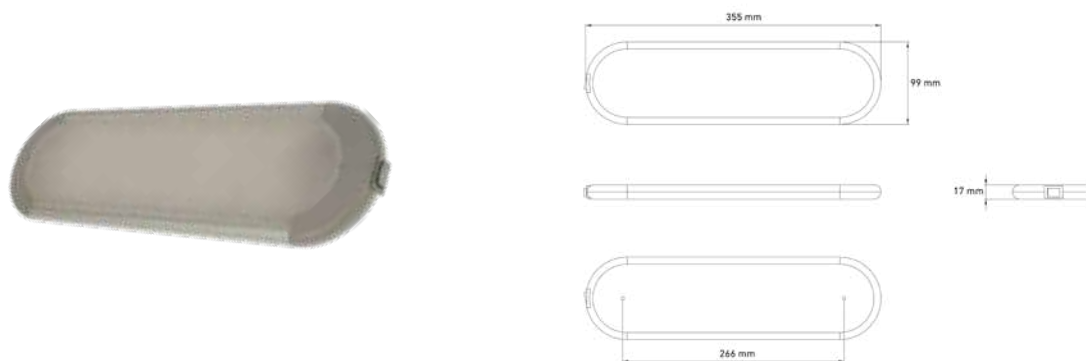


Description

Lens: PMMA
 Housing/holder: Polypropylen (PP)
 Dimension: 283 x 24 x 32 mm
 Bolt distance: 260 mm

Lighting	IP-Rating	Lumen	Dimension	Operating voltage	Surface mounting	Built-in	Connection	Article No.
LED	IP67	60	283 x 24 x 32 mm	24V	ü	ü	500 mm cable with Super Seal socket	098 274 725

LED interior lighting 12/24V



Description

Build-in switches with the choice between white or blue light (night -time drop)

Working temperature -30°C + 65°C

Bolt hole distance: 260 mm

Light source	IP Rating	Operation voltage	Lumen	Dimension	Surface mounting	Connection	Article No.
LED - 6	IP66	12/24V	60	355 x 99 x 32 mm	✓	300 mm cable open end	098 274 126

LED interior lighting Orizon 12V



Description

LED interior lighting for surface mounting

Suitable for interior light, glove- or toolbox light, floor-, or door light

Working temperature -30°C + 40°C

Light source	Colour	IP Rating	Operation voltage	Dimension	Connection	Article No.
18 x LED	Blue / White	IP54	12V	H 15 x B 34,5 mm	370 mm	098 274 218
30 x LED	Blue / White	IP54	12V	H 15 x B 34,5 mm	610 mm	098 274 230

WIDE LOADMARKER SIGNS



WIDE LOAD MARKER SIGN - Complete Kit-Set

Standardised Security

ERMAX have 2 Series of wide load marker sign kits making it possible to deliver standardised solutions covering almost every need. One Proff series and one ADR series.

The wide load marker signs – built of standard parts from the Ermax programme – are easy to mount and connect, and secure a simple operation and operational reliability in the daily work.

Both series are built up with a galvanized holder and a square pipe for fastening at the vehicle. The wide load marker sign is mounted with 3 flexible outer end marker lights with red, white and orange light. The lights are made of rubber and the LED-light- module is made of impact resistant polycarbonate which resists a tough environment and handling in the daily work.

The Proff series has a pipe piece (ISO 72591) for mounting and connecting of the warning light. The connection to the wide load marker signs are made by means of a 7-poled ISO 1724 socket. Thus, a standard coil cable ISO 1724 (e.g. Ermax article number 090 180 165) can be used for connection at the vehicle. It is a commercially available cable and not a special cable, which means that defective or approaching cables can be replaced quickly = shorter service life in case of defects.

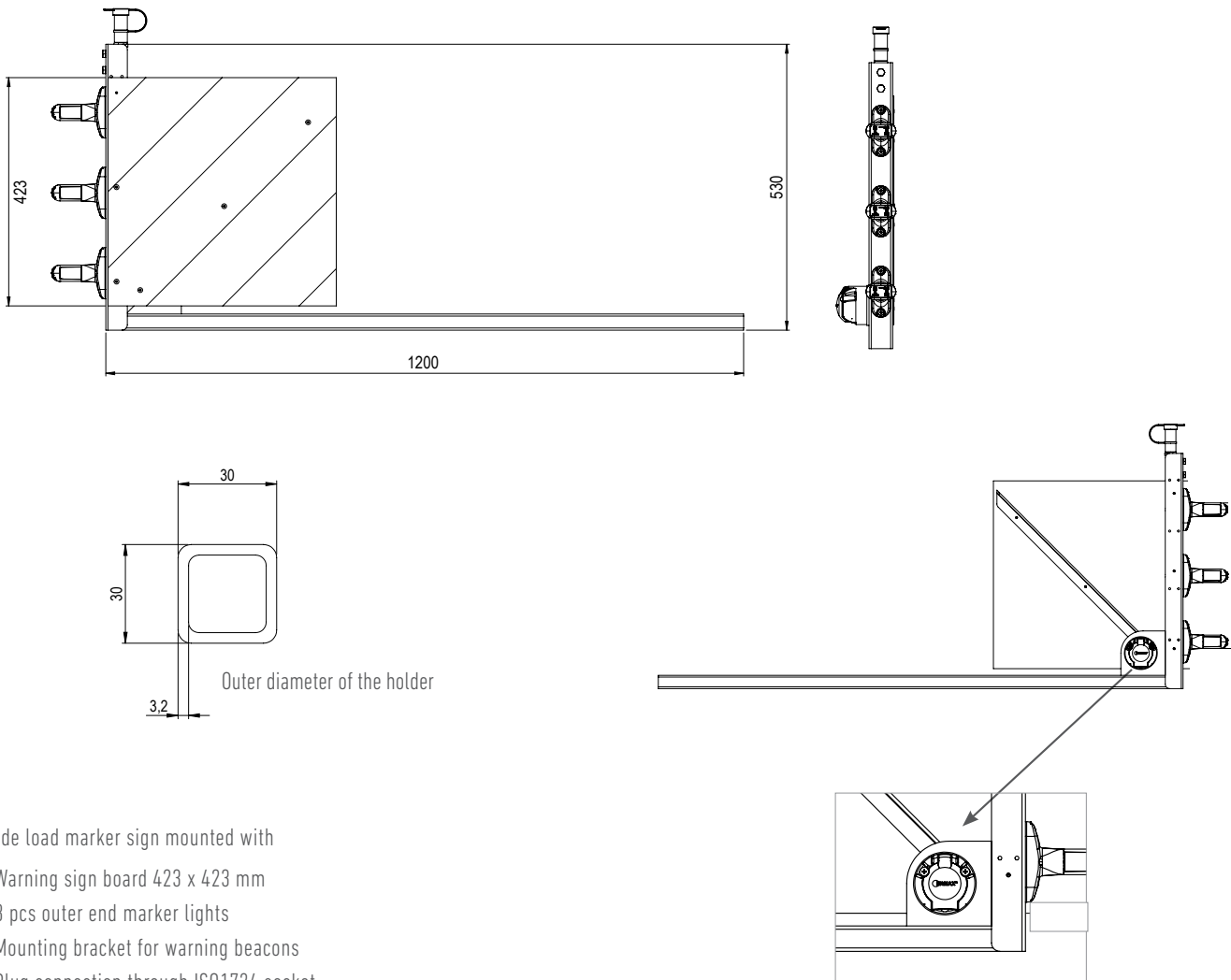
The ADR series is connected by means of a Super Seal plug, and the series is thus ADR approved in its basis configuration. Only the mounting of the warning light – due to the open plugs in the appurtenant connecting pipe – cannot be ADR approved.

For this series a coil cable (e.g. article number 994 030 300) can be used, which is connected to a corresponding Super Seal connection at the vehicle, which opens the possibility for mounting of further lights.



Wide load marker signs - Proff Series

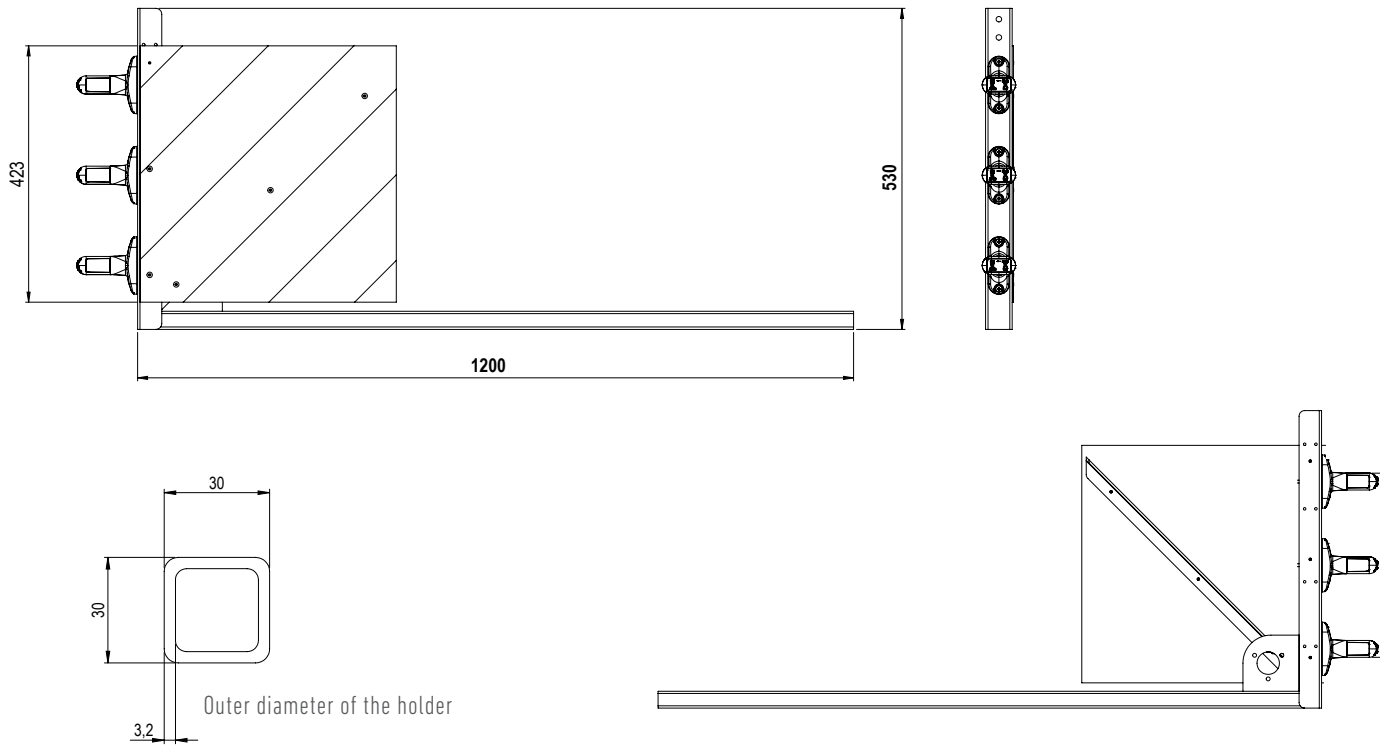
- with 7 poled ISO 1724 connection or 3 poled connection



- Wide load marker sign mounted with
- Warning sign board 423 x 423 mm
- 3 pcs outer end marker lights
- Mounting bracket for warning beacons
- Plug connection through ISO1724 socket

Placement	Dimension (L x B)	Material	Connection	Article No.	Connection	Article No.
Rear - left	1.200 x 530 mm	Hot-galvanized	7 poled socket ISO 1724	098 269 800	3 poled socket	098 269 801
Rear - right	1.200 x 530 mm	Hot-galvanized	7 poled socket ISO 1724	098 269 805	3 poled socket	098 269 806
Front - left	1.200 x 530 mm	Hot-galvanized	7 poled socket ISO 1724	098 269 810	3 poled socket	098 269 811
Front - right	1.200 x 530 mm	Hot-galvanized	7 poled socket ISO 1724	098 269 815	3 poled socket	098 269 816
Complete set consisting of the above 4 Wide load marker signs				098 269 820		098 269 821

Wide load marker signs - ADR Series



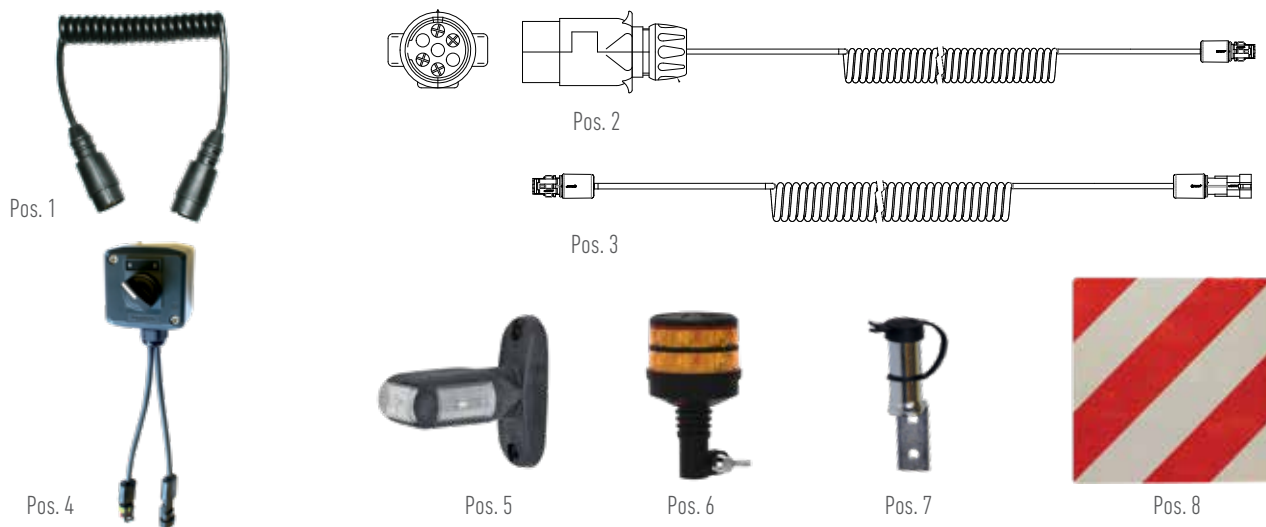
Wide load marker sign mounted with

- Warning sign board 423 x 423 mm
- 3 pcs outer end marker lights
- Connection with Super Seal socket

Placement	Dimension (L x B)	Material	Connection	Article No.
Rear - left	1.200 x 530 mm	Hot-galvanized	Super Seal socket	098 269 830
Rear - right	1.200 x 530 mm	Hot-galvanized	Super Seal socket	098 269 835
Front - left	1.200 x 530 mm	Hot-galvanized	Super Seal socket	098 269 840
Front - right	1.200 x 530 mm	Hot-galvanized	Super Seal socket	098 269 845

Complete kit of 4 Wide load marker signs consisting of 098 269 830 + 835 + 840 + 845	098 269 850
--	-------------

Wide load marker signs - Spare parts (S) & Accessories (A)

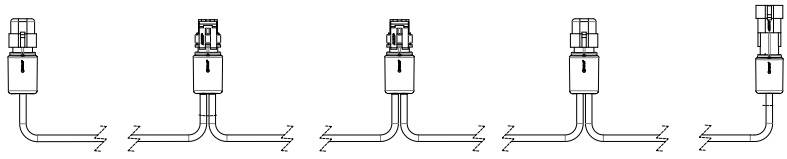
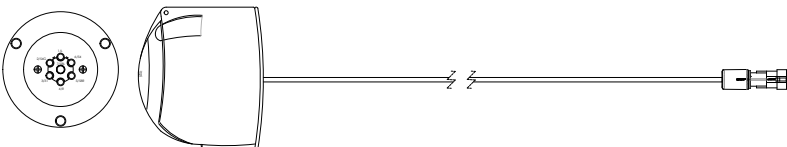
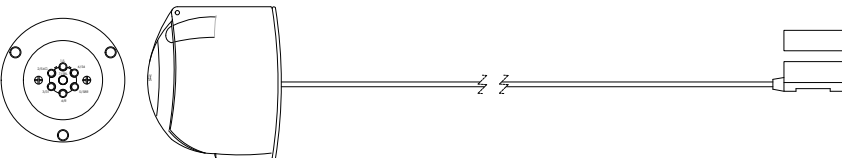


Proff Series	S / A	Pos.	
Coil cable 2x7 poled 1.500 mm - with ISO 1724 plug > ISO 1724 plug	A	1	090 180 165
Coil cable 3 core 1.500 mm - with 7 pole ISO 1724 plug > Super Seal plug	A	2	994 015 335
Coil cable 3 core 3.000 mm - with 7 pole ISO 1724 plug > Super Seal plug	A	2	994 030 335
On/off switch with 2x200 mm connection cable with Super Seal socket > plug	A	4	992 942 150
LED outer end marker - with 300 mm connection cable with Super Seal plug	S	5	098 241 218
Warning light LED 12-24V with for mounting bushes (see section with warning lights)	S	6	098 287 285
Mounting bracket, angled (no ADR approval)	S	7	098 295 562
Warning sign board - DIN 30710 one-sided aluminum, dimension: 423 x 423 (Right)	S	8	098 269 124
Warning sign board - DIN 30710 one-sided aluminum, dimension: 423 x 423 (Left)	S	8	098 269 126

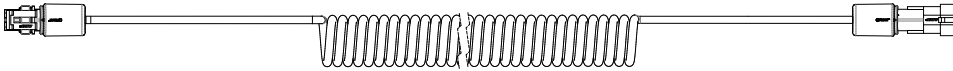
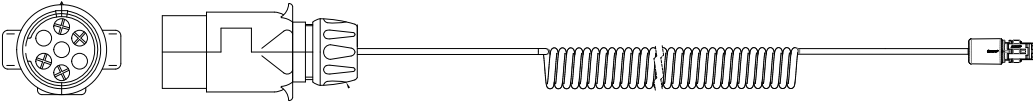



ADR Series	S / A	Pos.	
Coil cable 2 poled 3.000 mm - with Super Seal plug > Super Seal socket	A	3	994 030 300
On / off switch with 2x200 mm connection cable with Super Seal socket > plug	A	4	992 942 150
LED outer end marker - with 300 mm connection cable with Super Seal plug	S	5	098 241 218
Warning light LED 12-24V with for mounting bushes (see section with warning lights)	A	6	098 287 942
Mounting bracket, angled (no ADR approval)	A	7	098 295 562
Warning sign board - DIN 30710 one-sided aluminum, dimension: 423 x 423 (Right)	S	8	098 269 124
Warning sign board - DIN 30710 one-sided aluminum, dimension: 423 x 423 (Left)	S	8	098 269 126

Wide load marker signs - Accessories

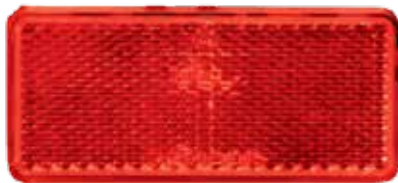


	Application/ Description	Article No.
	<p>Side cable, chain 1 x inlet with Super Seal socket and 4 x outlet with Super Seal plug Conductor cross-section: 2x1 mm² Cable type: FLRYY / PVC.</p> <p>800 mm distance between plugs: 200 mm</p> 	<p>694 008 401</p>
	<p>Connection cable Socket 7 core ISO 1724 > Super Seal socket, 2 core Conductor cross-section: 2x1mm² Cable type: FLRYY / PVC Outlets on 7 core plug:</p> <p>1.500 mm, 2 core Ground (pin L/1), R. Pos.(pin 58R/5), L. Pos. (pin 58L/7)</p> <p>1.500 mm, 2 core Ground (pin 31/3), R. Pos.(pin 58R/5), L. Pos. (pin 58L/7)</p> 	<p>994 015 245</p> <p>994 015 240</p>
	<p>Connection cable Socket 7 core ISO 1724 > Click-In adapter, 2 core Conductor cross-section: 2x1mm² Cable type: FLRYY / PVC Outlets on 7 pole socket: Ground (pin 31/3), RH. Pos. (pin 58R/5), LH. Pos (pin 58L/7)</p> <p>1.500 mm, 2 core Ground (pin L/1), R. Pos.(pin 58R/5), L. Pos. (pin 58L/7)</p> <p>1.500 mm, 2 core Ground (pin 31/3), R. Pos.(pin 58R/5), L. Pos. (pin 58L/7)</p> 	<p>994 015 275</p> <p>994 015 270</p>

Wide load marker signs - Accessories

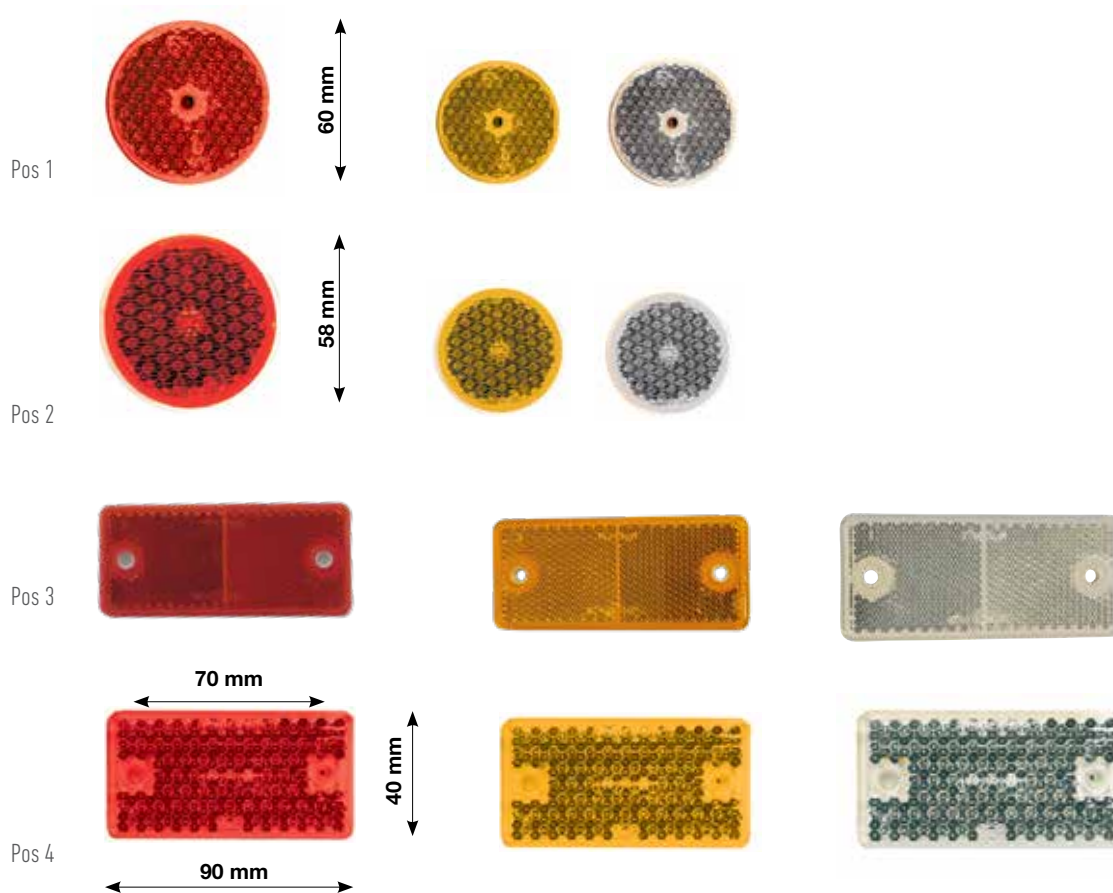
	Application/ Description	Article No.
	<p>Coil cable, 2 poled Super Seal plug, 2 core > Super Seal socket, 2 core Conductor cross-section: 3x1mm² Pin 2(+) connected to 2 cores in the coil cables Number of coils: 64</p> <p>1.500 mm - 2 core</p> <p>3.000 mm - 2 core</p>	<p>994 015 300</p> <p>994 030 300</p>
	<p>Coil cable, 3 poled Plug 7 core ISO 1724 > Super Seal plug, 2 core Conductor cross-section: 3x1mm² Number of coils: 64</p> <p>3.000 mm - Outlets on 7 core plug: Ground (pin L/1), R. pos. (pin 58R/5), L. pos. (pin 58L/7)</p> <p>1.500 mm - Outlets on 7 core plug: Ground (pin 31/3), R. Pos. (pin 58R/5), L. Pos. (pin 58L/7)</p> <p>3.000 mm - Outlets on 7 core plug: Ground (pin 31/3), R. Pos. (pin 58R/5), L. Pos. (pin 58L/7).</p>	<p>994 030 330</p> <p>994 015 335</p> <p>994 030 335</p>
	<p>Coil cable 2x7 poled ISO 1724 - 12V with ISO1724 Plug > ISO1724 Plug Conductor cross-section: 6x1,0 mm² + 1x1,5 mm²</p> <p>1.500 mm 7 core</p>	<p>090 180 165</p>
	<p>On / off switch</p> <p>2 x 200 mm Connection cable with Super Seal socket > plug</p>	<p>992 942 150</p> <p></p>
		

REFLEX REFLECTORS & WARNING SIGNS



Reflex reflector with and without self-adhesive back

E



Colour	Dimension	Hole/Screw	Self-adhesive	Packing units	Pos	Article No.
Red	Ø60 mm	Ø 6,3 mm		10	1	098 261 060
Yellow	Ø60 mm	Ø 6,3 mm		10	1	098 261 062
White	Ø 60 mm	Ø 6,3 mm		10	1	098 261 064
Red	Ø58 mm		✓	10	2	098 262 061
Yellow	Ø58 mm		✓	10	2	098 262 063
White	Ø58 mm		✓	10	2	098 262 065
Red	90 x 40 mm	Ø 4,3 mm/2 x 4 mm M5		10	3	098 264 120
Yellow	90 x 40 mm	Ø 4,3 mm/2 x 4 mm M5		10	3	098 264 122
White	90 x 40 mm	Ø 4,3 mm/2 x 4 mm M5		10	3	098 264 124
Red	90 x 40 mm		✓	10	3	098 265 130
Yellow	90 x 40 mm		✓	10	3	098 265 132
White	90 x 40 mm		✓	10	3	098 265 134

Reflex reflector



Colour	Dimension	Hole/Screw	Self-adhesive	Packing units	Pos	Article No.
Red	90 x 40 mm		✓	10	1	098 265 140
Yellow	90 x 40 mm		✓	10	2	098 265 142
White	90 x 40 mm		✓	10	3	098 265 144
Yellow	105 x 48 mm		✓	10	2	098 265 152

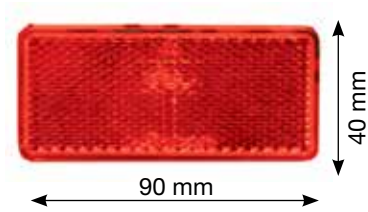
Contour marking



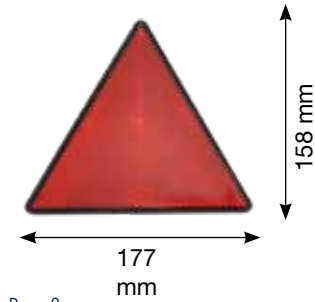
Colour	Self-adhesive contour marking, for rigid sides	Packing units	Artikel-Nr.
Red	50 m x 55 mm	50 meters per roll	098 269 200
White	50 m x 55 mm	50 meters per roll	098 269 204

Reflex reflector

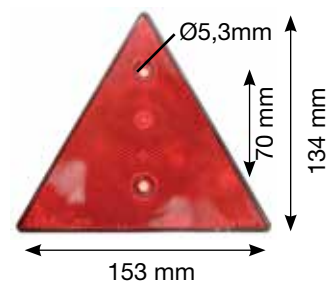
E



Pos. 1



Pos. 2

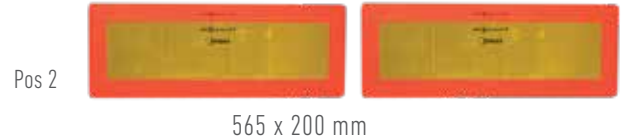


Pos. 3

Colour	Dimension	Hole/Screw	Self-adhesive	Packing units	Pos	Article No.
Red	90 x 40 mm		✓	10 pcs	1	098 165 140
Yellow	90 x 40 mm		✓	10 pcs	1	098 265 142
White	90 x 40 mm		✓	10 pcs	1	098 265 144
Red	177 x 158 mm	2 x M5		1 pcs	2	098 267 605
Black impact resistant plastic base plate						
Red	158 x 140 mm	Ø 5,3 mm		10 pcs	3	098 267 610

Reflex marker board for trailer

ECE R 70.01 (E)



Aluminum plate	Self-adhesive folie	Packing units	Pos	Article No.
1130 x 200 mm		1	1	098 269 417
	1130 x 200 mm	1	1	098 269 412
565 x 200 mm		2	2	098 269 419
	565 x 200 mm	2	2	098 269 414
285 x 200 mm		4	3	098 269 421
	285 x 200 mm	4	3	098 269 416

Reflex marker board for truck

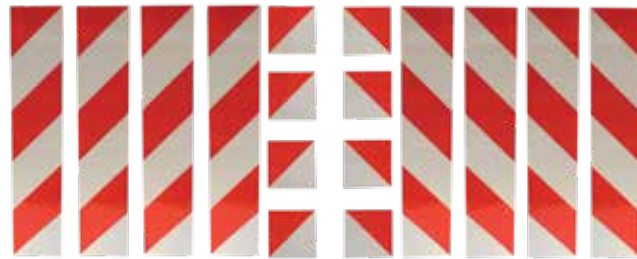
ECE R 70.01 (E)



Aluminum plate	Self-adhesive folie	Packing units	Pos	Article No.
1130 x 132 mm		1	1	098 269 407
	1130 x 132 mm	1	1	098 269 402
565 x 132 mm		2	2	098 269 409
	565 x 132 mm	2	2	098 269 404
285 x 132 mm		4	3	098 269 410
	285 x 132 mm	4	3	098 269 406

Container-reflex marking set

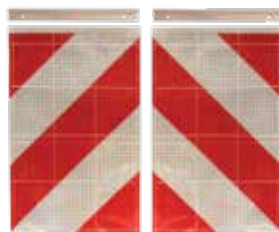
E



Self-adhesive folie	Self-adhesive folie	Packing units	Article No.
700 x 140 mm - 8	140 x 140 mm - 8	1	098 269 160

Lift flag with aluminum holder

E



To be used for tail board (side board) according to StVZO § 53b Abs
 Supplied with 2 pcs. aluminum holders

Colour	Dimension	Packing units	Placement	Article No.
Red / White	400 x 250 - 2	2 pcs	Set with left and right indicator	098 269 175

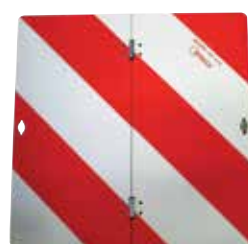
Warning sign



Pos 1



Pos 2



Pos 3



Pos 4

DIN Norm		Dimension (L x B)	Material	Foldable	Packing units	Placement	Pos	Article No.
DIN 11030	One-sided	423 x 423 mm	Aluminum plate	---	1	Left / Right	1	098 269 122
DIN 11030	One-sided	423 x 423 mm	Zinc plated Steel plate	Vertical	1	Left	2	098 269 127
DIN 11030	One-sided	423 x 423 mm	Zinc plated Steel plate	Vertical	1	Right	3	098 269 128
DIN 11030	Double-sided	423 x 423 mm	Zinc plated Steel plate	Vertical	1	Left / Right	4	098 269 125

Reflex band Red/White 5cmx20m

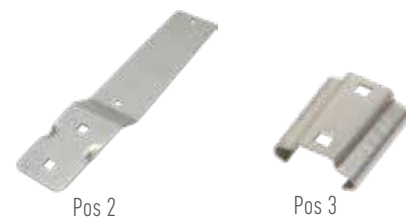
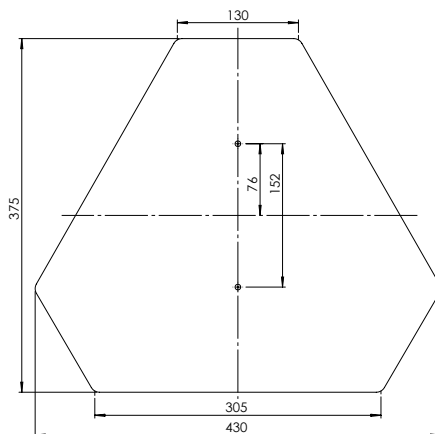


Placement	Dimension	Self-adhesive	Article No.
Leftsetting / LH	20 m x 5 cm	✓	098 269 205
Rightsetting / RH	20 m x 5 cm	✓	098 269 206

Warning sign - Triangle reflex reflector



Pos 1



Pos 2

Pos 3



Pos 4

Pos 2 - Packed in a plastic bag

Triangle		Dimension (H x B)	Material	Packing units	Mounting	Bolt hole distance	Pos	Article No.
SMV	One-sided	375 x 430 mm	Folie	1	Self-adhesive	---	1	098 269 951
SMV	One-sided	375 x 430 mm	Aluminum plate	1	Screw	152 mm	1	098 269 952
SMV	One-sided	375 x 430 mm	Red impact resistant plastic base sheet	1	Screw	152 mm	1	098 269 960

Spare parts

Mounting bracket for triangle reflex reflector, male-model, with 2 mounting holes 6,5 mm, Length 170 mm Packing units - 5	2	098 269 956
Mounting bracket for triangle reflex reflector, female-model, with 2 mounting holes 6,5 mm, Length 62 mm Packing units - 5	3	098 269 957
Mounting bracket for triangle reflex reflector, male/female kit, with 2 mounting holes 6,5 mm, Length 62 mm Packing units - 5	4	098 269 959

SIGNS



Speed boards/signs

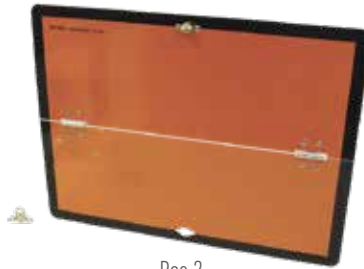


Self-adhesive	Variant	Dimension	Article No.
✓	60 Km	Ø 210 mm	959 401 276
✓	70 Km	Ø 210 mm	959 401 277
✓	80 Km	Ø 210 mm	959 401 278

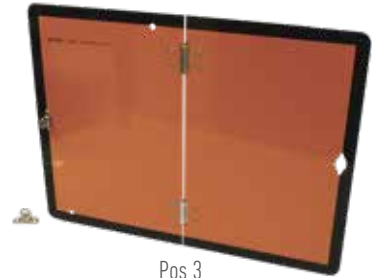
Danger signs



Pos 1



Pos 2



Pos 3



Pos 4



Pos 5

	Dimension (L x B x T)	Material	Foldable	Packing units	Pos	Article No.
One-sided	400 x300 1,5 mm	Zinc plated Steel plate	---	1	1	093 199 268
One-sided	400 x300 1,5 mm	Aluminum plate	Horizontal	1	2	093 199 269
One-sided	400 x300 1,5 mm	Aluminum plate	Vertical	1	3	093 199 270

Spare parts

Holding plate with safety lock: Stainless steel - Suitable for 093 199 268 Dimension: Length: 405 mm / width: 310 mm	4	093 199 267
Thumb turn for marker, stainless steel Dimension: 11 x 15 mm	5	093 199 279

PLUG & ADAPTER CABLES



Loose plugs



Plug type	Yellow Rubber grommet	Pol	Cable shoe	Red end Position-Rubber grommet	Pos.	Article No.
Super Seal plug	Ø 1,8 - 2,4 mm	2	Plug grommet 0,5 - 1,0 mm ²		1	099 110 019
Super Seal socket	Ø 1,8 - 2,4 mm	2	Plug 0,5 - 1,0 mm ²		2	099 110 018
Super Seal plug with blind seals	Ø 1,8 - 2,4 mm	2	10 pcs. pr. plastic bag		3	099 110 024
Super Seal plug incl. blanking plug	Ø 1,8 - 2,4 mm	3	Plug grommet 0,5 - 1,0 mm ²	P	4	099 111 102
Super Seal socket incl. blanking plug	Ø 1,8 - 2,4 mm	3	Plug grommet 0,5 - 1,0 mm ²	P	5	099 111 103
Super Seal plug	Ø 1,8 - 2,4 mm	4	Plug grommet 0,5 - 1,0 mm ²	P	6	099 111 032
Super Seal socket	Ø 1,8 - 2,4 mm	4	Plug grommet 0,5 - 1,0 mm ²	P	7	099 111 026

Accessories

Rubber grommet for 2 poled Super Seal plug					8	099 110 712
Rubber grommet for 3 poled Super Seal plug					9	099 110 713
Rubber grommet for 4 poled Super Seal plug					10	099 110 714
T-coupling for 2 poled Super seal plug (3 sockets)					11	099 111 415
Blanking plugs for 2 poled Super Seal socket - black plastic					12	099 110 028
Blanking plugs for 2 poled Super Seal plug - black plastic					13	099 110 029
Blanking plugs for 3 poled Super Seal plug - black plastic					14	099 110 039
Blanking plugs for 15 poled Bajonet socket						099 110 025

Loose plugs & blanking plugs



Plug type	Pol	Rund Plug grommet	Blue* Rubber grommet	White Rubber grommet	Clear Position-Rubber grommet	Pos.	Article No.
AMP 1.5 socket Straight	4	1,0-2,5mm ²	Ø1,2-2,1 mm (Yellow)			1	099 110 468
AMP 1.5 socket Angled	4	0,5-1,0 mm ²	Ø1,2-2,1 mm (Grey)		P	2	099 110 469
AMP 1,5 plug Straight	7	0,5 - 1,0 mm ² 1,0 - 2,5 mm ²	Ø 1,2 - 2,1 mm	Ø 2,2 - 3,0 mm	P	3	099 111 481
AMP 1,5 plug angled	7	0,5 - 1,0 mm ² 1,0 - 2,5 mm ²	Ø 1,2 - 2,1 mm	Ø 2,2 - 3,0 mm	P	4	099 111 485
AMP 1,5 socket Straight	7	0,5 - 1,0 mm ² 1,0 - 2,5 mm ²	Ø 1,2 - 2,1 mm	Ø 2,2 - 3,0 mm	P	5	099 111 541

Accessories

Rubber grommet for 7- and 4-poled AMP plug/socket - with cable inlet Ø5,8 mm	6	099 110 715
Rubber grommet for 7- and 4-poled AMP plug/socket - With 2 x cable inlets Ø5,8 mm	7	099 110 716
Rubber grommet for 7- and 4-poled AMP plug/socket - With 2 x cable inlets - 1 x Ø5,8 mm / 1 x 5,5x3,3 mm for side cable	8	099 110 717
Blanking plugs for 7 poled AMP-socket Black plastic	9	099 110 023
Blanking plugs for 7 poled AMP plug with bayonet gland Black plastic	10	099 110 026
Blanking plugs for 15 pole bayonet socket	11	099 110 025

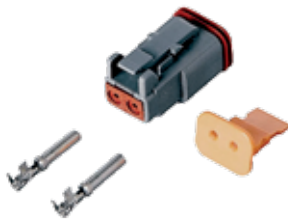
Loose plugs



Pos 1



Pos 2



Pos 3



Pos 4

Plug type	Suitable for Tail lights	Pos	Article No.
7 poled plug, angled		2	098 291 300
2 poled "Deutsch" plug		3	098 291 690
Adapter dual Click-in 1,5 mm ² incl. clips (2 pcs)	1,5 mm ² flat cabel for connecting 2 flat cables	4	099 110 032

Adapter cable



Adapter cable for Ermax tail lights
Cable type: FLRY

Connection	Cable length	Conductor cross-section		Pos	Article No.
Aspöck ASS2 7 poled socket > 7 poled AMP 1.5 bayonet plug, angled	200 mm	5x1 mm ² + 1x2,5 mm ²	Left	1	994 002 062
Aspöck ASS2 7 poled socket > 7 poled AMP 1.5 bayonet plug, angled	200 mm	5x1 mm ² + 1x2,5 mm ²	Right	1	994 002 063
Hella 7 poled plug > 7 poled AMP 1.5 bayonet plug	300 mm	6x1 mm ²	Left / Right	2	994 003 064
Hella 15 poled plug > Ermax 15 poled bayonet plug	200 mm	12x1 mm ² + 3x2,5 mm ²	---	3	994 002 151
Aspöck ASS3 17 poled plug > Ermax 15 poled bayonet plug	200 mm	12x1 mm ² + 3x2,5 mm ²	---	4	994 002 150

BULB HOLDER



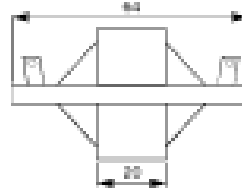
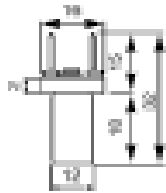
Bulb holder, metal



Pos 1



Pos 2



Material	Socket	Pos	Article No.
Bulb holder, plastic	BA9s	1	098 291 813
Bulb holder, plastic for 2 bulbs	BA15s	2	098 291 166

LIGHTING SOURCES



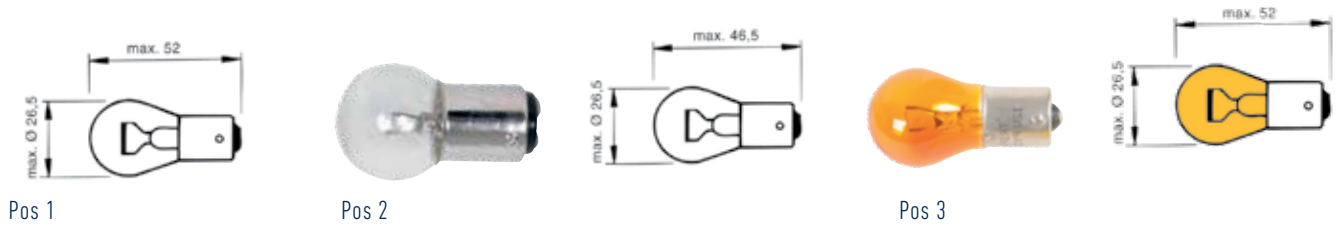
Bulb / LED



The bulbs / LED have no E-approval

Operation voltage	Consumption	Colour	Socket	Suitable for Phillips	Article No.
12 V	0,5 W		BA 15s	12821 (5 W)	092 612 016
24 V	0,5 W	Orange	BA 15s	13821 (5 W)	092 624 217
24 V	0,5 W	Red	BA 15s	13821 (5 W)	092 624 117
24V	0,5 W		BA 15s	13821 (5 W)	092 624 017
12 V	1,7 W		BA 15s	13498 (21 W)	092 612 011
24 V	1,4 W	Orange	BA 15s	13498 (21 W)	092 624 212
24 V	1,4 W	Red	BA 15s	13498 (21 W)	092 624 112
24 V	0,29 W		BA9s	13929 (21/5 W)	092 724 018
24 V	0,42 W		W2, 1x9,5d	13256-13961(3-5 W)	092 724 037
12 V	0,5 W		SV8,5	12844 (5 W)	092 812 027
12 V	0,6 W		SV8,5	12866 (10 W)	092 812 025
24 V	0,7 W		SV8,5	13866 (10 W)	092 824 026

Stop and flash light



Socket	Pos	Consumption	Operation voltage	Suitable for Osram	Suitable for Phillips	Article No.
BA15s	1	21 W	12 V	7506	12498	091 612 010
BA15s	1	18 W	24 V	7535	13445	091 624 061
BA15s	1	21 W	24 V	7511	13498	091 624 011
BA15s HD	1	21 W	24 V	9511	13498 HD	091 624 071

BA15s	2	15 W	24 V	7529	13401	091 624 124
BA15d**	2	21 W	24 V	7512	13422	091 624 159

With amber glass for clear flash lights						
BAU15s	3	21 W	12 V	7507	12496	091 612 084
BAU15s	3	21 W	24 V	-	13496	091 624 077
BAU15s	3	21 W	24 V	9507	13496 HDDLL	091 624 078

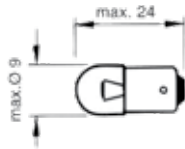
Stop and tail light



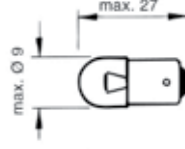
Socket	Consumption	Operation voltage	E-approved	Suitable for Osram	Suitable for Phillips	Article No.
BAZ15d	21 / 5 W	12 V	Ⓔ	7528	12499	091 612 008
BAZ15d (MAN 81.25901.0101)	21 / 4 W	24 V		-	-	091 624 185
BAZ15d	21 / 5 W	24 V	Ⓔ	7537	13499	091 624 009

Position-, parking- and flash light

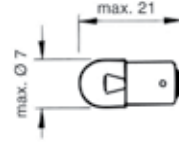
Pos 1



Pos 2



Pos 3

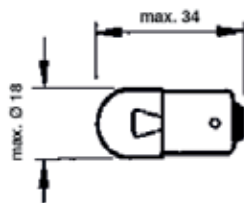


Socket	E-approved	Pos	Consumption	Operation voltage	Suitable for Osram	Suitable for Phillips	Article No.
BA9s		1	2 W	24 V	3797	13913	091 724 029
BA9s	Ⓔ	2	4 W	12 V	9511	13498 HD	091 712 016
BA9s	Ⓔ	2	4 W	24 V			091 724 017
BA9s HD	Ⓔ	2	4 W	24 V	7432	12422	091 724 074
BA7s	Ⓔ	3	3 W	24 V			091 724 019

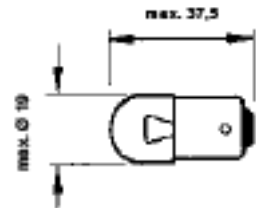
Position- and license plate light



Pos 1

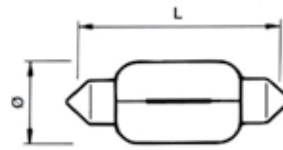


Pos 2



Socket	E-approved	Pos	Consumption	Operation voltage	Suitable for Osram	Suitable for Phillips	Article No.
BA15s	Ⓔ	1	5 W	12 V	5007	12821	091 612 014
BA15s	Ⓔ	1	10 W	12 V	5008	12814	091 612 012
BA15s	Ⓔ	1	5 W	24 V	5627	13821	091 624 015
BA15s HD	Ⓔ	1	5 W	24 V	9627	13821 HD	091 624 075
BA15s	Ⓔ	1	10 W	24 V	5637	13814	091 624 013
BA15s HD	Ⓔ	1	10 W	24 V	9637	13814 HD	091 624 072
BA15d	Ⓔ	2	5 W	24 V	5626	13822	091 624 125

Safittel light



Socket	E-approved	Ø x L	Consumption	Operation voltage	Suitable for Osram	Suitable for Phillips	Article No.
SV8,5-8	Ⓔ	11 x 27 mm	10W	12V	6438	12860	091 812 130
SV7,0-8		8 x 28 mm	3W	12V	6428	12818	091 812 068
SV8,5-8		11 x 36 mm	5W	12V	6418	12844	091 812 026
SV8,5-8		11 x 41 mm	5W	12V	6413	12864	091 812 066
SV8,5-8		11 x 41 mm	10W	12V	6411	12866	091 812 024
SV7,0-8	Ⓔ	8 X 28 mm	3W	24V	6430	13842	091 824 069
SV8,5-8		11x 36 mm	5W	24V	6423	13844	091 824 027
SV8,5-8		11 x 36 mm	10W	24V	-	13854	091 824 065
SV8,5-8		11 x 41 mm	5W	24V	6424	13864	091 824 067
SV8,5-8		11 x 41 mm	10W	24V	6429	13866	091 824 025
SV8,5-8		15 x 41 mm	15W	24V	6453	13850	091 824 112

Instrument bulb with plastic socket



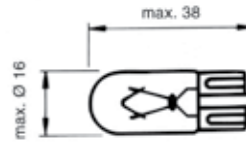
Pos 1



Pos 2



Pos 3



	Pos	Consumption	Operation voltage		Suitable for Osram	Suitable for Phillips	Article No.
W2,0x4,6d	2	1,2W	24 V	Ⓔ	2741	13516	091 724 023
W2,1x9,5d	3	3W	12 V	Ⓔ	2821	12256	091 712 020
W2,1x9,5d	3	5W	12 V	Ⓔ	2825	12961	091 712 033
W2,1x9,5d Long life	3	5W	12 V	Ⓔ	-	-	091 712 163
W2,1x9,5d amber/amber	3	5W	12 V	Ⓔ	2827	12396	091 712 085
W2,1x9,5d	3	3W	24 V	Ⓔ	2841	13256	091 724 021
W2,1x9,5d	3	5W	24 V	Ⓔ	2845	13961	091 724 036
W2,1x9,5d	4	16W	12 V				091 612 177

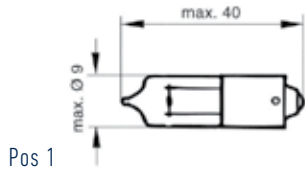
Instrument bulb with plastic socket



Pos 1

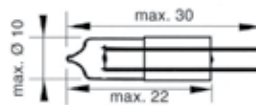
	Pos	Consumption	Operation voltage		Suitable for Osram	Suitable for Phillips	Article No.
B8,5d / BAX10d	3	1,2 W	24 V	Iveco, Man, Mercedes-Benz VDO 92 171 03 Motometer 64002 - 3810	2741MF	13598	091 724 030

Instrument bulb with plastic socket

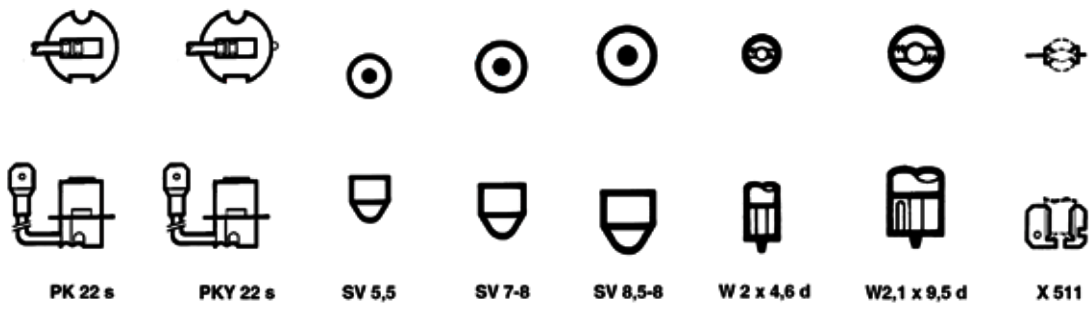
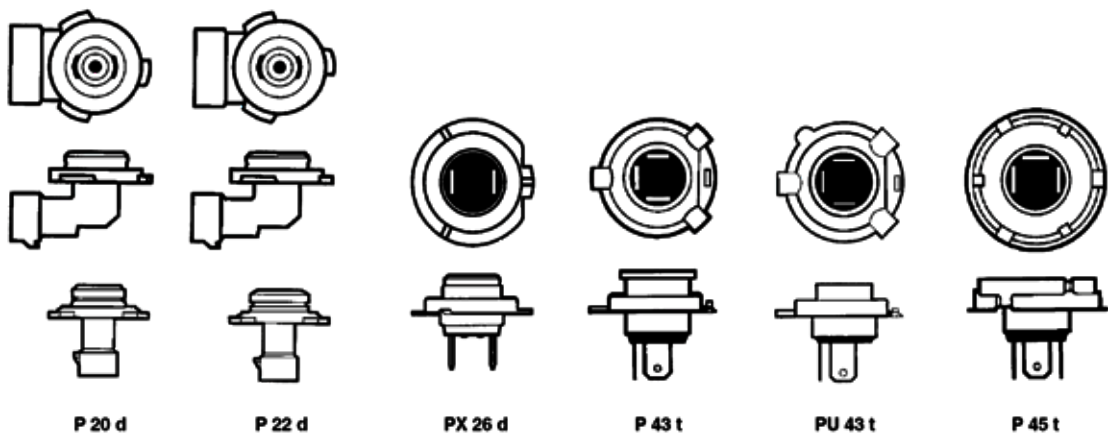
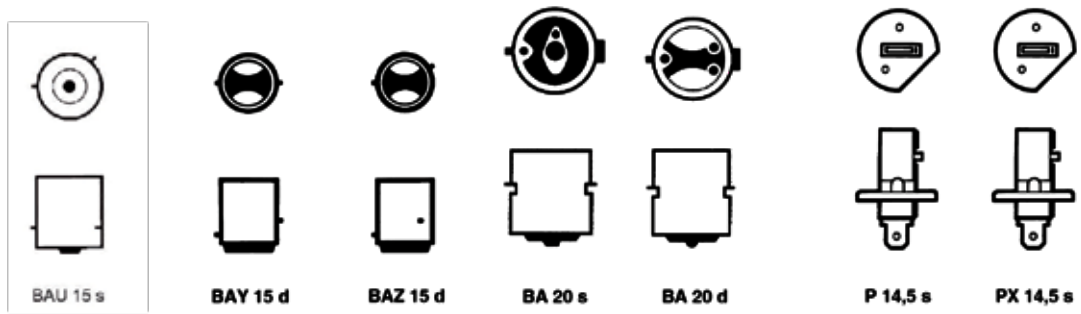
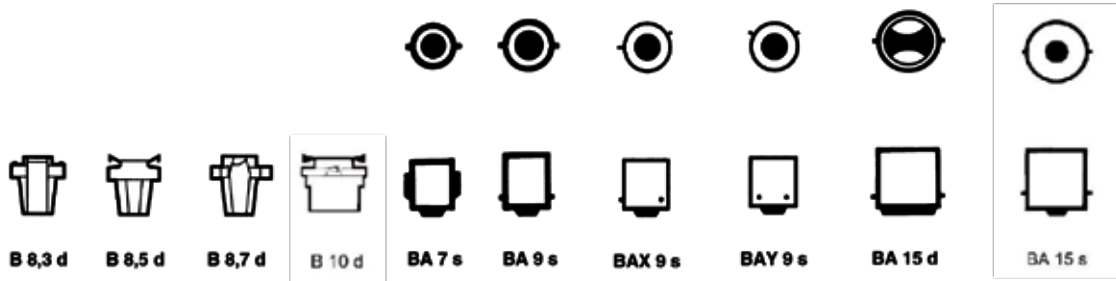


	Pos	Consumption	Operation voltage		Suitable for Osram	Suitable for Phillips	Article No.
BAY9s	1	21 W	24 V	Ⓔ	64138	13356	091 624 141

Auto



	Consumption	Operation-voltage		Suitable for Osram	Article No.
G4	10 W	24 W		64434	091 724 233



Brands of the BPW Group:



ERMAX®

HBN-Teknik A/S

HESTAL®

idem telematics

October 2023 • Version 5.0

ERMAX®

ERMAX A/S
Vranderupvej 2 • DK-6000 Kolding
Tel. +45 3969 6800 • www.ermax.dk